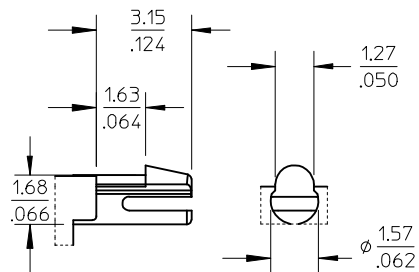
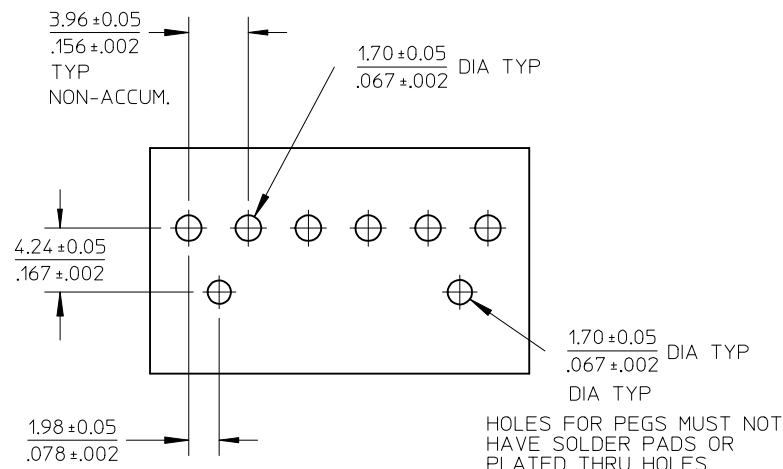


| NO. OF CKTS. | DIM. A | DIM. B | SLOT LOC BETWEEN CKTS |
|--------------|----------------|--------------------------|-----------------------|
| 2 | 7.77 .306 | 3.96±0.05 .156±.002 | NONE |
| 3 | 11.73 .462 | 7.92±0.08 .312±.003 | NONE |
| 4 | 15.70 .618 | 11.89±0.08 .468±.003 | NONE |
| 5 | 19.66 .774 | 15.85±0.10 .624±.004 | NONE |
| 6 | 23.62 .930 | 19.81±0.10 .780±.004 | 3 & 4 |
| 7 | 27.58 1.086 | 23.77±0.10 1.092±.005 | 4 & 5 |
| 8 | 31.55 1.242 | 27.74±0.13 1.092±.005 | 4 & 5 |
| 9 | 35.51 1.398 | 31.70±0.13 1.248±.005 | 5 & 6 |
| 10 | 39.47 1.554 | 35.66±0.13 1.404±.005 | 5 & 6 |
| 11 | 43.43 1.710 | 39.62±0.15 1.560±.006 | 6 & 7 |
| 12 | 47.40 1.866 | 43.59±0.15 1.716±.006 | 4 & 5 8 & 9 |

| | | | | | | | | | | |
|--|--------------------|---|---------------------------------------|------------------|--|---------------------|--------------|----------------------|------------------------|--|
| ADD SLOT EC NO: UCP2009-2603 DRW:NKIPPER 2009/05/01 CHK:DSSOUSEK 2009/05/04 APPR:FSMITH 2009/05/04 F3 | DESCRIPTION REV | QUALITY SYMBOLS ▽=0 ◻=0 | GENERAL TOLERANCES (UNLESS SPECIFIED) | | DIMENSION STYLE MM/IN | | SCALE 2:1 | DESIGN UNITS INCH | THIRD ANGLE PROJECTION | |
| | | 4 PLACES ± --- ± --- 3 PLACES ± --- ± .010 2 PLACES ± 0.25 ± .015 1 PLACE ± 0.38 ± --- ANGULAR ± 1/2° | DRAWN BY SCHAFFER | DATE 12-11-03 | TITLE FR. LOCK HEADER ASSEMBLY .156 CENTERS STR SQ PINS W/ PEGS | | | | | |
| | | DRAFT WHERE APPLICABLE MUST REMAIN WITHIN DIMENSIONS | CHECKED BY SAMIEC | DATE 12-14-03 | MOLEX INCORPORATED | | | | | |
| | | SEE CHART | APPROVED BY MARGULIS | DATE 12-18-03 | DOCUMENT NO. SD-42891-001 | SHEET NO. 1 OF * | | | | |
| | | THIS DRAWING CONTAINS INFORMATION THAT IS PROPRIETARY TO MOLEX INCORPORATED AND SHOULD NOT BE USED WITHOUT WRITTEN PERMISSION | MATERIAL NO. | | MOLEX INCORPORATED | | | | | |



PEG DETAIL



RECOMMENDED PC BOARD HOLE LAYOUT:
COMPONENT SIDE FOR 1.57/.062 THK. PCB

FOR CORRECT ORIENTATION OF PARTS WITH
VOIDS, ELIMINATE CORRESPONDING PCB HOLE.

NOTES:

- MATERIAL: HEADER-GLASS FILLED POLYESTER, 94V-0, MOLDED NATURAL WHITE
PINS: BRASS
- FINISHES: (102) OVERALL TIN: 0.00508/.000200 MIN OVER 0.00254/.000100 MIN COPPER
(154) OVERALL TIN: 0.00254/.000100 MIN OVER 0.00127/.000050 MIN NICKEL
(208) SELECT GOLD: 0.00038/.000015 MIN
*SELECT TIN: 0.00254/.000100 MIN
OVERALL NICKEL UNDERPLATE: 0.00127/.000050 MIN
(228) SELECT GOLD: 0.00076/.000030 MIN
*SELECT TIN: 0.00254/.000100 MIN
OVERALL NICKEL UNDERPLATE: 0.00127/.000050 MIN
(501) OVERALL GOLD: 0.00051/.000020 MIN
OVERALL NICKEL: 0.00076/.00030 MIN
*THE PRIMARY SHIPPING CARTON WILL BE LABELED "COMPLIANT TO RoHS DIRECTIVE 2002/95/EC AND THE ELV ANNEX II OF DIRECTIVE 2000/53/EC." CARTONS WITHOUT THIS LABEL MAY CONTAIN PRODUCT WITH TIN-LEAD PLATING.
- PRODUCT SPECIFICATION: SEE PS-08-50.
- PACKAGING INFO: SEE TABLES
- SOLDERABILITY: PER SMES-152
- PIN PUSH OUT FORCE: PRIOR TO SOLDERING, A 3 LB MINIMUM FORCE (IN EITHER DIRECTION) SHALL BE REQUIRED TO PUSH THE PIN OUT OF THE HEADER.
- PARTS ARE STACKABLE END TO END ON 3.96/.156 CENTERS.
- FOR PART WITHOUT PEGS SEE DWG. NO. SDA-41791.
- THIS PART CONFORMS TO CLASS B REQUIREMENTS OF COSMETIC SPECIFICATION PS-45499-002.
- SLOTS ON BACKWALL ARE BETWEEN CIRCUITS. SEE CHART FOR LOCATION.

| | | | | | | | | |
|--|---|---|--------|-----------------|---------------------|--------------|--------------------------|--|
| SEE SHEET 1 EC NO: UCP2009-2603 DRWN:MKIPPER 2009/05/01 CHKD:SSOUSEK 2009/05/04 APPR:FSM/TH 2009/05/04 | DESCRIPTION QUALITY SYMBOLS ▽=0 ▽C=0 | GENERAL TOLERANCES (UNLESS SPECIFIED) | | DIMENSION STYLE | SCALE | DESIGN UNITS | THIRD ANGLE PROJECTION | |
| | | | | MM/IN | 1:1 | INCH | | |
| | | | | DRAWN BY | DATE | TITLE | | |
| | | | | 4 PLACES | ± --- | ± --- | FR. LOCK HEADER ASSEMBLY | |
| | | 3 PLACES | ± --- | ± .010 | .156 CENTERS | | | |
| | | 2 PLACES | ± 0.25 | ± .015 | STR SQ PINS W/ PEGS | | | |
| | | 1 PLACE | ± 0.38 | ± --- | MOLEX INCORPORATED | | | |
| | | ANGULAR ±1/2° | | APPROVED BY | DATE | DOCUMENT NO. | | |
| | | DRAFT WHERE APPLICABLE MUST REMAIN WITHIN DIMENSIONS | | MARGULIS | 12-18-03 | SD-42891-001 | | |
| | | | | SEE CHART | | SHEET NO. | | |
| | | | | SIZE A | | 2 OF * | | |
| | | THIS DRAWING CONTAINS INFORMATION THAT IS PROPRIETARY TO MOLEX INCORPORATED AND SHOULD NOT BE USED WITHOUT WRITTEN PERMISSION | | | | | | |

| OPTIONS | Group | A-42891-0002/0018 | Group | A-42891-0120/0136 | Group | A-42891-0137/0153 | Group | A-42891-0068/0084 |
|----------|--------------|-------------------|--------------|-------------------|--------------|-------------------|--------------|-------------------|
| | Header No: | 41790-0053/0069 | Header No: | 41790-0053/0069 | Header No: | 41790-0053/0069 | Header No: | 41790-0053/0069 |
| | Pin No: | 2161-94(102) | Pin No: | 43294-0209 | Pin No: | 43294-0210 | Pin No: | 2161-45(102) |
| | Plating: | 102 | Plating: | 208 | Plating: | 228 | Plating: | 102 |
| | Pin Length L | 18.29/ .720 | Pin Length L | 18.29/ .720 | Pin Length L | 18.29/ .720 | Pin Length L | 20.85/ .821 |
| | Mating M | 11.43/ .450 | Mating M | 11.43/ .450 | Mating M | 11.43/ .450 | Mating M | 11.43/ .450 |
| | Gold Loc G | N/A | Gold Loc G | 6.86/ .270 | Gold Loc G | 6.86/ .270 | Gold Loc G | N/A |
| | PC Tail P | 3.56/ .140 | PC Tail P | 3.56/ .140 | PC Tail P | 3.56/ .140 | PC Tail P | 6.12/ .241 |
| | Tin Loc T | Overall | Tin Loc T | 4.06/ .160 | Tin Loc T | 4.06/ .160 | Tin Loc T | N/A |
| | Voided Ckts | None | Voided Ckts | None | Voided CKts | None | Voided Ckts | NONE |
| Pack Per | PK-42491-001 | Pack Per | PK-42491-001 | Pack Per | PK-42491-001 | Pack Per | PK-42491-002 | |
| Ckts | Material No | Engineer Number | Material No | Engineer Number | Material No | Engineer Number | Material No | Engineer Number |
| 2 | 26-60-6020 | A-42891-0002 | 42891-0120 | A-42891-0120 | 42891-0137 | A-42891-0137 | 26-60-6021 | A-42891-0068 |
| 3 | 26-60-6030 | A-42891-0003 | 42891-0121 | A-42891-0121 | 42891-0138 | A-42891-0138 | | A-42891-0069 |
| 4 | 26-60-6040 | A-42891-0004 | 42891-0122 | A-42891-0122 | 42891-0139 | A-42891-0139 | | A-42891-0070 |
| 5 | 26-60-6050 | A-42891-0005 | 42891-0123 | A-42891-0123 | 42891-0140 | A-42891-0140 | | A-42891-0071 |
| 6 | 26-60-6060 | A-42891-0006 | 42891-0124 | A-42891-0124 | 42891-0141 | A-42891-0141 | 26-60-6061 | A-42891-0072 |
| 7 | 26-60-6070 | A-42891-0007 | 42891-0125 | A-42891-0125 | 42891-0142 | A-42891-0142 | | A-42891-0073 |
| 8 | 26-60-6080 | A-42891-0008 | 42891-0126 | A-42891-0126 | 42891-0143 | A-42891-0143 | 26-60-6081 | A-42891-0074 |
| 9 | 26-60-6090 | A-42891-0009 | 42891-0127 | A-42891-0127 | 42891-0144 | A-42891-0144 | | A-42891-0075 |
| 10 | 26-60-6100 | A-42891-0010 | 42891-0128 | A-42891-0128 | 42891-0145 | A-42891-0145 | 26-60-6101 | A-42891-0076 |
| 11 | 26-60-6110 | A-42891-0011 | 42891-0129 | A-42891-0129 | 42891-0146 | A-42891-0146 | | A-42891-0077 |
| 12 | 26-60-6120 | A-42891-0012 | 42891-0130 | A-42891-0130 | 42891-0147 | A-42891-0147 | | A-42891-0078 |

| | | | |
|---|---|---|-----------------------------|
| REV: E2 | ECR/ECN INFORMATION EC NO: UCP2008-0727 DATE: 10/8/2007 | TITLE: FR. LOCK HEADER ASSEMBLY .156 CENTERS STR SQ PINS W/ PEGS | SHEET No. - 3 - |
| DOCUMENT NUMBER: SD-42891-001 | | CREATED / REVISED BY: ADERR | CHECKED BY: ADERR |
| | | APPROVED BY: FSMITH | |

| | | | | | | | | |
|----------|--------------|-------------------|--------------|-------------------|--------------|-------------------|--------------|-------------------|
| OPTIONS | Group | A-42891-0085/0096 | Group | A-42891-0097/0112 | Group | A-42891-0019/0035 | Group | A-42891-0036/0052 |
| | Header No: | 41790-0058/0069 | Header No: | 41790-0054/0069 | Header No: | 41790-0053/0069 | Header No: | 41790-0053/0069 |
| | Pin No: | 2161-94(102) | Pin No: | 2161-94(102) | Pin No: | 2161-94(501) | Pin No: | 2161-94(102) |
| | Plating: | 102 | Plating: | 102 | Plating: | 501 | Plating: | 102 |
| | Pin Length L | 18.29/ .720 | Pin Length L | 18.29/ .720 | Pin Length L | 18.29/ .720 | Pin Length L | 18.29/ .720 |
| | Mating M | 11.43/ .450 | Mating M | 11.43/ .450 | Mating M | 11.43/ .450 | Mating M | 11.43/ .450 |
| | Gold Loc G | N/A | Gold Loc G | N/A | Gold Loc G | OVERALL | Gold Loc G | N/A |
| | PC Tail P | 3.56/ .140 | PC Tail P | 3.56/ .140 | PC Tail P | 3.56/ .140 | PC Tail P | 3.56/ .140 |
| | Tin Loc T | OVERALL | Tin Loc T | OVERALL | Tin Loc T | N/A | Tin Loc T | OVERALL |
| | Voided Ckts | 7 | Voided Ckts | 3 | Voided CKts | NONE | Voided Ckts | 2 |
| Pack Per | PK-42491-001 | Pack Per | PK-42491-001 | Pack Per | PK-42491-001 | Pack Per | PK-42491-001 | |
| Ckts | Material No | Engineer Number | Material No | Engineer Number | Material No | Engineer Number | Material No | Engineer Number |
| 2 | | | | | 26-60-6022 | A-42891-0019 | | |
| 3 | | | 42891-0097 | A-42891-0097 | 26-60-6032 | A-42891-0020 | 26-62-6030 | A-42891-0037 |
| 4 | | | 42891-0098 | A-42891-0098 | 26-60-6042 | A-42891-0021 | 26-62-6040 | A-42891-0038 |
| 5 | | | 42891-0099 | A-42891-0099 | 26-60-6052 | A-42891-0022 | 26-62-6050 | A-42891-0039 |
| 6 | | | 42891-0100 | A-42891-0100 | 26-60-6062 | A-42891-0023 | 26-62-6060 | A-42891-0040 |
| 7 | 42891-0085 | A-42891-0085 | 42891-0101 | A-42891-0101 | 26-60-6072 | A-42891-0024 | 26-62-6070 | A-42891-0041 |
| 8 | 42891-0086 | A-42891-0086 | 42891-0102 | A-42891-0102 | 26-60-6082 | A-42891-0025 | 26-62-6080 | A-42891-0042 |
| 9 | 42891-0087 | A-42891-0087 | 42891-0103 | A-42891-0103 | 26-60-6092 | A-42891-0026 | 26-62-6090 | A-42891-0043 |
| 10 | 26-62-6082 | A-42891-0088 | 42891-0104 | A-42891-0104 | 26-60-6102 | A-42891-0027 | 26-62-6100 | A-42891-0044 |
| 11 | 42891-0089 | A-42891-0089 | 42891-0105 | A-42891-0105 | 26-60-6112 | A-42891-0028 | 26-62-6110 | A-42891-0045 |
| 12 | 42891-0090 | A-42891-0090 | 42891-0106 | A-42891-0106 | 26-60-6122 | A-42891-0029 | 26-62-6120 | A-42891-0046 |

| | | | |
|---|---|---|-----------------------------|
| REV: E2 | ECR/ECN INFORMATION EC NO: UCP2008-0727 DATE: 10/8/2007 | TITLE: FR. LOCK HEADER ASSEMBLY .156 CENTERS STR SQ PINS W/ PEGS | SHEET No. - 4 - |
| DOCUMENT NUMBER: SD-42891-001 | | CREATED / REVISED BY: ADERR | CHECKED BY: ADERR |
| | | APPROVED BY: FSMITH | |

| | | | | | | | | |
|----------|--------------|-------------------|--------------|-------------------|--------------|-------------------|--------------|-------------------|
| OPTIONS | Group | A-42891-0053/0067 | Group | A-42891-0154/0165 | Group | A-42891-0166/0180 | Group | A-42891-0181/0197 |
| | Header No: | 41790-0053/0069 | Header No: | 41790-0058/0069 | Header No: | 41790-0055/0069 | Header No: | 41790-0053/0069 |
| | Pin No: | 2161-94(102) | Pin No: | 2161-94(102) | Pin No: | 2161-94(102) | Pin No: | 2161-94(154) |
| | Plating: | 102 | Plating: | 102 | Plating: | 102 | Plating: | 154 |
| | Pin Length L | 18.29/ .720 | Pin Length L | 18.29/ .720 | Pin Length L | 18.29/ .720 | Pin Length L | 18.29/ .720 |
| | Mating M | 11.43/ .450 | Mating M | 11.43/ .450 | Mating M | 11.43/ .450 | Mating M | 11.43/ .450 |
| | Gold Loc G | N/A | Gold Loc G | N/A | Gold Loc G | N/A | Gold Loc G | N/A |
| | PC Tail P | 3.56/ .140 | PC Tail P | 3.56/ .140 | PC Tail P | 3.56/ .140 | PC Tail P | 3.56/ .140 |
| | Tin Loc T | OVERALL | Tin Loc T | OVERALL | Tin Loc T | OVERALL | Tin Loc T | OVERALL |
| | Voided Ckts | 4 | Voided Ckts | 5, 7 | Voided CKts | 2, 4 | Voided Ckts | NONE |
| Pack Per | PK-42491-001 | Pack Per | PK-42491-001 | Pack Per | PK-42491-001 | Pack Per | PK-42491-001 | |
| | | | | | | | | |
| Ckts | Material No | Engineer Number | Material No | Engineer Number | Material No | Engineer Number | Material No | Engineer Number |
| 2 | | | | | | | 50-29-1955 | A-42891-0181 |
| 3 | | | | | | | 50-29-1956 | A-42891-0182 |
| 4 | | A-42891-0053 | | | 42891-0166 | A-42891-0166 | 50-29-1957 | A-42891-0183 |
| 5 | 26-62-6051 | A-42891-0054 | | | 42891-0167 | A-42891-0167 | 50-29-1958 | A-42891-0184 |
| 6 | | A-42891-0055 | | | 42891-0168 | A-42891-0168 | 50-29-1959 | A-42891-0185 |
| 7 | | A-42891-0056 | 42891-0154 | A-42891-0154 | 42891-0169 | A-42891-0169 | 50-29-1960 | A-42891-0186 |
| 8 | | A-42891-0057 | 42891-0155 | A-42891-0155 | 42891-0170 | A-42891-0170 | 50-29-1961 | A-42891-0187 |
| 9 | | A-42891-0058 | 42891-0156 | A-42891-0156 | 42891-0171 | A-42891-0171 | 50-29-1962 | A-42891-0188 |
| 10 | 26-62-6101 | A-42891-0059 | 42891-0157 | A-42891-0157 | 42891-0172 | A-42891-0172 | 50-29-1963 | A-42891-0189 |
| 11 | | A-42891-0060 | 42891-0158 | A-42891-0158 | 42891-0173 | A-42891-0173 | 50-29-1964 | A-42891-0190 |
| 12 | | A-42891-0061 | 42891-0159 | A-42891-0159 | 42891-0174 | A-42891-0174 | 50-29-1965 | A-42891-0191 |

| | | | | |
|-------------------------|----------------------------|------------------------------|--|--------------------|
| REV: | <u>ECR/ECN INFORMATION</u> | <u>TITLE:</u> | FR. LOCK HEADER ASSEMBLY .156 CENTERS STR SQ PINS W/ PEGS | <u>SHEET No.</u> |
| E2 | EC NO: UCP2008-0727 | | | - 5 - |
| | DATE: 10/8/2007 | | | |
| <u>DOCUMENT NUMBER:</u> | SD-42891-001 | <u>CREATED / REVISED BY:</u> | ADERR | <u>CHECKED BY:</u> |
| | | <u>APPROVED BY:</u> | ADERR | FSMITH |