

PLEASE CHECK WWW.MOLEX.COM FOR LATEST PART INFORMATION

Part Number: [0428195232](#)
Status: **Active**
Overview: [minifit_sr](#)
Description: 10.00mm (.394") Pitch Mini-Fit Sr.™ Header, Single Row, Vertical, 5 Circuits, 3.18mm (.125") PCB Thickness, Tin (Sn) Plating

Documents:

[3D Model](#) [Product Specification PS-42815-001 \(PDF\)](#)
[Drawing \(PDF\)](#) [RoHS Certificate of Compliance \(PDF\)](#)

Agency Certification

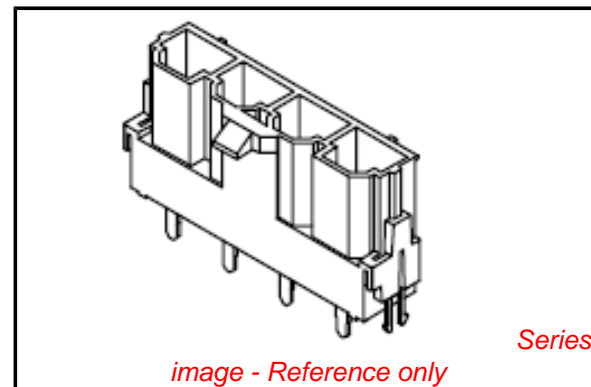
CSA LR19980
TUV R72081037
UL E29179

General

Product Family PCB Headers
Series [42819](#)
Application Power, Wire-to-Board
Overview [minifit_sr](#)
Product Name Mini-Fit Sr.™

Physical

Breakaway No
Circuits (Loaded) 5
Circuits (maximum) 5
Color - Resin Black
Durability (mating cycles max) 30
First Mate / Last Break No
Flammability 94V-0
Glow-Wire Compliant No
Guide to Mating Part No
Keying to Mating Part None
Lock to Mating Part Yes
Material - Metal Brass
Material - Plating Mating Tin
Material - Plating Termination Tin
Material - Resin High Temperature Thermoplastic
Number of Rows 1
Orientation Vertical
PC Tail Length 5.10mm (.201")
PCB Locator Yes
PCB Retention Yes
PCB Thickness - Recommended 3.20mm (.126")
Packaging Type Tray
Pitch - Mating Interface 10.00mm (.394")
Pitch - Termination Interface 10.00mm (.394")
Plating min - Mating 2.540µm (100µ")
Plating min - Termination 2.540µm (100µ")
Polarized to Mating Part Yes
Polarized to PCB Yes
Shrouded Fully
Stackable No
Surface Mount Compatible (SMC) No
Temperature Range - Operating -40°C to +105°C
Termination Interface: Style Through Hole



EU RoHS

ELV and RoHS Compliant

REACH SVHC

Not Reviewed

Low-Halogen Status

Not Low-Halogen

China RoHS



Need more information on product environmental compliance?

Email productcompliance@molex.com
For a multiple part number RoHS Certificate of Compliance, [click here](#)

Please visit the [Contact Us](#) section for any non-product compliance questions.

Search Parts in this Series

[42819Series](#)

Mates With

Mini-Fit Sr.™ Receptacle Housing with TPA 42816

Electrical

Current - Maximum per Contact	50A
Voltage - Maximum	600V

Solder Process Data

Duration at Max. Process Temperature (seconds)	3
Lead-free Process Capability	Wave Capable (TH only)
Max. Cycles at Max. Process Temperature	1
Process Temperature max. C	265

Material Info**Reference - Drawing Numbers**

Product Specification	PS-42815-001, RPS-42815-001, RPS-42815-011, RPS-42815-012, RPS-42815-013, RPS-42815-014, RPS-42815-015
Sales Drawing	SDA-42819-0002
Test Summary	TS-42815-001

This document was generated on 02/01/2011

PLEASE CHECK WWW.MOLEX.COM FOR LATEST PART INFORMATION