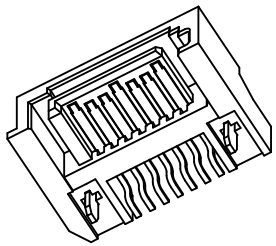
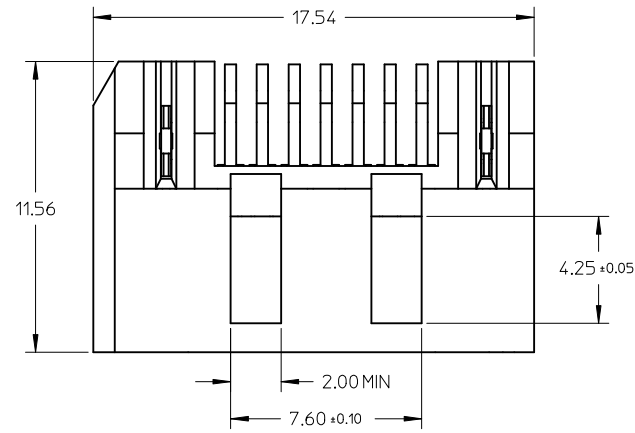


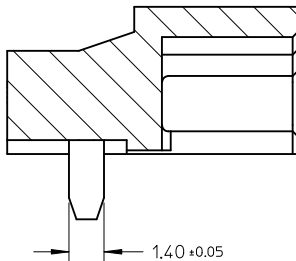
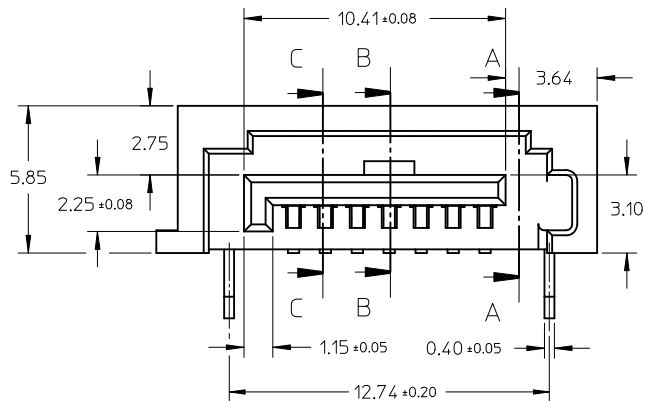
F



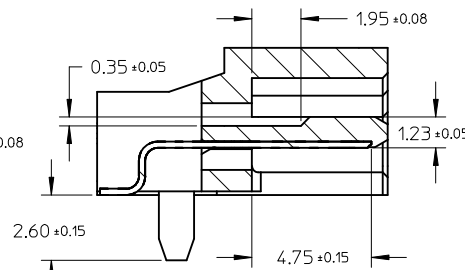
- NOTES:
- MATERIAL:
HOUSING: HIGH TEMPERATURE PLASTIC, GLASS FILLED, UL94V-0, COLOR: SEE CHART;
TERMINAL/PEG: COPPER ALLOY;
MYLAR: ADHESIVE TAPE.
 - TERMINAL AND PEG PLATING:
CONTACT AREA: GOLD PLATED ON 1.25 MICRONS MINIMUM NICKEL UNDER PLATE, REFERRED TO PLATING TYPE LIST IN TABLE;
SOLDER AREA: 1.27 MICRONS PURE TIN PLATED ON 1.25 MICRONS MINIMUM NICKEL UNDER PLATE, REFERRED TO REMARK IN TABLE.
 - PRODUCT SPECIFICATION REFER TO PS-67490-001.
 - MATING PART: 67489.
 - PRODUCT COMPLIANT TO RoHS DIRECTIVE 2002/95/EC AND ELV 2000/53/EC.

E

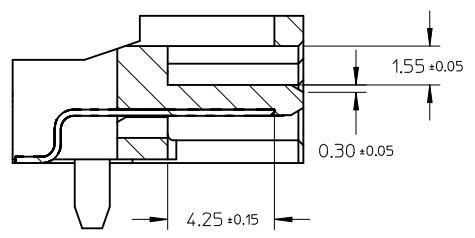
D



SECTION A-A



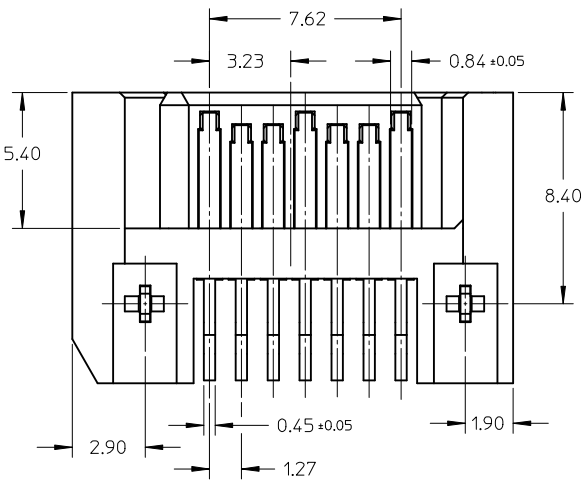
SECTION B-B



SECTION C-C

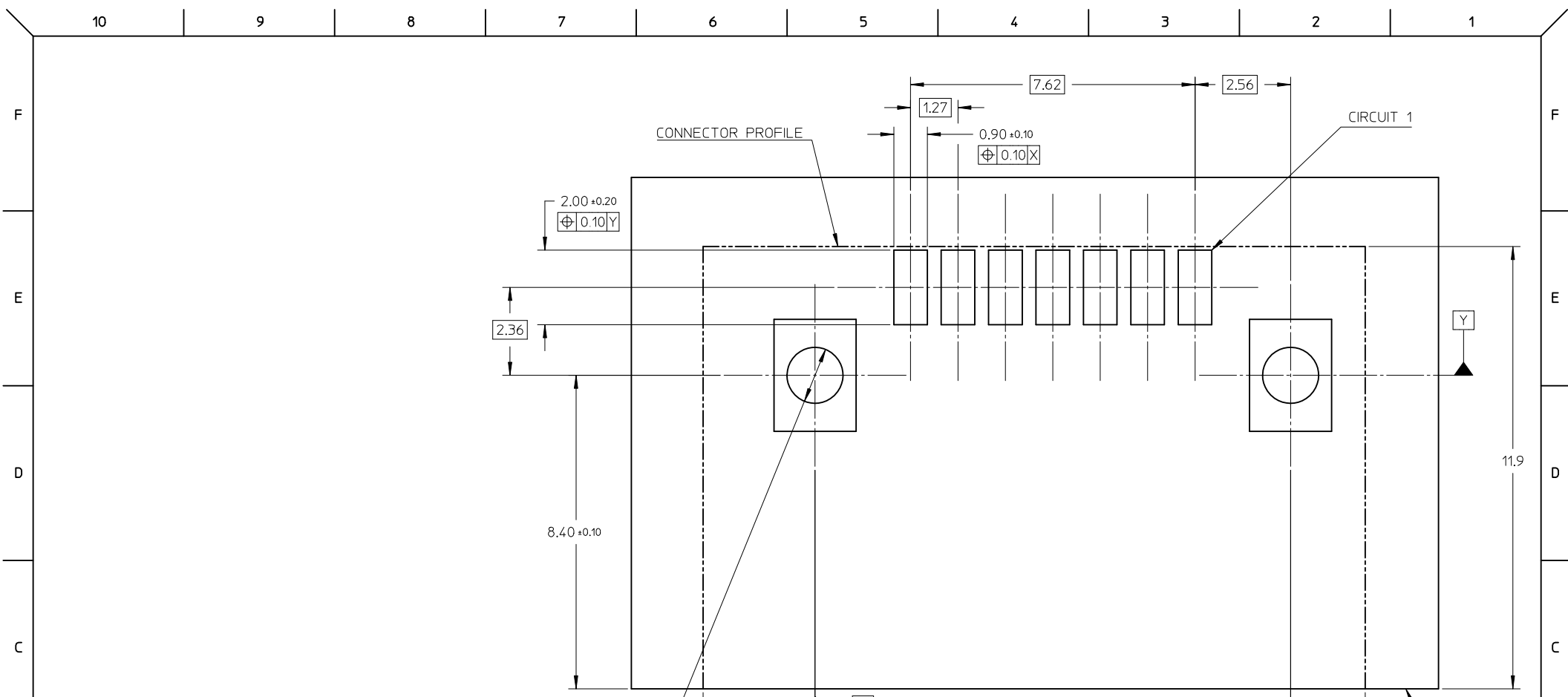
C

B



A

OBSOLETE PART EC NO: SH2012-0231 DRWNG: GLLI CHKD: XZHZHANG APPR: AYIN 2012/01/17 2012/01/17 2012/01/20	QUALITY SYMBOLS ▽=0 ◻=0	GENERAL TOLERANCES (UNLESS SPECIFIED)		DIMENSION STYLE MM ONLY		SCALE 1:1	DESIGN UNITS METRIC	THIRD ANGLE PROJECTION		
		4 PLACES ± --- ± ---	3 PLACES ± --- ± ---	2 PLACES ± 0.15 ± ---	1 PLACE ± 0.25 ± ---	ANGULAR ± 1°	DRAWN BY GRATE MA	DATE 2004/06/14	TITLE SATA SYSTEM PLUG PEG INSERT TYPE WITH SHROUD	
		DRAFT WHERE APPLICABLE MUST REMAIN WITHIN DIMENSIONS		SEE SHEET 2		APPROVED BY VINCENT	DATE 2004/06/14	MOLEX INCORPORATED		
		MATERIAL NO.		DOCUMENT NO.		SHEET NO.		1 OF 2		



RECOMMENDED P.C.B LAYOUT
THICKNESS: 1.60 +/- 0.05

PART NO	PLATING TYPE	PLASTIC COLOR	REMARK
47080-4001	GOLD FLASH	BLACK	BRIHGT TIN
47080-4002	GOLD PLATED 0.76 MICRONS		
47080-4005	GOLD PLATED 0.38 MICRONS		
47080-6001	GOLD FLASH	PROCESS BLUE C	BRIHGT TIN
47080-6002	GOLD PLATED 0.76 MICRONS	DELTA E<3	
47080-6005	GOLD PLATED 0.38 MICRONS		
47080-1010	GOLD FLASH	BLACK	
47080-1020	GOLD PLATED 0.76 MICRONS		
47080-1030	GOLD PLATED 0.38 MICRONS		
47080-2010	GOLD FLASH	NATURE COLOR	
47080-2020	GOLD PLATED 0.76 MICRONS		
47080-2030	GOLD PLATED 0.38 MICRONS		
47080-3010	GOLD FLASH	PROCESS BLUE C	MATTE TIN
47080-3020	GOLD PLATED 0.76 MICRONS	DELTA E<3	
47080-3030	GOLD PLATED 0.38 MICRONS		

OBSOLETE PART EC NO: SH2012-0231 DRW:GLL 2012/01/17 CHKD:XOZHANG 2012/01/17 APPR:ATIN 2012/01/20	QUALITY SYMBOLS ▽=0 ▽=0	GENERAL TOLERANCES (UNLESS SPECIFIED)		DIMENSION STYLE MM ONLY	SCALE 1:1	DESIGN UNITS METRIC	THIRD ANGLE PROJECTION		
		4 PLACES ± --- ± --- 3 PLACES ± --- ± --- 2 PLACES ± 0.15 ± --- 1 PLACE ± 0.25 ± --- ANGULAR ± 1°	mm INCH ± --- ± --- ± 0.15 ± --- ± 0.25 ± ---	DRAWN BY GRATE MA	DATE 2004/06/14	TITLE SATA SYSTEM PLUG PEG INSERT TYPE WITH SHROUD			
		DRAFT WHERE APPLICABLE MUST REMAIN WITHIN DIMENSIONS		APPROVED BY VINCENT	DATE 2004/06/14	MOLEX INCORPORATED			
				MATERIAL NO. SEE TABLE	DOCUMENT NO. SD-47080-001	SHEET NO. 2 OF 2			