

| | | | | | |
|------|------|-------|------|-------------------------------------|------|
| 30.5 | 29.3 | 25.65 | 24.5 | 54104-5031 | 50 |
| 28.5 | 27.3 | 23.65 | 22.5 | 54104-4631 | 46 |
| 28.0 | 26.8 | 23.15 | 22.0 | 54104-4531 | 45 |
| 27.5 | 26.3 | 22.65 | 21.5 | 54104-4431 | 44 |
| 27.0 | 25.8 | 22.15 | 21.0 | 54104-4331 | 43 |
| 25.5 | 24.3 | 20.65 | 19.5 | 54104-4031 | 40 |
| 24.5 | 23.3 | 19.65 | 18.5 | 54104-3831 | 38 |
| 23.5 | 22.3 | 18.65 | 17.5 | 54104-3631 | 36 |
| 23.0 | 21.8 | 18.15 | 17.0 | 54104-3531 | 35 |
| 22.5 | 21.3 | 17.65 | 16.5 | 54104-3431 | 34 |
| 22.0 | 20.8 | 17.15 | 16.0 | 54104-3331 | 33 |
| 21.5 | 20.3 | 16.65 | 15.5 | 54104-3231 | 32 |
| 20.5 | 19.3 | 15.65 | 14.5 | 54104-3031 | 30 |
| D | C | B | A | EMBOSSED PACKAGE ORDER NO.オーダー番号 | CKT. |

CONNECTOR SERIES NO. : 54104-**-29

| | | | | | | |
|---|---------------------------------------|--------------|---|-----------|--------------|---|
| REVISED EC NO: J2012-1496 DRWN:KNAGUMO 2012/06/12 CHKD:KAKAHASHI 2012/06/12 APPR:KMORIKAWA 2012/06/12 | GENERAL TOLERANCES (UNLESS SPECIFIED) | | DIMENSION STYLE | SCALE | DESIGN UNITS | THIRD ANGLE PROJECTION 0.5 FPC CONN. ZIF SMT R/A UPPER CONTACT SEPARATED GOLD PLATING molex SD-54104-077 SHEET NO. 1 OF 2 |
| | | | MM ONLY | --- | METRIC | |
| | 10 UNDER | ±0.2 | DRAWN BY | DATE | TITLE | |
| | 10 OVER 30 UNDER | ±0.25 | MNABEI | '04/07/09 | | |
| | ±0.3 | CHECKED BY | DATE | | | |
| | | KTOJO | '04/07/09 | | | |
| | | APPROVED BY | DATE | | | |
| | | NUKITA | '04/07/09 | | | |
| | | MATERIAL NO. | DOCUMENT NO. | | | |
| | | SEE TABLE | | | | |
| | | SIZE | THIS DRAWING CONTAINS INFORMATION THAT IS PROPRIETARY TO MOLEX INCORPORATED AND SHOULD NOT BE USED WITHOUT WRITTEN PERMISSION | | | |
| | | A3 | | | | |

10 9 8 7 6 5 4 3 2 1

F

E

D

C

B

A

F

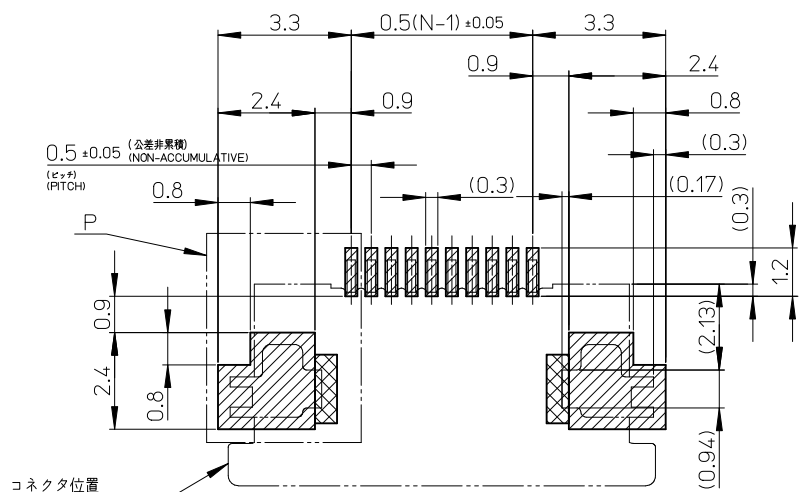
E

D

C

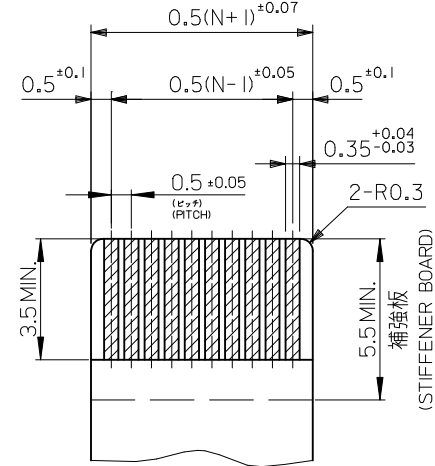
B

A



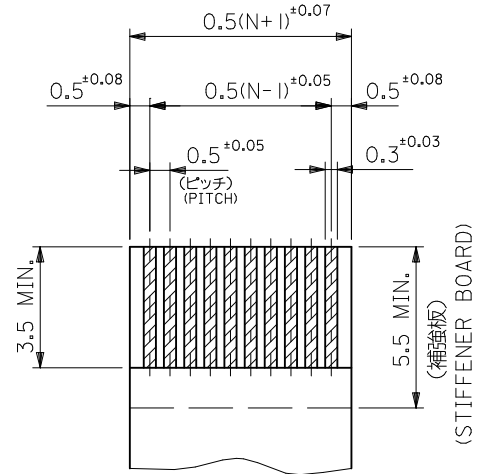
参考基板レイアウト
RECOMMENDED P.W.BOARD PATTERN DIMENSION(REF.)

(マウント面)
(MOUNTING SIDE)



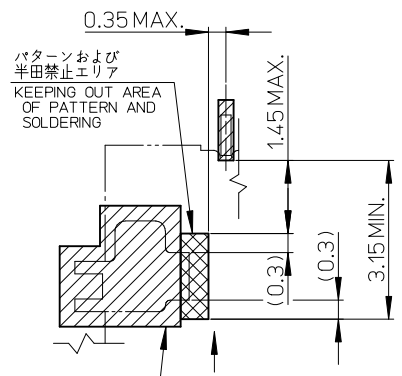
適合金めっきFPC推奨寸法
APPLICABLE FPC OF GOLD PLATING
RECOMMENDED DIMENSION

(仕上がり厚さ : 0.3 ± 0.03)
(THICKNESS : 0.3 ± 0.03)

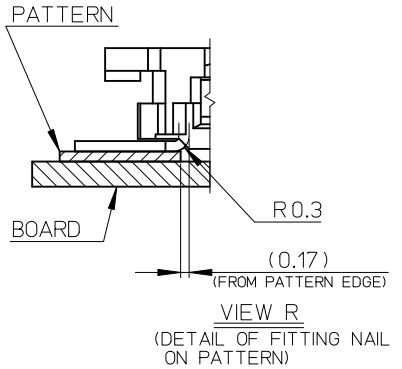


適合金めっきFFC推奨寸法
APPLICABLE FFC OF GOLD PLATING
RECOMMENDED DIMENSION

(仕上がり厚さ : 0.3 ± 0.03)
(THICKNESS : 0.3 ± 0.03)



DETAIL P



VIEW R
(DETAIL OF FITTING NAIL ON PATTERN)

注記 NOTES

1. 使用材料 MATERIAL
ハウジング : 46ナイロン、ガラス充填、UL94V-0、白
HOUSING: PA46, GLASS FILLED, UL94V-0, WHITE
アクチュエータ: ポリフェニレンサルファイド (PPS)、ガラス充填、UL94V-0、茶色
ACTUATOR: POLYPHENYLENE SULFIDE, GLASS FILLED, UL94V-0, BROWN
ターミナル : リン青銅 (t=0.2) 金メッキ コンタクト部 0.1 MICROMETER MINIMUM
テール部 0.05 MICROMETER MINIMUM
ニッケル下地 1.0 MICROMETER MINIMUM
TERMINAL PHOS-BRONZE GOLD-PLATING
CONTACT PORTION : 0.1 MICROMETER MINIMUM
TAIL PORTION : 0.05 MICROMETER MINIMUM
NICKEL PLATING : 1.0 MICROMETER MINIMUM
金具 : リン青銅 (t=0.2) 錫メッキ 1.0~3.0 MICROMETER MINIMUM
ニッケル下地 1.0~3.0 MICROMETER MINIMUM
FITTING NAIL : PHOS-BRONZE TIN-PLATING 1.0~3.0 MICROMETER MINIMUM
OVER NICKEL 1.0~3.0 MICROMETER MINIMUM
2. エンボステープ梱包時はアクチュエータがロックした状態とする。
IN THE PACKAGE, ACTUATOR OF PART NO.54104-**-**29 SHOULD BE LOCKED.
ソルダータール半田付け面のズレ量、および金具半田付け面のズレ量は
基準面 (H) に対し上方向 0.1MAXIMUM、下方向 0.15MAXIMUMとする。
MISALIGNMENT OF SOLDER TAILS AND FITTING NAILS FROM (H)
UPPER DIRECTION : 0.1MAXIMUM, LOWER DIRECTION : 0.15 MAXIMUM.

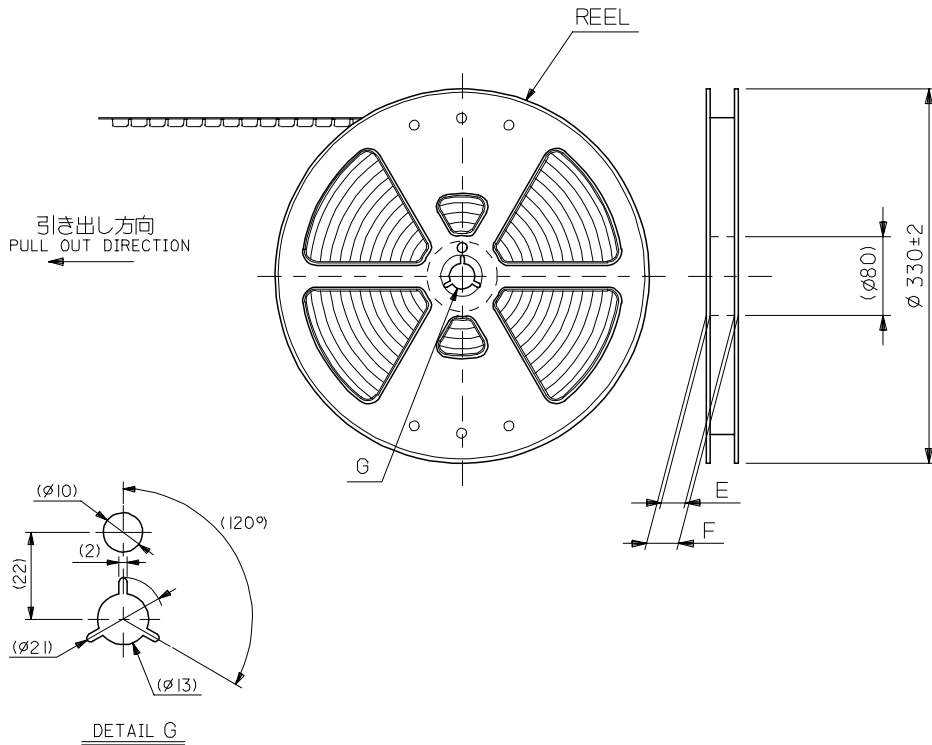
- △ 偶数極に適用。
APPLY FOR EVEN CIRCUIT.
- △ パターンはく離止め金具。
FITTING NAIL FOR PREVENTION OF PEELING OF P.W.BOARD PATTERN.
- 6. ELV & RoHS適合品
ELV AND RoHS COMPLIANT

FPC/FFCについて:
打ち抜き方向は導体側から補強板側を推奨いたします。
導体部は軟銅箔 35MICROMETER または 50MICROMETERを推奨いたします。
RECOMMENDED PUNCHER DIRECTION FROM CONDUCTOR SIDE TO STIFFENER BOARD SIDE.
RECOMMENDED CONDUCTOR SPEC THICKNESS OF SOFT COPPER FOIL : 35MICROMETERS OR 50MICROMETERS

FPCについて:
補強フィルム材質はポリイミドを推奨いたします。
接着剤は熱硬化接着剤を推奨いたします。
RECOMMENDED MATERIAL STIFFENER FILM : POLYIMIDE
BONDING AGENT : THERMOSETTING BONDING AGENT

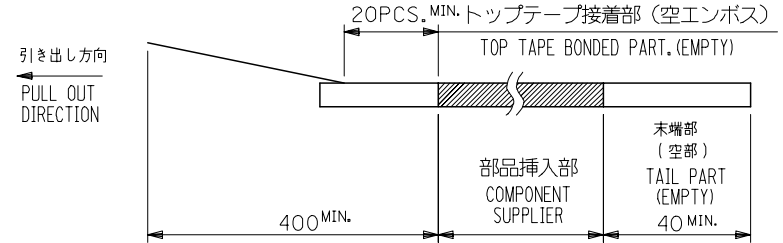
| | | | | | | | | |
|---|---------------------------------------|----------------------------------|----------------------------|---|---|------------------------|------------------------|--|
| REVISED EC NO: J2012-1496 DRWN:KNAGIMO 2012/06/12 CHKD:KAKAHASHI 2012/06/12 APP:R:KMORI/KAWA 2012/06/12 | GENERAL TOLERANCES (UNLESS SPECIFIED) | | DIMENSION STYLE MM ONLY | | SCALE --- | DESIGN UNITS METRIC | THIRD ANGLE PROJECTION | |
| | 10 UNDER | ± --- | DRAWN BY MNABE I | DATE '04/07/09 | TITLE 0.5 FPC CONN. ZIF SMT R/A UPPER CONTACT SEPARATED GOLD PLATING | | | |
| | 10 OVER 30 UNDER | ± --- | CHECKED BY KTOJO | DATE '04/07/09 | | | | |
| | 30 OVER | ± --- | APPROVED BY NUKITA | DATE '04/07/09 | | | | |
| ANGULAR | ± --- ° | MATERIAL NO. SEE SHEET 1 OF 2 | | DOCUMENT NO. SD-54104-077 | | SHEET NO. 2 OF 2 | | |
| DRAFT WHERE APPLICABLE MUST REMAIN WITHIN DIMENSIONS | | SIZE A3 | | THIS DRAWING CONTAINS INFORMATION THAT IS PROPRIETARY TO MOLEX INCORPORATED AND SHOULD NOT BE USED WITHOUT WRITTEN PERMISSION | | | | |

10 9 8 7 6 5 4 3 2 1



NOTES

1. 梱包数量：1500個/リール
NUMBER OF CONNECTORS : 1500PCS/REEL
2. リードテープ長さ LEAD TAPE LENGTH

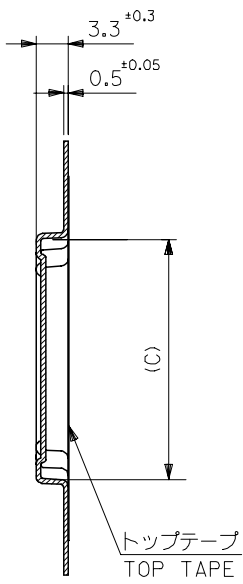


3. 材料 (MATERIAL)
キャリアテープ (CARRIER TAPE) : ポリプロピレン (POLYPROPYLENE)
トップテープ (TOPTAPE) : PET , PE , PEF
リール (REEL) : ポリスチレン (POLYSTYLENE)
4. 本製品は 54104-**-96 のターミナル部分全メッキ品である。

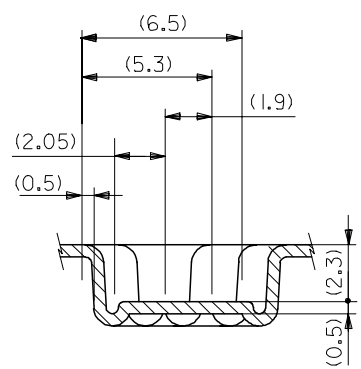
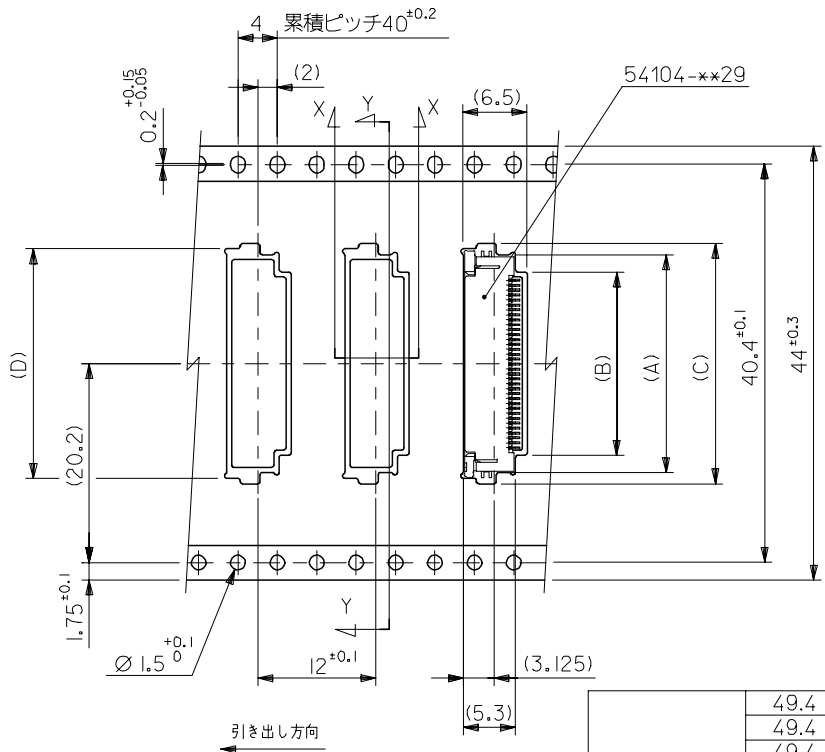
| | | | | | | |
|---|---------------------------------------|------------|---|-------------------|---|------------------------|
| REVISED EC NO: J2007-2009 DRWN: YAMADA01 2007/01/23 CHKD: TOYODA 2007/01/25 APPR: NUKITA 2007/01/25 | GENERAL TOLERANCES (UNLESS SPECIFIED) | | DIMENSION STYLE MM ONLY | SCALE 2:1 | DESIGN UNITS METRIC | THIRD ANGLE PROJECTION |
| | 10 UNDER | ± 0.2 | DRAWN BY MNABEI | DATE '04/07/09 | TITLE EMBOSSD TAPE PACKAGE FOR 54104-**-29 -LEAD FREE- | |
| | 10 OVER 30 UNDER | ± 0.25 | CHECKED BY KTOJO | DATE '04/07/09 | | |
| | 30 OVER | ± 0.3 | APPROVED BY NUKITA | DATE '04/07/09 | MOLEX INCORPORATED | |
| | ANGULAR | ± 3 ° | MATERIAL NO. | DOCUMENT NO. | | |
| DRAFT WHERE APPLICABLE MUST REMAIN WITHIN DIMENSIONS | | SIZE A3 | THIS DRAWING CONTAINS INFORMATION THAT IS PROPRIETARY TO MOLEX INCORPORATED AND SHOULD NOT BE USED WITHOUT WRITTEN PERMISSION | | SD-54104-078 1 OF 2 | |

10 9 8 7 6 5 4 3 2 1

F E D C B A



SECT:Y-Y



| | | | | | | | | |
|--------------------------------|------|------|------|------|------|------------|--------------|------|
| 44 | 49.4 | 45.4 | 30.8 | 31.9 | 26.1 | 29.6 | 54104-5031 | 50 |
| | 49.4 | 45.4 | 28.8 | 29.9 | 24.1 | 27.6 | 54104-4631 | 46 |
| | 49.4 | 45.4 | 28.3 | 29.4 | 23.6 | 27.1 | 54104-4531 | 45 |
| | 49.4 | 45.4 | 27.8 | 28.9 | 23.1 | 26.6 | 54104-4431 | 44 |
| | 49.4 | 45.4 | 27.3 | 28.4 | 22.6 | 26.1 | 54104-4331 | 43 |
| | 49.4 | 45.4 | 25.8 | 26.9 | 21.1 | 24.6 | 54104-4031 | 40 |
| | 49.4 | 45.4 | 24.8 | 25.9 | 20.1 | 23.6 | 54104-3831 | 38 |
| | 49.4 | 45.4 | 23.8 | 24.9 | 19.1 | 22.6 | 54104-3631 | 36 |
| | 49.4 | 45.4 | 23.3 | 24.4 | 18.6 | 22.1 | 54104-3531 | 35 |
| | 49.4 | 45.4 | 22.8 | 23.9 | 18.1 | 21.6 | 54104-3431 | 34 |
| | 49.4 | 45.4 | 22.3 | 23.4 | 17.6 | 21.1 | 54104-3331 | 33 |
| | 49.4 | 45.4 | 21.8 | 22.9 | 17.1 | 20.6 | 54104-3231 | 32 |
| 49.4 | 45.4 | 20.8 | 21.9 | 16.1 | 19.6 | 54104-3031 | 30 | |
| キャリアテープ幅 CARRIER TAPE WIDTH | F | E | D | C | B | A | MATERIAL NO. | CKT. |

| | | | | | | | | |
|--|--|-------------|----------------------------|--------------|--|------------------------|---------------------------|--|
| REVISED EC NO: J2007-2009 DRWN: YAMADA01 2007/01/23 CHKDK: TOYODA 2007/01/25 APPR: NUKITA 2007/01/25 | GENERAL TOLERANCES (UNLESS SPECIFIED) | | DIMENSION STYLE MM ONLY | | SCALE 2:1 | DESIGN UNITS METRIC | THIRD ANGLE PROJECTION | |
| | 10 UNDER | ±0.2 | DRAWN BY | DATE | TITLE | | | |
| | 10 OVER 30 UNDER | ±0.25 | MNABEI | '04/07/09 | EMBOSSD TAPE PACKAGE FOR 54104-**-29 -LEAD FREE- | | | |
| | 30 OVER | ±0.3 | CHECKED BY | DATE | MOLEX INCORPORATED | | | |
| ANGULAR | ±3 ° | APPROVED BY | DATE | MATERIAL NO. | | DOCUMENT NO. | SHEET NO. | |
| DRAFT WHERE APPLICABLE MUST REMAIN WITHIN DIMENSIONS | | NUKITA | '04/07/09 | SEE CHART | | SD-54104-078 | 2 OF 2 | |
| THIS DRAWING CONTAINS INFORMATION THAT IS PROPRIETARY TO MOLEX INCORPORATED AND SHOULD NOT BE USED WITHOUT WRITTEN PERMISSION | | | | | | | | |