

MATERIALS AND FINISHES

BODY STAINLESS STEEL
PASSIVATE

CENTER CONTACT BERYLLIUM COPPER
PLATED GOLD

INSULATOR TEFLON

SCREW STEEL

ϕ 1.600 ± 0.025
.063 ± 0.001
2 PLACES
THRU

7.16 ± 0.05
.282 ± 0.002

3.58 ± 0.05
.141 ± 0.002
2 PLACES

RECOMMENDED PCB LAYOUT

GROUND
PAD

ϕ 4.32
.170
GROUND PAD
MINIMUM

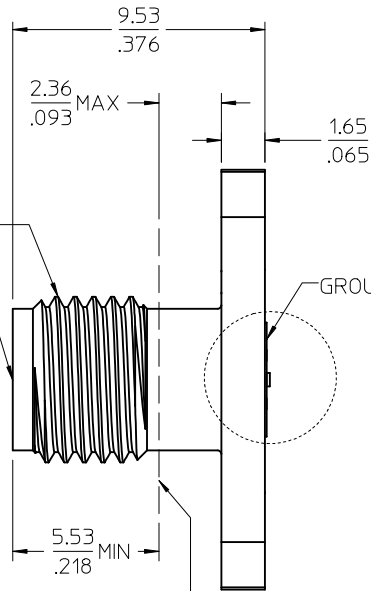
ϕ 2.57 ± 0.05
.101 ± 0.002
GROUND PAD

0.76 ± 0.08
 ϕ .030 ± 0.003
SIGNAL
PAD

SIGNAL PAD

1/4-36 UNS-2A

SMA JACK
INTERFACE



MOUNTING SCREWS MUST NOT
EXTEND BEYOND THIS POINT

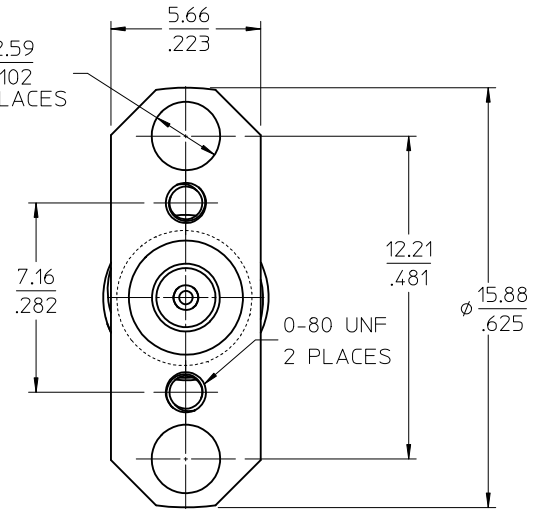
GROUNDING RING

0.064
.0025

ϕ 0.508 ± 0.025
.020 ± 0.001
CENTER CONTACT

0.13 +0.08
-0.00
.005 +.003
-.000

ϕ 2.59
.102
2 PLACES



ϕ 2.24
.088
INSULATOR
OUTER
DIAMETER

ϕ 0.94
.037
INSULATOR
INNER
DIAMETER

ϕ 4.32
.170
GROUNDING
RING OUTER
DIAMETER

ϕ 2.57
.101
GROUNDING
RING INNER
DIAMETER

PS-89675-3460

ELECTO/MECH PERFOR

MIL-STD-348A, FIG 310-2

INTERFACE

SPECIFICATION

DESCRIPTION

73251-1852 P/N 73251-1850, ONE PER BAG

73251-1850 WITHOUT SCREWS

PART NO. DESCRIPTION

CHG: ADDED -1855
CHANGED TOLERANCE
ON PCB RANGES

REV: B13

EC NO: URF2012-0169
DRWN: JWENER 2011/09/30
CHKD: SSS 2011/09/30
APPR: JWENER 2011/09/30

QUALITY SYMBOLS
▽=0
▽=0

GENERAL TOLERANCES
(UNLESS SPECIFIED)

	mm	INCH
4 PLACES	± .005	± .0005
3 PLACES	± .003	± .0003
2 PLACES	± .002	± .0002
1 PLACE	± .001	± .0001

ANGULAR ± 2 °

DRAFT WHERE APPLICABLE
MUST REMAIN
WITHIN DIMENSIONS

DIMENSION STYLE
MM/IN

DRAWN BY DATE
GMH 2003/04/21

CHECKED BY DATE
SSS 2003/04/21

APPROVED BY DATE
JWENER 2010/06/09

MATERIAL NO.
732511850

SIZE
C

SCALE
DESIGN UNITS
METRIC

THIRD ANGLE
PROJECTION

TITLE
SMA JACK, 2H FLG WITH
0-80 THD, 50 OHM 27 GHZ
SMA-JR/F EWR-1995

MOLEX MOLEX INCORPORATED

DOCUMENT NO.
SD-73251-185

SHEET NO.
1 OF 3

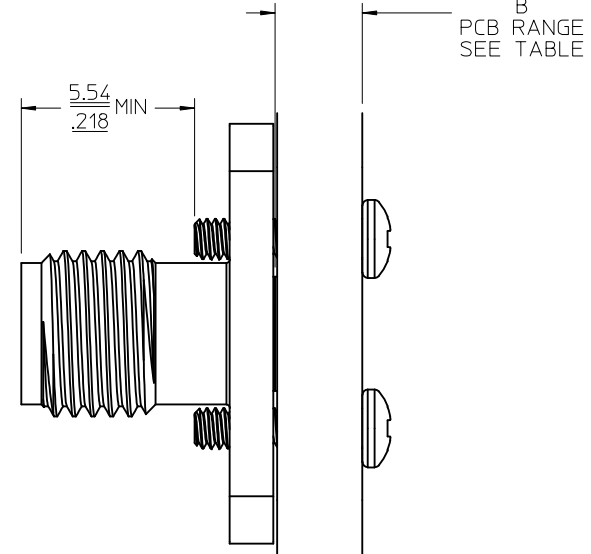
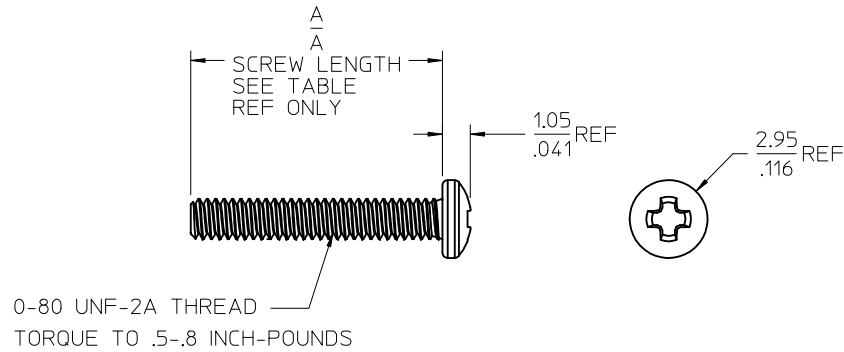
THIS DRAWING CONTAINS INFORMATION THAT IS PROPRIETARY TO MOLEX
INCORPORATED AND SHOULD NOT BE USED WITHOUT WRITTEN PERMISSION

MATERIALS AND FINISHES

SEE SHEET 1

PCB LAYOUT

SEE SHEET 1



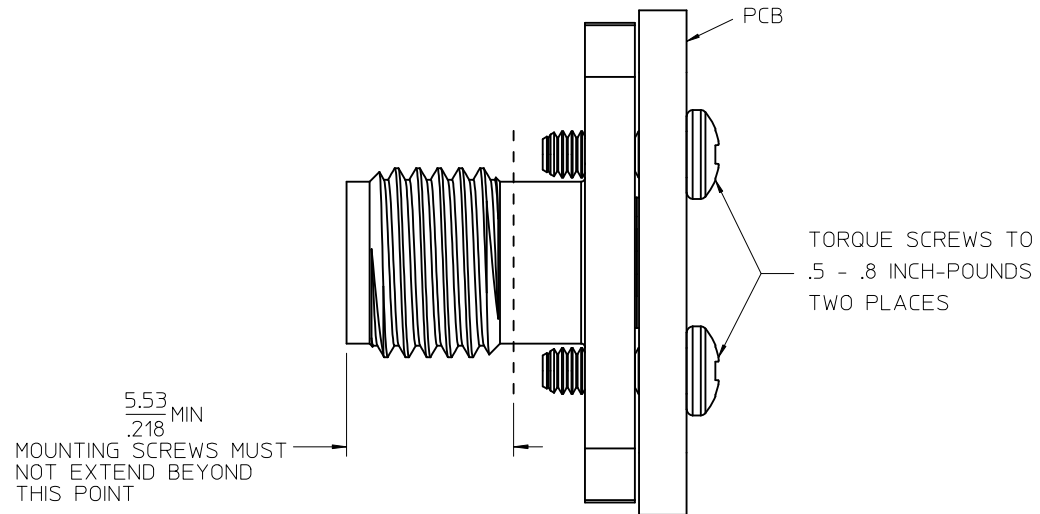
73251-1855	3.18/.125	.055+.00/-0.045	1.40+0.00/-1.14	2
73251-1854	9.53/.375	.255+.060/-0.02	6.48+1.52/-0.51	2
73251-1853	6.4/.25	.130+.060/-0.01	3.30+1.52/-0.25	2
73251-1851	4.8/.19	.062+.060/-0.01	1.57+1.52/-0.25	2
PART NO.	(MM/IN)	IN	MM	SCREWS (QTY)
	DIM A	DIM B		

CHG: SEE SHT 1 EEC NO: URF2012-0169 DRWN: JWIENER 2011/09/30 CHKD: SSS 2011/09/30 APPR: JWIENER 2011/09/30	QUALITY SYMBOLS ▽=0 ▽=0	GENERAL TOLERANCES (UNLESS SPECIFIED) <table border="1"> <tr> <th></th> <th>mm</th> <th>INCH</th> </tr> <tr> <td>4 PLACES</td> <td>± .005</td> <td>± .0005</td> </tr> <tr> <td>3 PLACES</td> <td>± .008</td> <td>± .0008</td> </tr> <tr> <td>2 PLACES</td> <td>± .012</td> <td>± .0012</td> </tr> <tr> <td>1 PLACE</td> <td>± .015</td> <td>± .0015</td> </tr> </table>		mm	INCH	4 PLACES	± .005	± .0005	3 PLACES	± .008	± .0008	2 PLACES	± .012	± .0012	1 PLACE	± .015	± .0015	DIMENSION STYLE MM/IN	SCALE METRIC	DESIGN UNITS METRIC	THIRD ANGLE PROJECTION
		mm	INCH																		
	4 PLACES	± .005	± .0005																		
	3 PLACES	± .008	± .0008																		
2 PLACES	± .012	± .0012																			
1 PLACE	± .015	± .0015																			
DRAFT WHERE APPLICABLE MUST REMAIN WITHIN DIMENSIONS	MATERIAL NO. SEE TABLE	DRAWN BY GMH	DATE 2003/04/21	TITLE SMA JACK, 2H FLG WITH 0-80 THD, 50 OHM 27 GHZ SMA-JR/F EWR-1995	MOLEX INCORPORATED	SHEET NO. 2 OF 3															
SIZE C	THIS DRAWING CONTAINS INFORMATION THAT IS PROPRIETARY TO MOLEX INCORPORATED AND SHOULD NOT BE USED WITHOUT WRITTEN PERMISSION	APPROVED BY JWIENER	DATE 2010/06/09	DOCUMENT NO. SD-73251-185	MOLEX	SHEET NO. 2 OF 3															

ADDITIONAL APPLICATION NOTES / ASSEMBLY INSTRUCTIONS

- SEE SHEET ONE FOR SUGGESTED PCB LAYOUT. HEIGHT OF GROUND AND SIGNAL PADS MUST BE EVEN WITHIN ± 0.038 (.0015).
- SECURE CONNECTOR TO BOARD BY THREADING TWO 0-80 SCREWS FROM BOTTOM SIDE OF BOARD THROUGH CONNECTOR HOLES TO INDICATED TORQUE (SEE FIGURE).

DO NOT SOLDER CONNECTOR TO BOARD.
- ONCE CONNECTOR IS MOUNTED TO BOARD ANY LOOSENING OR REMOVAL OF SCREWS CAN AND/OR WILL CAUSE CONNECTOR TO NO LONGER FUNCTION AS DESIGNED.



CHG: SEE SHEET 1 EC NO: URF2012-0169 2011/09/30 DRAWN: JWIENER CHKD: SSS 2011/09/30 APPR: JWIENER 2011/09/30	QUALITY SYMBOLS ▽=0 ▽=0	GENERAL TOLERANCES (UNLESS SPECIFIED)		DIMENSION STYLE MM/IN		SCALE	DESIGN UNITS METRIC	THIRD ANGLE PROJECTION	
		4 PLACES ± --- ± ---	3 PLACES ± --- ± ---	2 PLACES ± --- ± ---	1 PLACE ± --- ± ---	DRAWN BY GMH	DATE 2003/04/21	TITLE SMA JACK, 2H FLG WITH 0-80 THD, 50 OHM 27 GHZ SMA-JR/F EWR-1995	
B13	DESCRIPTION	ANGULAR ± 2 °		APPROVED BY JWIENER		DATE 2010/06/09	MOLEX INCORPORATED		
		DRAFT WHERE APPLICABLE MUST REMAIN WITHIN DIMENSIONS		MATERIAL NO. SEE TABLE		DOCUMENT NO. SD-73251-185	SHEET NO. 3 OF 3		
SIZE C THIS DRAWING CONTAINS INFORMATION THAT IS PROPRIETARY TO MOLEX INCORPORATED AND SHOULD NOT BE USED WITHOUT WRITTEN PERMISSION									