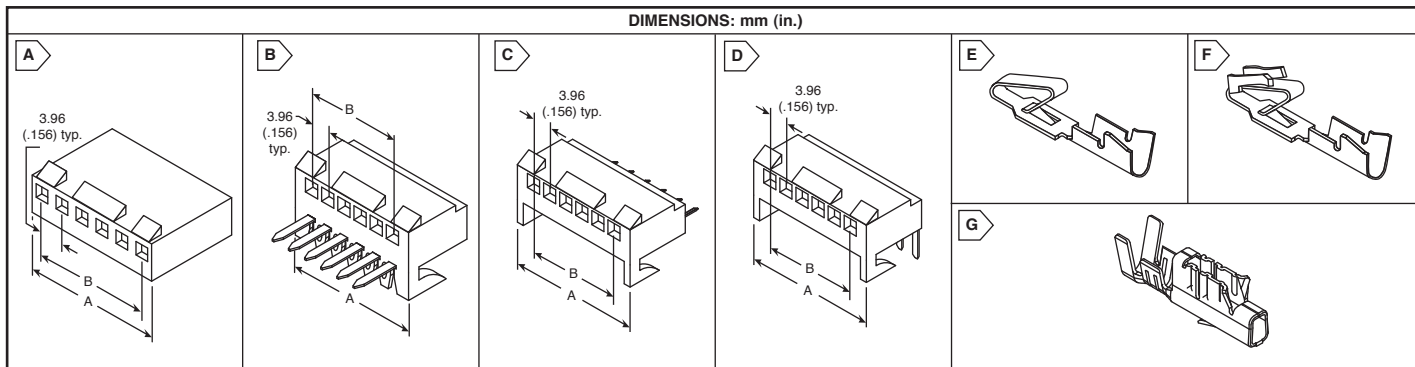


MOLEX KK® Series (.156")



.156" CRIMP TERMINAL HOUSINGS

- Voltage: 250V AC Max.
- Current: Phosphor Bronze-7.0A max.; Brass-5.0A max.
- Temperature: 0 to +75°C
- RoHS compliant per Molex documentation



RoHS Compliant

For quantities of 1000 and up, call for quote.

MOUSER STOCK NO.	Molex Part No.	Fig.	No. of Circuits	Dimen.: mm		Price Each			
				A	B	1	10	100	500
With Locking Ramp UL94V-2, Nylon									
538-09-50-3021	09-50-3021	A	2	7.92	3.96				
538-09-50-3031	09-50-3031	A	3	11.79	7.92				
538-09-50-3041	09-50-3041	A	4	15.75	11.89				
538-09-50-3051	09-50-3051	A	5	19.71	15.85				
538-09-50-3061	09-50-3061	A	6	23.67	19.81				
538-09-50-3071	09-50-3071	A	7	27.64	23.77				
538-09-50-3081	09-50-3081	A	8	31.60	27.74				
538-09-50-3091	09-50-3091	A	9	35.56	31.70				
538-09-50-3101	09-50-3101	A	10	39.52	35.66				
538-09-50-3111	09-50-3111	A	11	43.48	39.62				
538-09-50-3121	09-50-3121	A	12	47.45	43.59				
Without Locking Ramp UL94V-2, Nylon									
538-09-50-7021	09-50-7021	A	2	7.92	3.96				
538-09-50-7031	09-50-7031	A	3	11.79	7.92				
538-09-50-7041	09-50-7041	A	4	15.75	11.89				
538-09-50-7051	09-50-7051	A	5	19.71	15.85				
538-09-50-7061	09-50-7061	A	6	23.67	19.81				
538-09-50-7071	09-50-7071	A	7	27.64	23.77				
538-09-50-7081	09-50-7081	A	8	31.60	27.74				
538-09-50-7091	09-50-7091	A	9	35.56	31.70				
538-09-50-7101	09-50-7101	A	10	39.52	35.66				
538-09-50-7111	09-50-7111	A	11	43.48	39.62				

MOUSER STOCK NO.	Molex Part No.	Fig.	No. of Circuits	Dimen.: mm		Price Each			
				A	B	1	10	100	500
With Locking Ramp and Polarizing Ribs UL94V-0, Polyester									
538-09-50-8023	09-50-8023	A	2	8.79	3.96				
538-09-50-8033	09-50-8033	A	3	12.75	7.92				
538-09-50-8043	09-50-8043	A	4	16.71	11.89				
538-09-50-8053	09-50-8053	A	5	20.67	15.85				
538-09-50-8063	09-50-8063	A	6	24.64	19.81				
538-09-50-8073	09-50-8073	A	7	28.60	23.77				
538-09-50-8083	09-50-8083	A	8	32.56	27.74				
538-09-50-8093	09-50-8093	A	9	36.53	31.70				
538-09-50-8103	09-50-8103	A	10	40.49	35.66				
538-09-50-8113	09-50-8113	A	11	44.45	39.62				
538-09-50-8123	09-50-8123	A	12	48.41	43.59				
With Locking Ramp UL94V-0, Polyester									
538-09-50-8021	09-50-8021	A	2	8.79	3.96				
538-09-50-8031	09-50-8031	A	3	12.75	7.92				
538-09-50-8041	09-50-8041	A	4	16.71	11.89				
538-09-50-8051	09-50-8051	A	5	20.67	15.85				
538-09-50-8061	09-50-8061	A	6	24.64	19.81				
538-09-50-8071	09-50-8071	A	7	28.60	23.77				
538-09-50-8081	09-50-8081	A	8	32.56	27.74				
538-09-50-8091	09-50-8091	A	9	36.53	31.70				
538-09-50-8101	09-50-8101	A	10	40.49	35.66				
538-09-50-8111	09-50-8111	A	11	44.45	39.62				
538-09-50-8121	09-50-8121	A	12	48.41	43.59				

Rectangular Connectors Molex

.156" PCB RECEPTACLES

• Tin Plated

For quantities of 1000 and up, call for quote.

MOUSER STOCK NO.	Molex Part No.	Fig.	No. of Circuits	Dimen.: mm		Price Each			
				A	B	1	10	100	500
Bottom Entry									
538-09-52-3032	09-52-3032	B	3	11.79	7.92				
538-09-52-3042	09-52-3042	B	4	15.75	11.89				
538-09-52-3052	09-52-3052	B	5	19.71	15.85				
538-09-52-3062	09-52-3062	B	6	23.67	19.81				
538-09-52-3072	09-52-3072	B	7	27.64	23.77				
538-09-52-3082	09-52-3082	B	8	31.60	27.74				
538-09-52-3102	09-52-3102	B	10	39.52	35.66				
538-09-52-3122	09-52-3122	B	12	47.75	43.59				
Top Entry									
538-09-52-3033	09-52-3033	C	3	11.79	7.92				
538-09-52-3043	09-52-3043	C	4	15.75	11.89				
538-09-52-3053	09-52-3053	C	5	19.71	15.85				
538-09-52-3063	09-52-3063	C	6	23.67	19.81				
538-09-52-3073	09-52-3073	C	7	27.64	23.77				
538-09-52-3083	09-52-3083	C	8	31.60	27.74				
538-09-52-3093	09-52-3093	C	9	35.56	31.70				

For quantities of 1000 and up, call for quote.

MOUSER STOCK NO.	Molex Part No.	Fig.	No. of Circuits	Dimen.: mm		Price Each			
				A	B	1	10	100	500
Top Entry (Cont.)									
538-09-52-3103	09-52-3103	C	10	39.52	35.66				
538-09-52-3113	09-52-3113	C	11	43.48	39.62				
538-09-52-3123	09-52-3123	C	12	47.75	43.59				
Side Entry									
538-09-52-3021	09-52-3021	D	2	7.82	3.96				
538-09-52-3031	09-52-3031	D	3	11.79	7.92				
538-09-52-3041	09-52-3041	D	4	15.75	11.89				
538-09-52-3051	09-52-3051	D	5	19.71	15.85				
538-09-52-3061	09-52-3061	D	6	23.67	19.81				
538-09-52-3071	09-52-3071	D	7	27.64	23.77				
538-09-52-3081	09-52-3081	D	8	31.60	27.74				
538-09-52-3091	09-52-3091	D	9	35.56	31.70				
538-09-52-3101	09-52-3101	D	10	39.52	35.66				
538-09-52-3111	09-52-3111	D	11	43.48	39.62				
538-09-52-3121	09-52-3121	D	12	47.75	43.59				

.156" CRIMP TERMINALS

- Temperature: Phosphor Bronze: 0 to +75°C; Brass: 0 to +50°C
- Current: 5.0A max. using 18 AWG wire

MOUSER STOCK NO.	Molex Part No.	Fig.	Wire Range	Material	Plating	Price Each		
						1	100	500
538-08-50-0106	08-50-0106	E	18-20	Brass	Tin			
538-08-52-0072	08-52-0072	E	18-20	Ph Bz	Tin			
538-08-50-0108	08-50-0108	E	22-26	Brass	Tin			
538-08-50-0134	08-50-0134	E	22-26	Ph Bz	Tin			
538-08-56-0106	08-56-0106	E	18-20	Brass	Gold			
538-08-58-0122	08-58-0122	E	18-20	Ph Bz	Gold			
538-08-56-0108	08-56-0108	E	22-26	Brass	Gold			
538-08-58-0126	08-58-0126	E	22-26	Ph Bz	Gold			
538-08-52-0113	08-52-0113	F	18-20	Ph Bz	Tin			
538-08-50-0189	08-50-0189	F	18-20	Brass	Tin			
538-08-52-0125	08-52-0125	F	22-26	Ph Bz	Tin			
538-08-50-0185	08-50-0185	F	22-26	Brass	Tin			
538-08-56-0124	08-56-0124	F	22-26	Ph Bz	Gold			
*538-45570-3050	45570-3050	G	18-20	Copp-Alloy	Tin			

*Use with 09-50-8xxx only
© Copyright 2009 Mouser Electronics

POLARIZING KEYS AND PEGS

- Snap fit into housings
- RoHS compliant per Molex documentation



RoHS Compliant

MOUSER STOCK NO.	Molex Part No.	Description	Price Each		
			1	100	500
538-15-04-0219	15-04-0219	Key			
538-15-04-0220	15-04-0220	Peg			

- Includes: connectors, crimp tool, extraction tool, and storage case

DESIGNER/SERVICE KITS

MOUSER STOCK NO.	Molex Part No.	Description	Price Each
538-KK-156	KK-156	.156", 96 connectors	

TOOLS

For quantities of 5 and up, call for quote.

MOUSER STOCK NO.	Molex Part No.	Description	Price Each
538-11-03-0016	11-03-0016	Extraction tool	
538-63811-7500	63811-7500	Hand crimp tool, 18-24 AWG	
538-63811-7400	63811-7400	Hand crimp tool, 22-26 AWG	

© Copyright 2009 Mouser Electronics