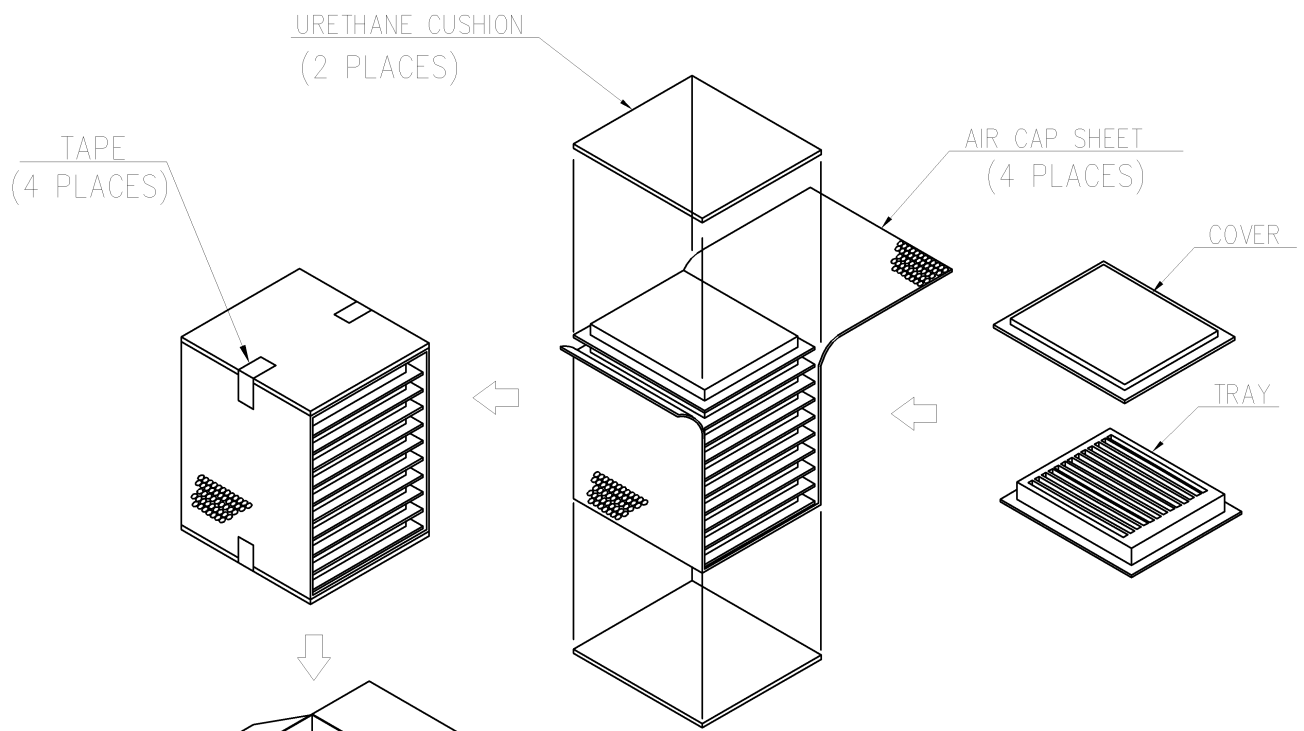




THIS DRAWING IS UNPUBLISHED. RELEASED FOR PUBLICATION  
 © COPYRIGHT - BY - ALL RIGHTS RESERVED.

|     |      |           |     |              |      |     |      |
|-----|------|-----------|-----|--------------|------|-----|------|
| LOC | DIST | REVISIONS |     |              |      |     |      |
| DW  |      | P         | LTR | DESCRIPTION  | DATE | DWN | APVD |
|     |      |           |     | SEE SHEET 1. |      |     |      |



TAPE  
(4 PLACES)

URETHANE CUSHION  
(2 PLACES)

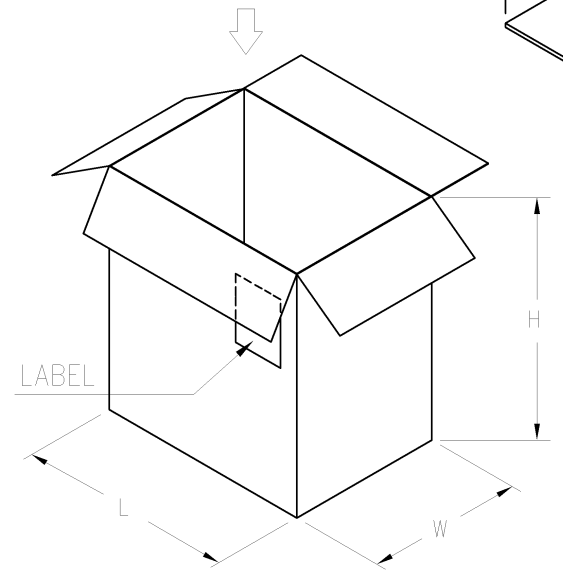
AIR CAP SHEET  
(4 PLACES)

COVER

TRAY

NOTES:

1. MATERIAL:
  - 1.1 TRAY: PVC
  - 1.2 SHIPPING CARTON: CORRUGATED FIBERBOARD
2. DIMENSION:
  - 2.1 TRAY: L=320, W=230, H=18.9
  - 2.2 SHIPPING CARTON: L=361, W=245, H=272
3. QUANTITY:
  - 3.1 PRIMARY PACKING: 100 PCS/TRAY
  - 3.2 SECONDARY PACKING: 10 TRAY/CARTON(1000PCS)
4. CARTON WEIGHT:
  - 4.1 NET WEIGHT: 10.24 Kg (W/SCREWLOCK)
  - 4.2 GROSS WEIGHT: 11.24 Kg (W/SCREWLOCK)
  - 4.3 NET WEIGHT: 8.24 Kg (W/O SCREWLOCK)
  - 4.4 GROSS WEIGHT: 9.24 Kg (W/O SCREWLOCK)



|   |  |              |   |               |           |           |  |
|---|--|--------------|---|---------------|-----------|-----------|--|
| THIS DRAWING IS A CONTROLLED DOCUMENT.  |  | DWN          | TE Connectivity<br><b>RECEPTACLE ASSY, SIZE 1,<br/>         15 POSITION, RIGHT ANGLE,<br/>         THROUGH HOLE</b> |               |           |           |  |
| DIMENSIONS:<br>MM   |  | CHK          |   |               |           | NAME      |  |
| TOLERANCES UNLESS OTHERWISE SPECIFIED:<br>0 PLC ± -<br>1 PLC ± -<br>2 PLC ± -<br>3 PLC ± -<br>4 PLC ± -<br>ANGLES ± - |  | APVD         |   |               |           | SIZE      |  |
|   |  | PRODUCT SPEC |   |               |           | CAGE CODE |  |
| MATERIAL  |  | FINISH       | APPLICATION SPEC  | DRAWING NO    |           |           |  |
|   |  |              | WEIGHT  | RESTRICTED TO |           |           |  |
|   |  |              | A3 00779  |               | ©=1734530 |           |  |
|   |  |              | CUSTOMER DRAWING  |               | SCALE     |           |  |
|   |  |              | SHEET 2 OF 4  |               | REV B2    |           |  |

THIS DRAWING IS UNPUBLISHED. RELEASED FOR PUBLICATION  
 © COPYRIGHT - BY - ALL RIGHTS RESERVED.

| LOC | DIST | REVISIONS |     |              |      |     |      |
|-----|------|-----------|-----|--------------|------|-----|------|
| DW  |      | P         | LTR | DESCRIPTION  | DATE | DWN | APVD |
|     |      |           |     | SEE SHEET 1. |      |     |      |

D

D

C

C

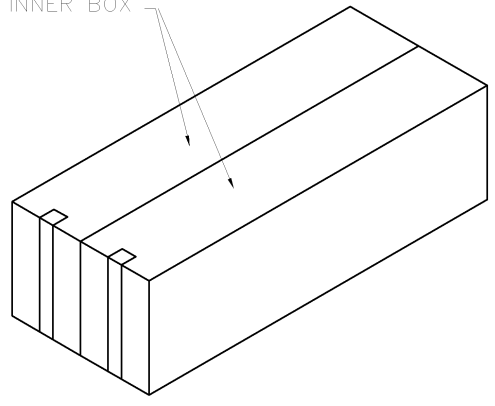
B

B

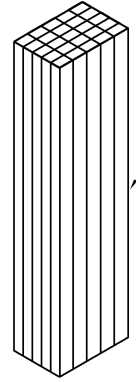
A

A

INNER BOX



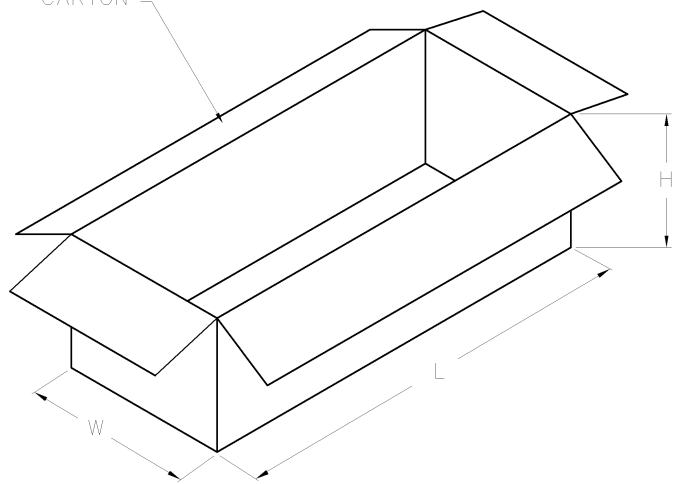
TUBE



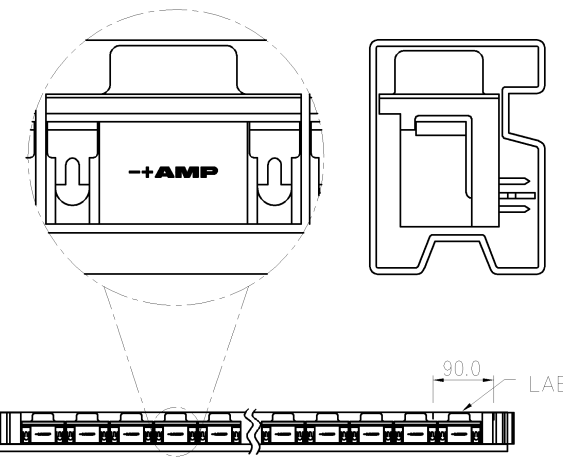
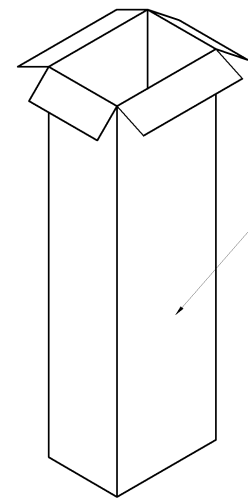
NOTES:

- 1. MATERIAL:
  - 1.1 TUBE: PVC
  - 1.2 SHIPPING CARTON: CORRUGATED FIBERBOARD
- 2. DIMENSION:
  - 2.1 TUBE: L=560, W=17.8, H=27.4
  - 2.2 SHIPPING CARTON: L=600, W=245, H=195
- 3. QUANTITY:
  - 3.1 PRIMARY PACKING: 17 PCS/TUBE
  - 3.2 SECONDARY PACKING: 25 TUBE/BOX
  - 3.3 THIRD PACKING: 2 BOX/CARTON(850PCS)
- 4. CARTON WEIGHT:
  - 4.1 NET WEIGHT: 8.7 Kg (W/O SCREWLOCK)
  - 4.2 GROSS WEIGHT: 9.7 Kg (W/O SCREWLOCK)

CARTON



INNER BOX



|   |  |                  |   |           |            |
|---|--|------------------|---|-----------|------------|
| THIS DRAWING IS A CONTROLLED DOCUMENT.                                      |  | DWN              | TE Connectivity   |           |            |
| DIMENSIONS: MM  |  | CHK              | NAME  |           |            |
| TOLERANCES UNLESS OTHERWISE SPECIFIED:                                      |  | APVD             | RECEPTACLE ASSY, SIZE 1, 15 POSITION, RIGHT ANGLE, THROUGH HOLE |           |            |
| 0 PLC ± -<br>1 PLC ± -<br>2 PLC ± -<br>3 PLC ± -<br>4 PLC ± -<br>ANGLES ± - |  | PRODUCT SPEC     | SIZE  | CAGE CODE | DRAWING NO |
| MATERIAL  |  | APPLICATION SPEC | A3  | 00779     | C=1734530  |
| FINISH  |  | WEIGHT           | RESTRICTED TO   |           |            |
|   |  | CUSTOMER DRAWING | SCALE   | SHEET     | REV        |
|   |  |                  |   | 3 OF 4    | B2         |

THIS DRAWING IS UNPUBLISHED. RELEASED FOR PUBLICATION

ALL RIGHTS RESERVED.

© COPYRIGHT - BY -

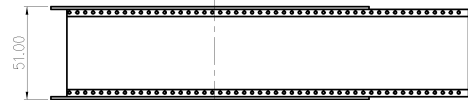
ALL RIGHTS RESERVED.

LOC DIST

DW

REVISIONS

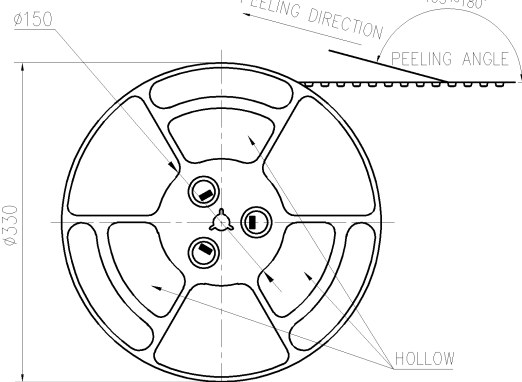
| P | LTR | DESCRIPTION  | DATE | DWN | APVD |
|---|-----|--------------|------|-----|------|
|   |     | SEE SHEET 1. |      |     |      |



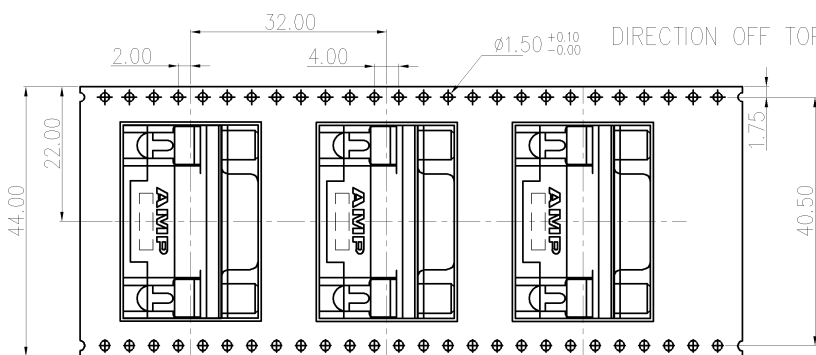
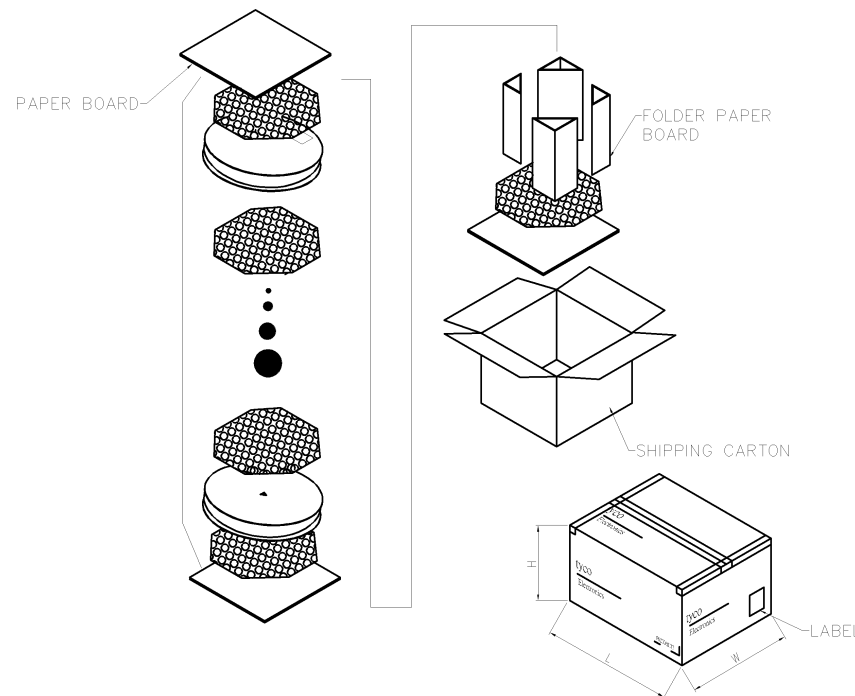
PULL OUT DIRECTION



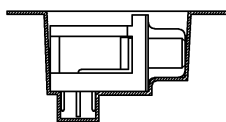
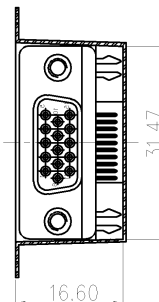
TOP COVER TAPE



HOLLOW



DIRECTION OFF TOP OF REEL



| PRODUCT TYPE  | PCS/REEL | REEL/CARTON | TOTAL(PCS) | CTN SIZE (CM) | NW(Kg) | GW(Kg) |
|---------------|----------|-------------|------------|---------------|--------|--------|
| D-SUB H/D 15P | 100      | 6           | 600        | 360X360X350   | 5.4    | 5.9    |

|   |  |        |  |   |  |
|---|--|--------|--|---|--|
| THIS DRAWING IS A CONTROLLED DOCUMENT.                                      |  | DWN -  |  | <b>TE Connectivity</b><br>RECEPTACLE ASSY, SIZE 1,<br>15 POSITION, RIGHT ANGLE,<br>THROUGH HOLE |  |
| DIMENSIONS: MM  |  | CHK -  |  |   |  |
| TOLERANCES UNLESS OTHERWISE SPECIFIED:                                      |  | APVD - |  |   |  |
| 0 PLC ± -<br>1 PLC ± -<br>2 PLC ± -<br>3 PLC ± -<br>4 PLC ± -<br>ANGLES ± - |  | NAME   |  |   |  |
| MATERIAL  |  | FINISH |  | PRODUCT SPEC  |  |
|   |  |        |  | APPLICATION SPEC  |  |
|   |  |        |  | SIZE  |  |
|   |  |        |  | CAGE CODE   |  |
|   |  |        |  | DRAWING NO  |  |
|   |  |        |  | RESTRICTED TO   |  |
|   |  |        |  | A300779   |  |
|   |  |        |  | C=1734530   |  |
|   |  |        |  | CUSTOMER DRAWING  |  |
|   |  |        |  | SCALE   |  |
|   |  |        |  | SHEET 4 OF 4  |  |
|   |  |        |  | REV B2  |  |