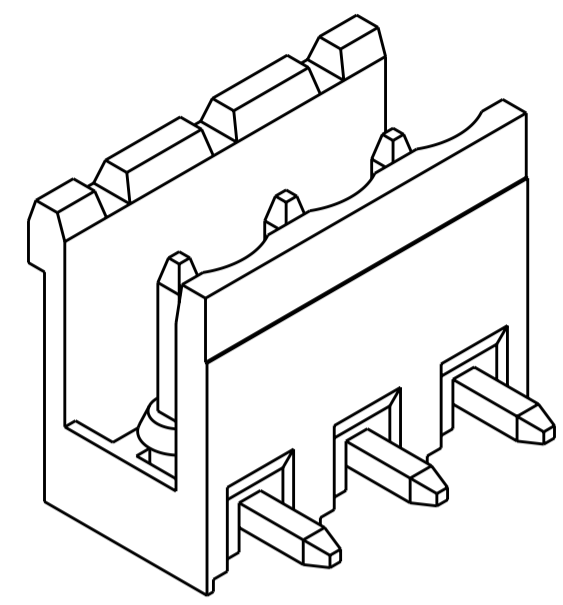
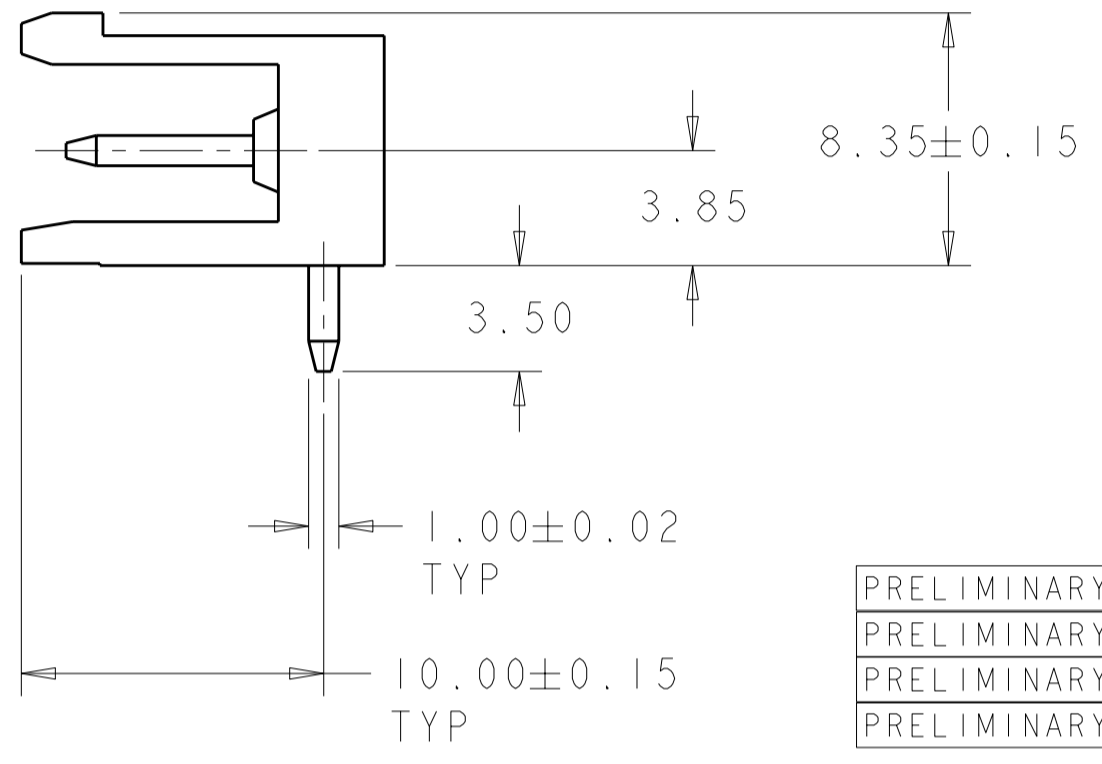
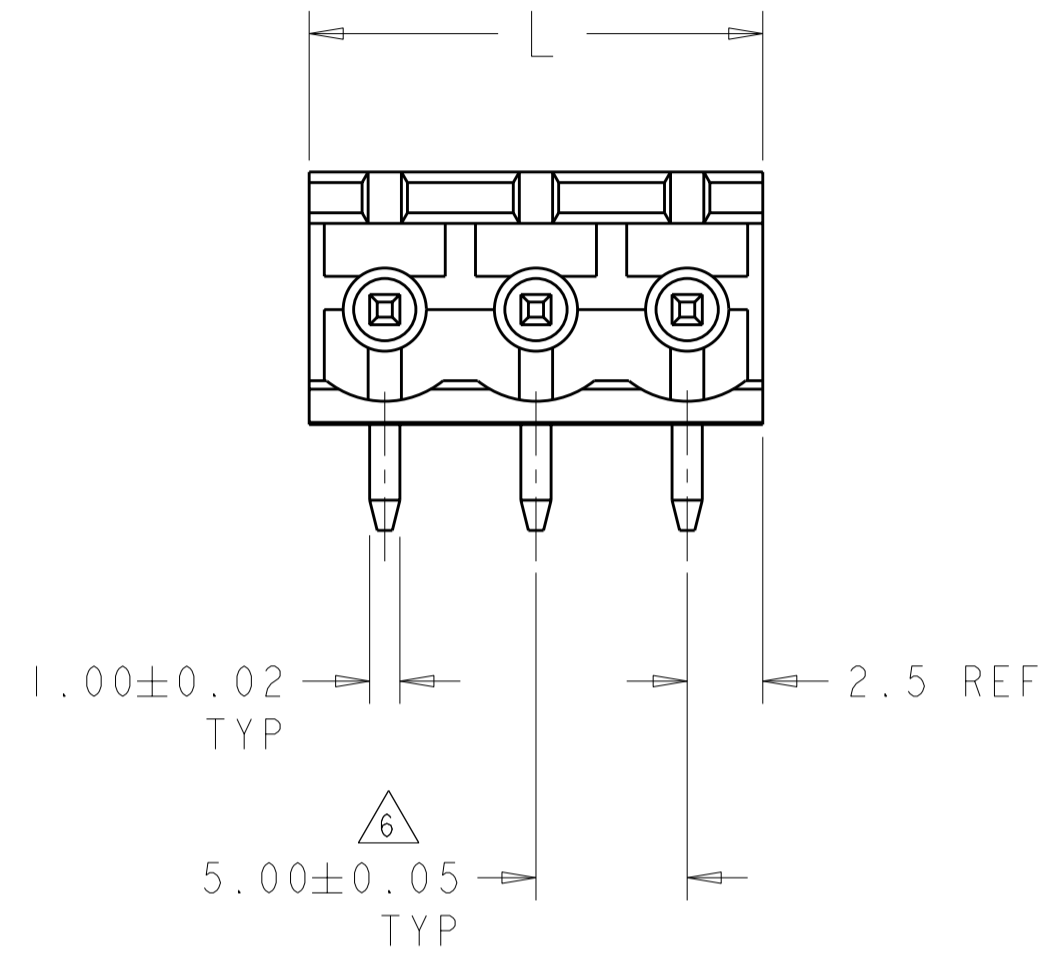


THIS DRAWING IS UNPUBLISHED. RELEASED FOR PUBLICATION 20  
 © COPYRIGHT 20 BY - ALL RIGHTS RESERVED.

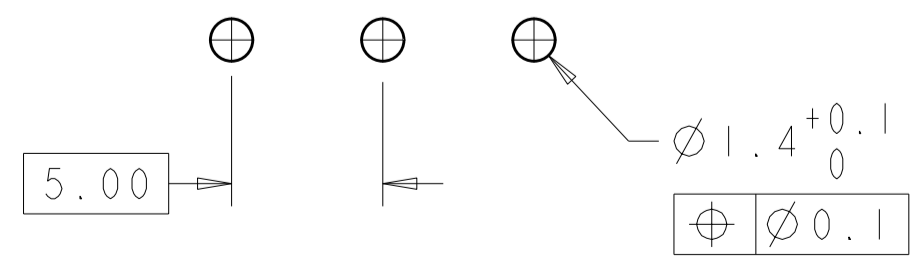
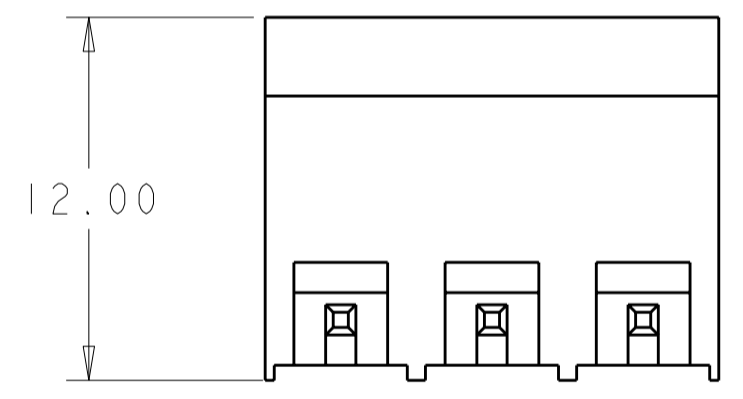
LOC	DIST	REVISIONS			
P	LTR	DESCRIPTION	DATE	DWN	APVD
FT	0	D3	REVISED PER ECO-11-004820	11MAR2011	RK HMR



282812-3 AS SHOWN

PRELIMINARY	COLOR	PLATING	SPECIAL	L	NO OF POSN	PART NUMBER
PRELIMINARY	GREEN	MATTE TIN	-		15.0	3-282812-7
PRELIMINARY	ORANGE	TIN	-		75.0	3-282812-6
PRELIMINARY	ORANGE	TIN	-		65.0	3-282812-5
PRELIMINARY	ORANGE	TIN	-		15.0	3-282812-4
	GREEN	0.76um GOLD	-		15.0	3-282812-3
	GREEN	TIN	SEE DETAIL M		55.0	3-282812-1
	GREEN	TIN	-		125.0	2-282812-5
	GREEN	TIN	-		120.0	2-282812-4
	GREEN	TIN	-		115.0	2-282812-3
	GREEN	TIN	-		110.0	2-282812-2
	GREEN	TIN	-		105.0	2-282812-1
	GREEN	TIN	-		100.0	2-282812-0
	GREEN	TIN	-		95.0	1-282812-9
	GREEN	TIN	-		90.0	1-282812-8
	GREEN	TIN	-		85.0	1-282812-7
	GREEN	TIN	-		80.0	1-282812-6
	GREEN	TIN	-		75.0	1-282812-5
	GREEN	TIN	-		70.0	1-282812-4
	GREEN	TIN	-		65.0	1-282812-3
	GREEN	TIN	-		60.0	1-282812-2
	GREEN	TIN	-		55.0	1-282812-1
	GREEN	TIN	-		50.0	1-282812-0
	GREEN	TIN	-		45.0	282812-9
	GREEN	TIN	-		40.0	282812-8
	GREEN	TIN	-		35.0	282812-7
	GREEN	TIN	-		30.0	282812-6
	GREEN	TIN	-		25.0	282812-5
	GREEN	TIN	-		20.0	282812-4
	GREEN	TIN	-		15.0	282812-3
	GREEN	TIN	-		10.0	282812-2

- 1. MATERIALS AND FINISH  
 HOUSING: PA 6-6, UL 94-V0, COLOR: SEE TABLE.  
 TERMINAL: PHOSPHOR BRONZE, SEE TABLE.
- 2. SUITABLE FOR 1,6-2,4mm PC BOARD THICKNESS.
- 3. END-TO-END STACKABLE WITHOUT LOSS OF CENTERLINE SPACING.
- 4. RECOGNIZED UNDER THE COMPONENT PROGRAM OF UNDERWRITERS LABORATORIES INC. FILE N° E60677.
- 5. IMQ CERTIFICATE WITH SURVEILLANCE IN CONFORMITY WITH IEC 998-1/998-2-1.
- 6. NOT CUMULATIVE TOLERANCE.
- 7. BUCHANAN LOGO TO APPEAR ON HOUSING, LOCATION OPTIONAL WHERE SPACE PERMITS.
- 8. SELECTIVELY LOADED IN POSITIONS 1, 4, 5, 8 & 11.



RECOMMENDED PC BOARD LAYOUT

THIS DRAWING IS A CONTROLLED DOCUMENT. DWN S.WELDON 12SEP2002  
 CHK C.RICHARD 12SEP2002  
 APVD C.RICHARD 12SEP2002

**STE** TE Connectivity

NAME: TERMINAL BLOCK HEADER ASSEMBLY  
 90 DEGREE, OPEN ENDS, STACKING  
 5.00mm PITCH

PRODUCT SPEC: 108-20166  
 APPLICATION SPEC: 114-20079

SIZE: A2 CAGE CODE: 00779 DRAWING NO: C-282812 RESTRICTED TO: -  
 WEIGHT: - SCALE: 3:1 SHEET 1 OF 2 REV: D3

CUSTOMER DRAWING

4

3

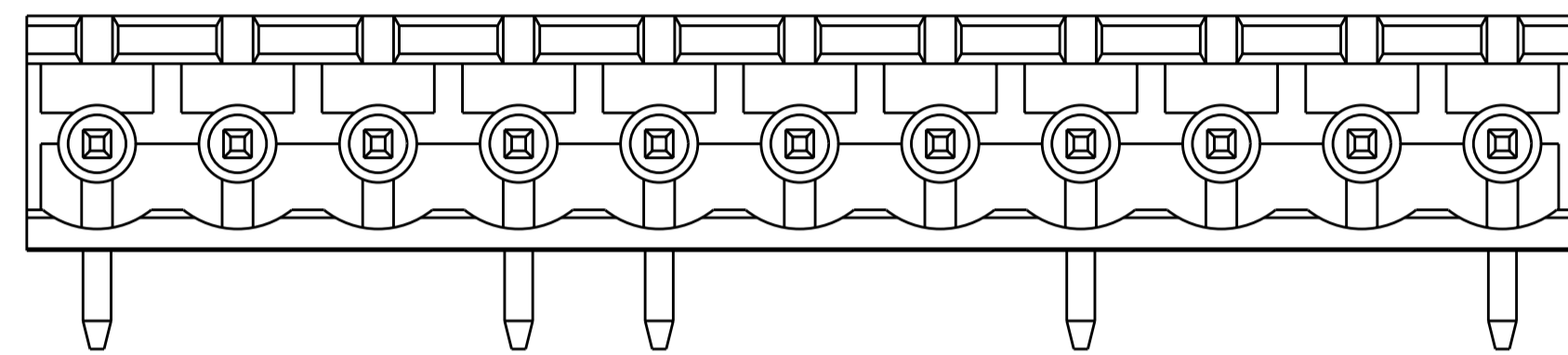
2

1

THIS DRAWING IS UNPUBLISHED.      RELEASED FOR PUBLICATION      20

© COPYRIGHT 20      BY -      ALL RIGHTS RESERVED.

LOC	DIST	REVISIONS			
P	LTR	DESCRIPTION	DATE	DWN	APVD
FT	0	-	SEE SHEET 1	-	-



△ 8  
DETAIL M

THIS DRAWING IS A CONTROLLED DOCUMENT.		DWN S. WELDON	12SEP2002	TE Connectivity	
DIMENSIONS: mm		CHK C. RICHARD	12SEP2002		
		TOLERANCES UNLESS OTHERWISE SPECIFIED:		NAME	
		0 PLC ±- 1 PLC ±.2 2 PLC ±.25 3 PLC ±- 4 PLC ±- ANGLES ±2 FINISH		APVD C. RICHARD 12SEP2002 PRODUCT SPEC APPLICATION SPEC	
MATERIAL		WEIGHT		RESTRICTED TO	
-		-		-	
CUSTOMER DRAWING				SCALE 3:1	SHEET 2 OF 2
				DRAWING NO. A200779	REV D3
				DRAWING NO. C-282812	