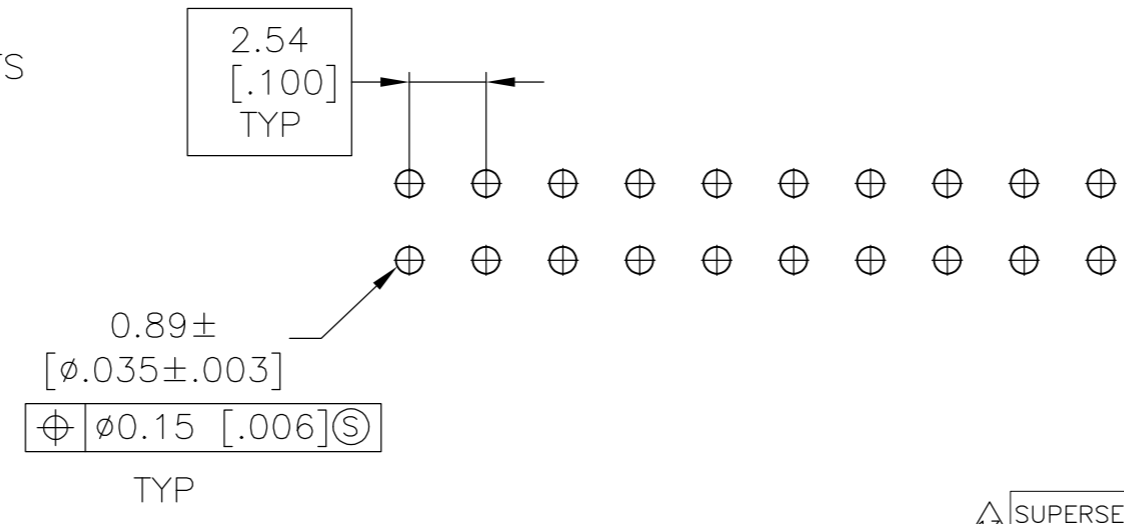
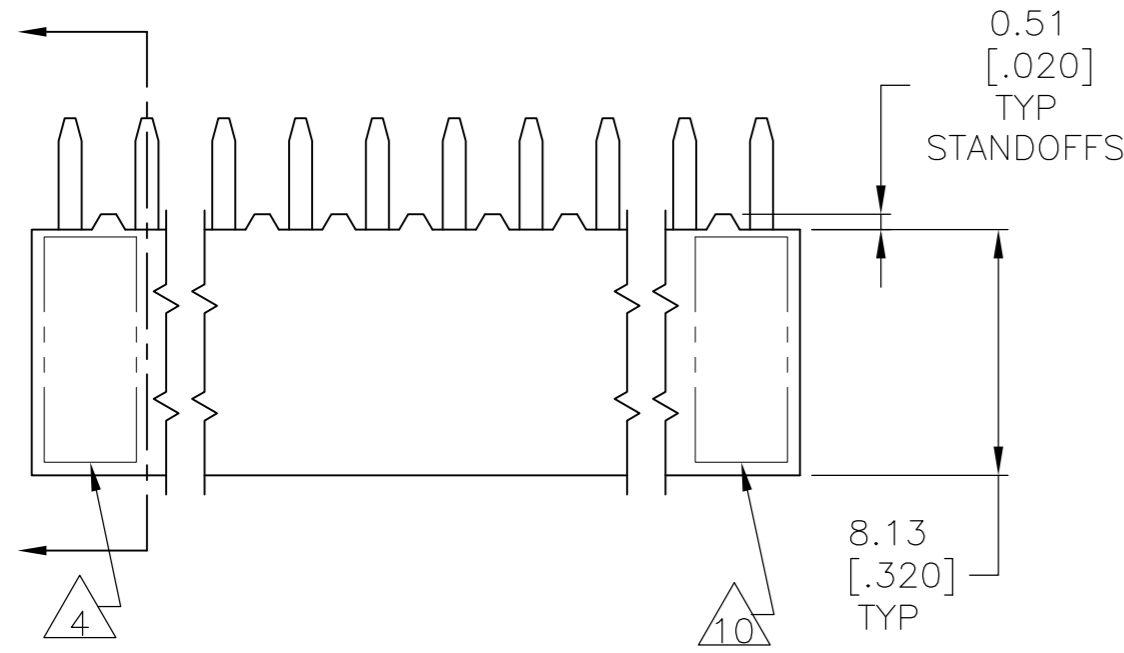
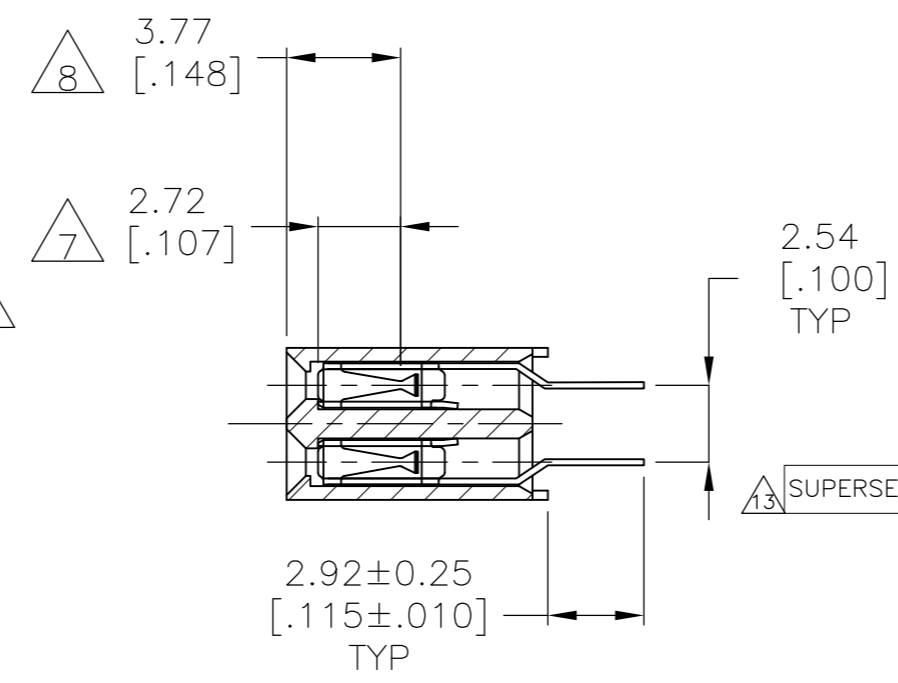
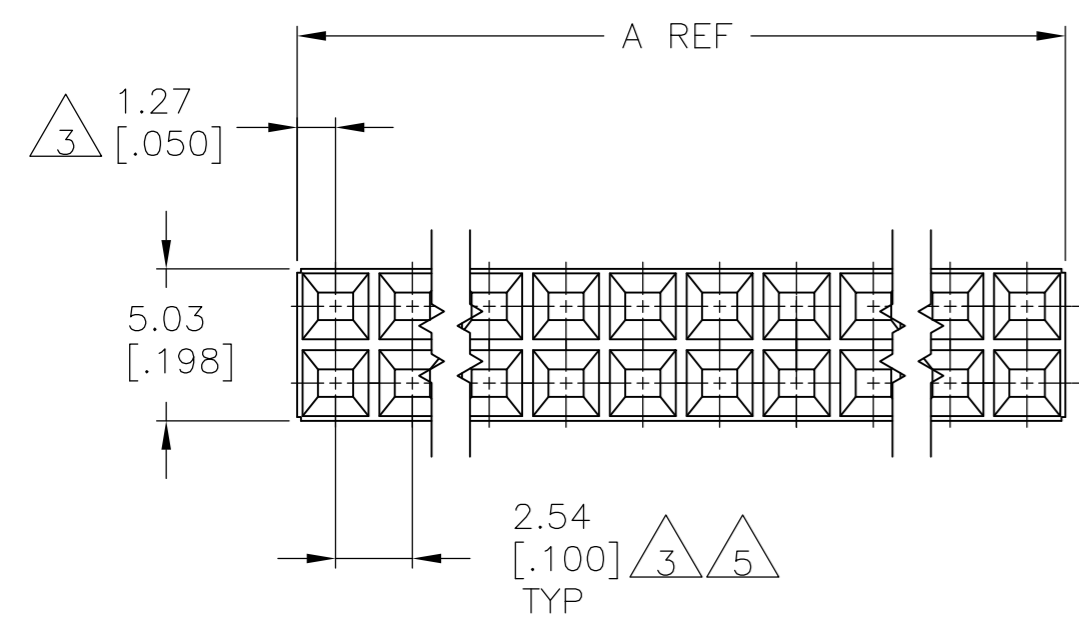


THIS DRAWING IS UNPUBLISHED. RELEASED FOR PUBLICATION
 © COPYRIGHT BY TYCO ELECTRONICS CORPORATION. ALL RIGHTS RESERVED.

LOC		DIST		REVISIONS			
P	LTR	DESCRIPTION	DATE	DWN	APVD		
	R2	REVISED PER ECO-08-019092	05AUG08	HMR	JO		
	R3	REVISED PER ECO-10-000443	12JAN09	KK	AEQ		



RECOMENDED PC BOARD HOLE PATTERN
 PC BOARD THICKNESS 1.57[.062]



FINISH	B	A	NO OF .POSN	PART NUMBER
13	2	80	4	534206-0
13	2	78	3	534206-9
13	2	76	3	534206-8
13	2	74	3	534206-7
13	2	72	3	534206-6
13	2	70	3	534206-5
13	2	68	3	534206-4
13	2	66	3	534206-3
13	2	64	3	534206-2
13	2	62	3	534206-1
13	2	60	3	534206-0
13	2	58	2	534206-9
13	2	56	2	534206-8
13	2	54	2	534206-7
13	2	52	2	534206-6
13	2	50	2	534206-5
13	2	48	2	534206-4
13	2	46	2	534206-3
13	2	44	2	534206-2
13	2	42	2	534206-1
13	2	40	2	534206-0
13	2	38	1	534206-9
13	2	36	1	534206-8
13	2	34	1	534206-7
13	2	32	1	534206-6
13	2	30	1	534206-5
13	2	28	1	534206-4
13	2	26	1	534206-3
13	2	24	1	534206-2
13	2	22	1	534206-1
13	2	20	1	534206-0
13	2	18		534206-9
13	2	16		534206-8
13	2	14		534206-7
13	2	12		534206-6
13	2	10		534206-5
13	2	8		534206-4
13	2	6		534206-3
13	2	4		534206-2
13	2	2		534206-1

- 1 HOUSING: FLAME RETARDANT, GLASS FILLED, POLYESTER, COLOR: BLACK. CONTACT: PHOSPHOR BRONZE
- 2 CONTACT: DUPLEX PLATED 0.76µm[.000030] GOLD IN CONTACT AREA, 3.81-7.62µm[.000150-.000300] BRIGHT TIN-LEAD ON LEADS ALL OVER 1.27µm[.000050] MINIMUM NICKEL
- 3 THESE DIMENSIONS PERTAIN TO CAVITY CENTERLINES ONLY - NOT TO CONTACT LOCATIONS
- 4 PART NUMBER AND DATE CODE ARE MARKED IN APPROXIMATE LOCATION SHOWN.
- 5 TOLERANCE IS NON-CUMULATIVE.
- 6 2 POSITION DATE CODE IS MARKED OPPOSITE SIDE OF TE LOGO.
- 7 POINT-OF-MEASUREMENT DIMENSION FOR PLATING THICKNESS (INSIDE CONTACT BEAM).
- 8 POINT-OF-CONTACT DIMENSION.
- 9 NO PART NUMBER MARKING REQUIRED FOR THIS PART.
- 10 TE LOGO AND CSA LOGO ARE MOLDED INTO HOUSING.
- 11 CONTACT: DUPLEX PLATED 0.76µm[.000030] MIN GOLD IN CONTACT AREA, 3.81-7.62µm[.000150-.000300] MATTE TIN ON LEADS ALL OVER 1.27µm[.000050] MIN NICKEL
- 12 ROHS 2002 /95/EC COMPLIANT.
- 13 OBSOLETE PARTS: OBSOLETE CIS STREAMLINING PER D.RENAUD/D.SINISI

THIS DRAWING IS A CONTROLLED DOCUMENT.

DIMENSIONS: mm [INCHES]	TOLERANCES UNLESS OTHERWISE SPECIFIED: 0 PLC ± - 1 PLC ± - 2 PLC ± 0.13[.005] 3 PLC ± - 4 PLC ± - ANGLES ± -	DWN M.BINNER 06NOV2002 CHK J.OLSON 06NOV02 APVD J.OLSON 06NOV02 PRODUCT SPEC 108-25022 APPLICATION SPEC 114-25018	Tyco Electronics Corporation Harrisburg, Pa 17105-3608	
MATERIAL 1	FINISH 2 11	WEIGHT -	SIZE A2	CAGE CODE 00779
CUSTOMER DRAWING		SCALE 4:1	SHEET 1 OF 2	REV R3

RECEPTACLE ASSEMBLY, MOD II, DOUBLE ROW, DUAL ENTRY, .100X.100CL, VERTICAL MOUNT, AMPMODU

RESTRICTED TO

THIS DRAWING IS UNPUBLISHED. RELEASED FOR PUBLICATION
 © COPYRIGHT BY TYCO ELECTRONICS CORPORATION. ALL RIGHTS RESERVED.

LOC	DIST	REVISIONS					
AD	00	P	LTR	DESCRIPTION	DATE	DWN	APVD
		-		SEE SHEET 1	-	-	-

OBSOLETE	1.1	99.06	[3.900]	101.60	[4.000]	80	9-534206-0
	1.1	96.52	[3.800]	99.06	[3.900]	78	8-534206-9
	1.1	93.98	[3.700]	96.52	[3.800]	76	8-534206-8
	1.1	91.44	[3.600]	93.98	[3.700]	74	8-534206-7
	1.1	88.90	[3.500]	91.44	[3.600]	72	8-534206-6
OBSOLETE	1.1	86.36	[3.400]	88.90	[3.500]	70	8-534206-5
	1.1	83.82	[3.300]	86.36	[3.400]	68	8-534206-4
OBSOLETE	1.1	81.28	[3.200]	83.82	[3.300]	66	8-534206-3
	1.1	78.74	[3.100]	81.28	[3.200]	64	8-534206-2
OBSOLETE	1.1	76.20	[3.000]	78.74	[3.100]	62	8-534206-1
	1.1	73.66	[2.900]	76.20	[3.000]	60	8-534206-0
OBSOLETE	1.1	71.12	[2.800]	73.66	[2.900]	58	7-534206-9
	1.1	68.58	[2.700]	71.12	[2.800]	56	7-534206-8
OBSOLETE	1.1	66.04	[2.600]	68.58	[2.700]	54	7-534206-7
	1.1	63.50	[2.500]	66.04	[2.600]	52	7-534206-6
OBSOLETE	1.1	60.96	[2.400]	63.50	[2.500]	50	7-534206-5
	1.1	58.42	[2.300]	60.96	[2.400]	48	7-534206-4
OBSOLETE	1.1	55.88	[2.200]	58.42	[2.300]	46	7-534206-3
	1.1	53.34	[2.100]	55.88	[2.200]	44	7-534206-2
OBSOLETE	1.1	50.80	[2.000]	53.34	[2.100]	42	7-534206-1
	1.1	48.26	[1.900]	50.80	[2.000]	40	7-534206-0
OBSOLETE	1.1	45.72	[1.800]	48.26	[1.900]	38	6-534206-9
	1.1	43.18	[1.700]	45.72	[1.800]	36	6-534206-8
OBSOLETE	1.1	40.64	[1.600]	43.18	[1.700]	34	6-534206-7
	1.1	38.10	[1.500]	40.64	[1.600]	32	6-534206-6
OBSOLETE	1.1	35.56	[1.400]	38.10	[1.500]	30	6-534206-5
	1.1	33.02	[1.300]	35.56	[1.400]	28	6-534206-4
OBSOLETE	1.1	30.48	[1.200]	33.02	[1.300]	26	6-534206-3
	1.1	27.94	[1.100]	30.48	[1.200]	24	6-534206-2
OBSOLETE	1.1	25.40	[1.000]	27.94	[1.100]	22	6-534206-1
	1.1	22.86	[.900]	25.40	[1.000]	20	6-534206-0
OBSOLETE	1.1	20.32	[.800]	22.86	[.900]	18	5-534206-9
	1.1	17.78	[.700]	20.32	[.800]	16	5-534206-8
OBSOLETE	1.1	15.24	[.600]	17.78	[.700]	14	5-534206-7
	1.1	12.70	[.500]	15.24	[.600]	12	5-534206-6
OBSOLETE	1.1	10.16	[.400]	12.70	[.500]	10	5-534206-5
	1.1	7.62	[.300]	10.16	[.400]	8	5-534206-4
OBSOLETE	1.1	5.08	[.200]	7.62	[.300]	6	5-534206-3
	1.1	2.54	[.100]	5.08	[.200]	4	5-534206-2
OBSOLETE	1.1	-		2.54	[.100]	2	5-534206-1

FINISH B A NO OF POSN PART NUMBER

THIS DRAWING IS A CONTROLLED DOCUMENT.		DWN M.BINNER 06NOV2002	Tyco Electronics Corporation Harrisburg, Pa 17105-3608	
DIMENSIONS: mm [INCHES]		CHK J.OLSON 06NOV02	NAME RECEPTACLE ASSEMBLY, MOD II, DOUBLE ROW, DUAL ENTRY, .100X.100CL, VERTICAL MOUNT, AMPMODU	
TOLERANCES UNLESS OTHERWISE SPECIFIED: 0 PLC ± - 1 PLC ± - 2 PLC ± 0.13[.005] 3 PLC ± - 4 PLC ± - ANGLES ± -		APVD J.OLSON 06NOV02	PRODUCT SPEC 108-25022	
MATERIAL		APPLICATION SPEC 114-25018	SIZE A2	CAGE CODE 00779
FINISH		WEIGHT -	DRAWING NO C=534206	RESTRICTED TO -
CUSTOMER DRAWING		SCALE 1:1		SHEET 2 OF 2
				REV R3