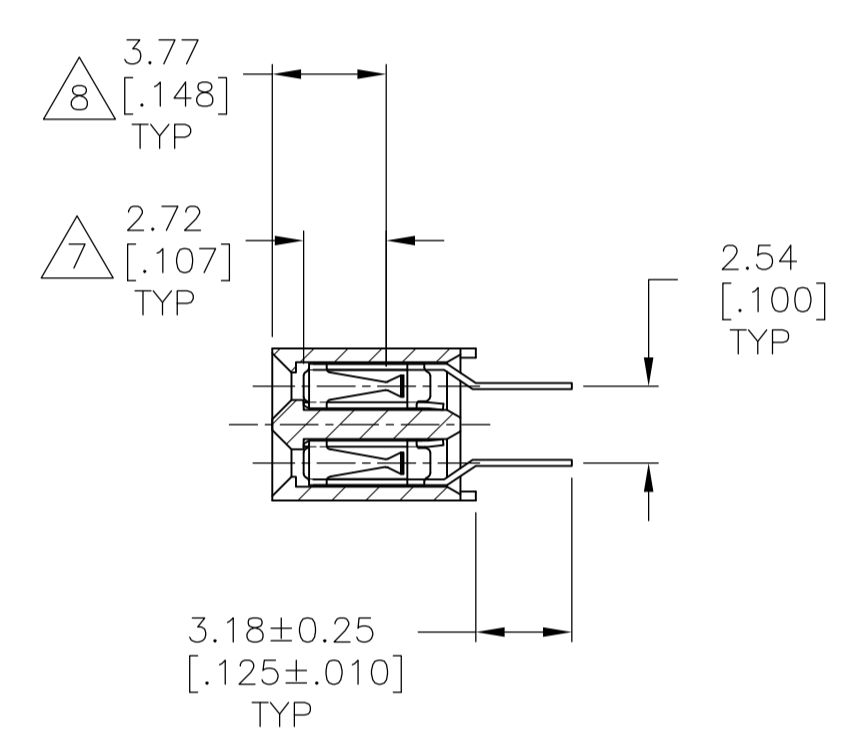
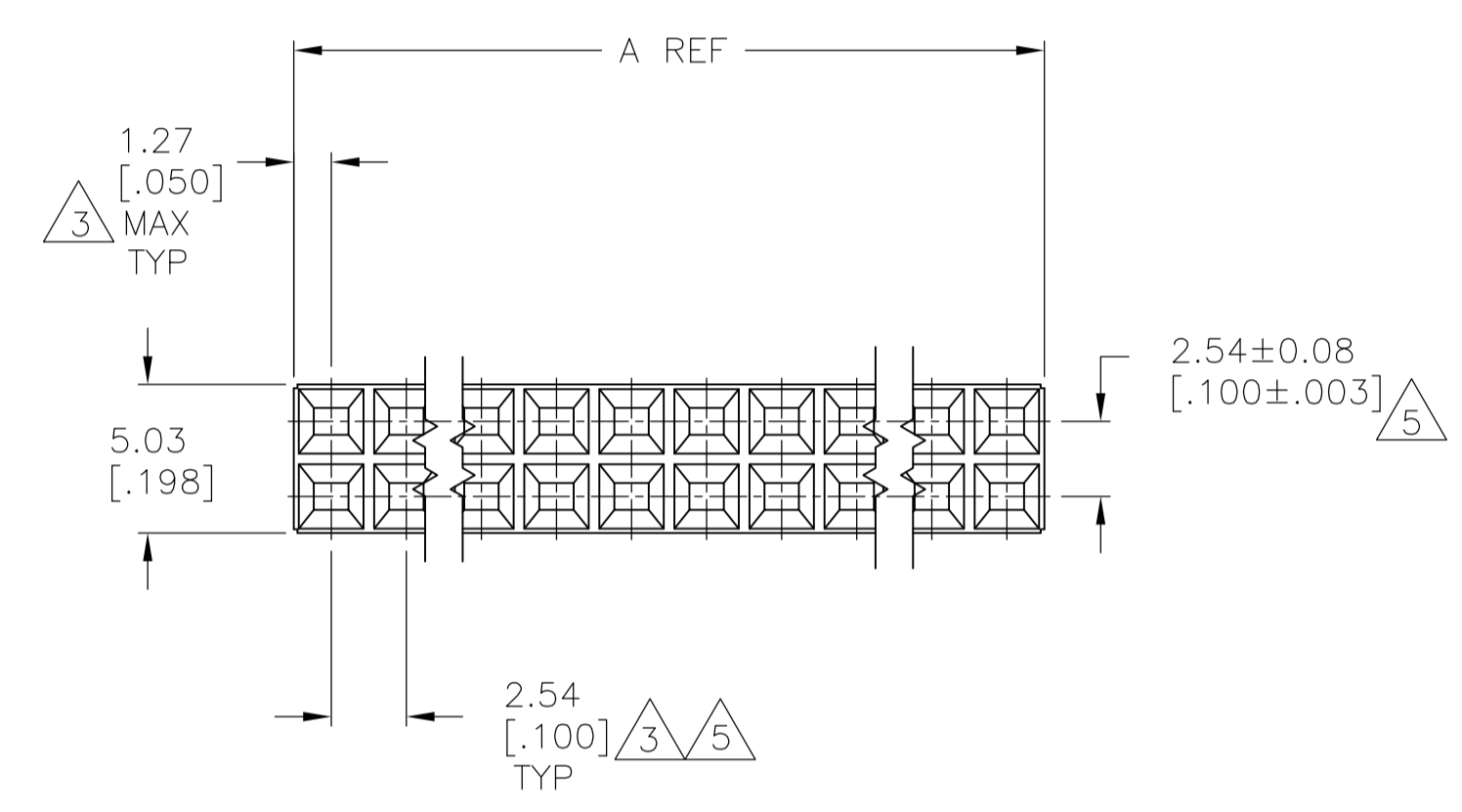
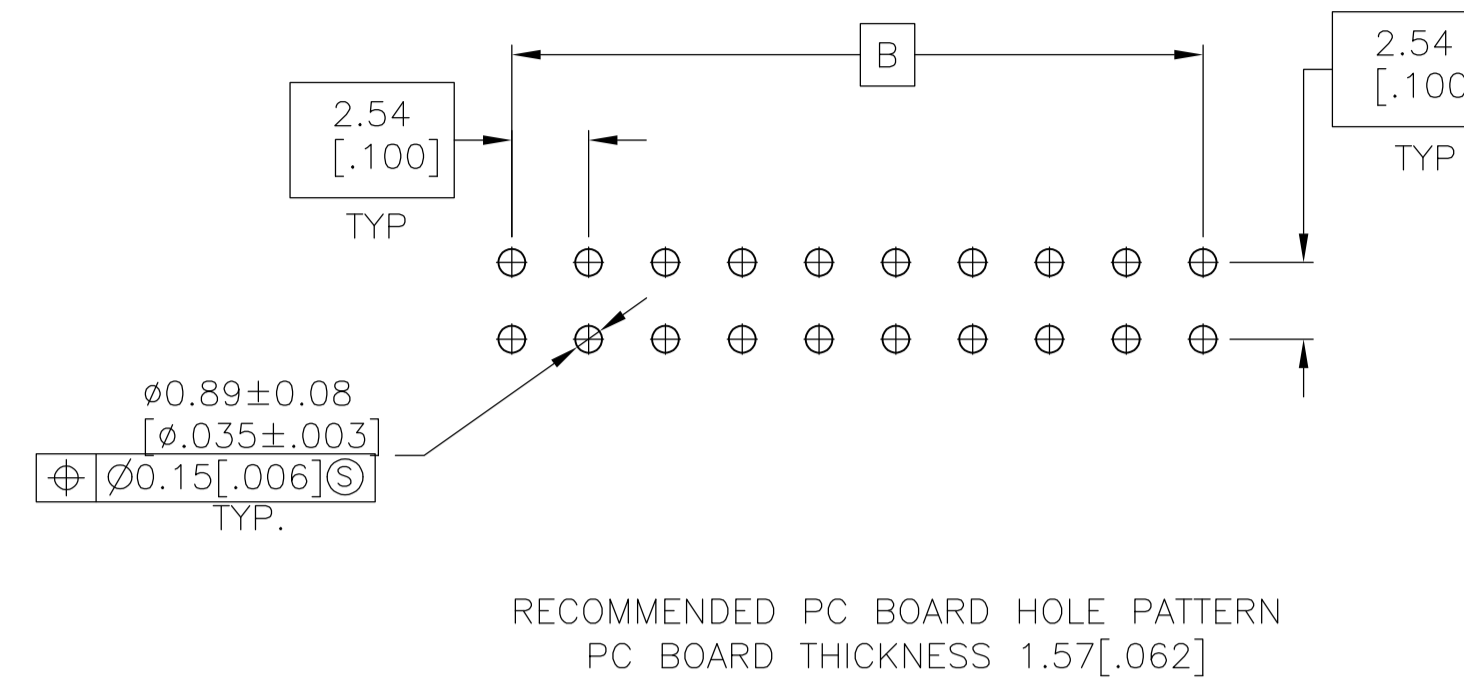
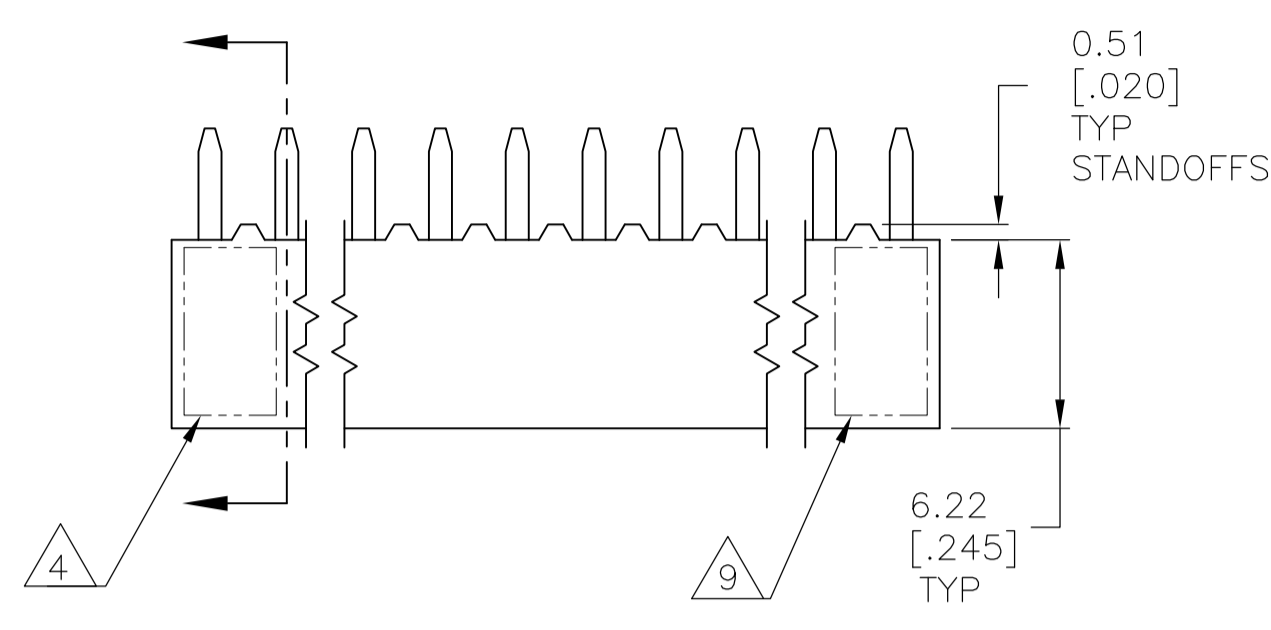


SEE SHEET 2
FOR P/N'S -51 THRU -90



13/2	OBSOLETE	88.90 [3.500]	91.44 [3.600]	72	3-534998-6
		86.36 [3.400]	88.90 [3.500]	70	3-534998-5
13/2	SUPERCEDED BY 8-534998-4	83.82 [3.300]	86.36 [3.400]	68	3-534998-4
		81.28 [3.200]	83.82 [3.300]	66	3-534998-3
13/2	OBSOLETE	78.74 [3.100]	81.28 [3.200]	64	3-534998-2
		76.20 [3.000]	78.74 [3.100]	62	3-534998-1
2	OBSOLETE	73.66 [2.900]	76.20 [3.000]	60	3-534998-0
		71.12 [2.800]	73.66 [2.900]	58	2-534998-9
13/2	SUPERCEDED BY 7-534998-6	68.58 [2.700]	71.12 [2.800]	56	2-534998-8
		66.04 [2.600]	68.58 [2.700]	54	2-534998-7
2	OBSOLETE	63.50 [2.500]	66.04 [2.600]	52	2-534998-6
		60.96 [2.400]	63.50 [2.500]	50	2-534998-5
13/2	OBSOLETE	58.42 [2.300]	60.96 [2.400]	48	2-534998-4
		55.88 [2.200]	58.42 [2.300]	46	2-534998-3
2	OBSOLETE	53.34 [2.100]	55.88 [2.200]	44	2-534998-2
		50.80 [2.000]	53.34 [2.100]	42	2-534998-1
2	OBSOLETE	48.26 [1.900]	50.80 [2.000]	40	2-534998-0
		45.72 [1.800]	48.26 [1.900]	38	1-534998-9
2	OBSOLETE	43.18 [1.700]	45.72 [1.800]	36	1-534998-8
		40.64 [1.600]	43.18 [1.700]	34	1-534998-7
2	OBSOLETE	38.10 [1.500]	40.64 [1.600]	32	1-534998-6
		35.56 [1.400]	38.10 [1.500]	30	1-534998-5
2	OBSOLETE	33.02 [1.300]	35.56 [1.400]	28	1-534998-4
		30.48 [1.200]	33.02 [1.300]	26	1-534998-3
2	OBSOLETE	27.94 [1.100]	30.48 [1.200]	24	1-534998-2
		25.40 [1.000]	27.94 [1.100]	22	1-534998-1
2	OBSOLETE	22.86 [.900]	25.40 [1.000]	20	1-534998-0
		20.32 [0.800]	22.86 [0.900]	18	534998-9
2	OBSOLETE	17.78 [0.700]	20.32 [0.800]	16	534998-8
		15.24 [0.600]	17.78 [0.700]	14	534998-7
2	OBSOLETE	12.70 [0.500]	15.24 [0.600]	12	534998-6
		10.16 [0.400]	12.70 [0.500]	10	534998-5
2/10	SUPERCEDED BY 9-534998-0	7.62 [0.300]	10.16 [0.400]	8	534998-4
		5.08 [0.200]	7.62 [0.300]	6	534998-3
2/10	OBSOLETE	2.54 [0.100]	5.08 [0.200]	4	534998-2
		-	2.54 [0.100]	2	6 534998-1
		B	A	NO OF POSN	PART NUMBER

- 1 HOUSING: FLAME RETARDANT, GLASS FILLED, THERMOPLASTIC, COLOR: BLACK. CONTACT: PHOSPHOR BRONZE
- 2 CONTACT: DUPLEX PLATED 0.76µm[.000030] GOLD IN CONTACT AREA, 3.81-7.62µm[.000150-.000300] BRIGHT TIN-LEAD ON LEADS, ALL OVER 1.27µm[.000050] NICKEL
- 3 THESE DIMENSIONS PERTAIN TO CAVITY CENTERLINES ONLY - NOT TO CONTACT LOCATIONS
- 4 PART NUMBER AND DATE CODE ARE MARKED IN APPROXIMATE LOCATION SHOWN.
- 5 TOLERANCE IS NON-CUMULATIVE.
- 6 2 POSITION DATE CODE IS MARKED OPPOSITE SIDE OF TE LOGO.
- 7 POINT-OF-MEASUREMENT DIMENSION FOR PLATING THICKNESS (INSIDE CONTACT BEAM).
- 8 POINT-OF-CONTACT DIMENSION.
- 9 TE TRADEMARK AND CSA LOGO ARE MOLDED INTO HOUSING, THIS LOCATION.
- 10 NO PART NUMBER MARKING REQUIRED FOR THIS PART.
- 11 CONTACT: DUPLEX PLATED 0.76µm[.000030] GOLD IN CONTACT AREA, 3.81-7.62µm[.000150-.000300] MATTE TIN ON LEADS, ALL OVER 1.27µm[.000050] NICKEL
- 12 ROHS 2002/95/EC COMPLIANT
- 13 OBSOLETE PARTS: OBSOLETE CIS STREAMLINING PER D.RENAUD/D.SINISI

13/2	SUPERCEDED BY 9-534998-0	99.06 [3.900]	101.60 [4.000]	80	4-534998-0
13/2	OBSOLETE	96.52 [3.800]	99.06 [3.900]	78	3-534998-9
		93.98 [3.700]	96.52 [3.800]	76	3-534998-8
		91.44 [3.600]	93.98 [3.700]	74	3-534998-7
		B	A	NO OF POSN	PART NUMBER

THIS DRAWING IS A CONTROLLED DOCUMENT.

DIMENSIONS: mm [INCHES]	TOLERANCES UNLESS OTHERWISE SPECIFIED:	DIN M. BINNER 06NOV02	APVD J. JOLSON 06NOV02	NAME J. JOLSON 06NOV02	RECEPACLE ASSEMBLY, MOD IV, DOUBLE ROW, DUAL ENTRY, .100X.100CL, VERTICAL MOUNT, AMPMODU
0 PLC ± -	1 PLC ± ± 0.13[.005]	2 PLC ± ± -	3 PLC ± ± -	4 PLC ± ± -	ANGLES ± ± -
MATERIAL 1	FINISH 2	SIZE A1	WEIGHT -	CAGE CODE 00779	DRAWING NO. 534998
CUSTOMER DRAWING		SCALE 4:1	SHEET 1 OF 2	REV P4	

Tyco Electronics Corporation
Harrisburg, Pa 17105-3608

LOC		DIST		REVISIONS			
AD	00	P	LTR	DESCRIPTION	DATE	DN	APVD
-	-	-	-	SEE SHEET 1	-	-	-

	B	A	NO OF POSN	PART NUMBER
	88.90 [3.500]	91.44 [3.600]	72	8-534998-6
OBSOLETE	86.36 [3.400]	88.90 [3.500]	70	8-534998-5
	83.82 [3.300]	86.36 [3.400]	68	8-534998-4
	81.28 [3.200]	83.82 [3.300]	66	8-534998-3
OBSOLETE	78.74 [3.100]	81.28 [3.200]	64	8-534998-2
	76.20 [3.000]	78.74 [3.100]	62	8-534998-1
	73.66 [2.900]	76.20 [3.000]	60	8-534998-0
	71.12 [2.800]	73.66 [2.900]	58	7-534998-9
OBSOLETE	68.58 [2.700]	71.12 [2.800]	56	7-534998-8
	66.04 [2.600]	68.58 [2.700]	54	7-534998-7
	63.50 [2.500]	66.04 [2.600]	52	7-534998-6
	60.96 [2.400]	63.50 [2.500]	50	7-534998-5
	58.42 [2.300]	60.96 [2.400]	48	7-534998-4
OBSOLETE	55.88 [2.200]	58.42 [2.300]	46	7-534998-3
	53.34 [2.100]	55.88 [2.200]	44	7-534998-2
OBSOLETE	50.80 [2.000]	53.34 [2.100]	42	7-534998-1
	48.26 [1.900]	50.80 [2.000]	40	7-534998-0
	45.72 [1.800]	48.26 [1.900]	38	6-534998-9
	43.18 [1.700]	45.72 [1.800]	36	6-534998-8
	40.64 [1.600]	43.18 [1.700]	34	6-534998-7
	38.10 [1.500]	40.64 [1.600]	32	6-534998-6
	35.56 [1.400]	38.10 [1.500]	30	6-534998-5
	33.02 [1.300]	35.56 [1.400]	28	6-534998-4
	30.48 [1.200]	33.02 [1.300]	26	6-534998-3
	27.94 [1.100]	30.48 [1.200]	24	6-534998-2
OBSOLETE	25.40 [1.000]	27.94 [1.100]	22	6-534998-1
	22.86 [.900]	25.40 [1.000]	20	6-534998-0
	20.32 [.800]	22.86 [.900]	18	5-534998-9
	17.78 [.700]	20.32 [.800]	16	5-534998-8
	15.24 [.600]	17.78 [.700]	14	5-534998-7
	12.70 [.500]	15.24 [.600]	12	5-534998-6
	10.16 [.400]	12.70 [.500]	10	5-534998-5
	7.62 [.300]	10.16 [.400]	8	5-534998-4
	5.08 [.200]	7.62 [.300]	6	5-534998-3
	2.54 [.100]	5.08 [.200]	4	5-534998-2
	-	2.54 [.100]	2	5-534998-1

	99.06 [3.900]	101.60 [4.000]	80	9-534998-0
OBSOLETE	96.52 [3.800]	99.06 [3.900]	78	8-534998-9
	93.98 [3.700]	96.52 [3.800]	76	8-534998-8
	91.44 [3.600]	93.98 [3.700]	74	8-534998-7
	B	A	NO OF POSN	PART NUMBER

THIS DRAWING IS A CONTROLLED DOCUMENT.

DIN	M. BINNER	06NOV02		Tyco Electronics Corporation	
CHK	J. JOHNSON	06NOV02		Harrisburg, Pa 17105-3608	
APVD	J. JOHNSON	06NOV02	NAME	RECEPTACLE ASSEMBLY, MOD IV, DOUBLE ROW, DUAL ENTRY, .100X.100CL, VERTICAL MOUNT, AMPMODU	
DIMENSIONS: mm [INCHES]			TOLERANCES UNLESS OTHERWISE SPECIFIED:	SIZE CASE CODE DRAWING NO	
0 PLC ± -			1 PLC ± -	A1 00779	
2 PLC ± 0.13[.005]			3 PLC ± -	C=534998	
4 PLC ± -			ANGLES ± -	RESTRICTED TO	
FINISH			1	CUSTOMER DRAWING	
2			SCALE 4:1 SHEET 2 OF 2 REV P4		