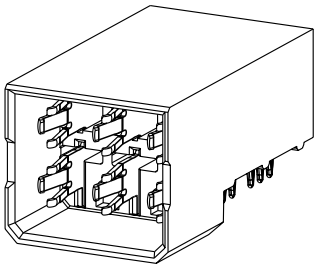
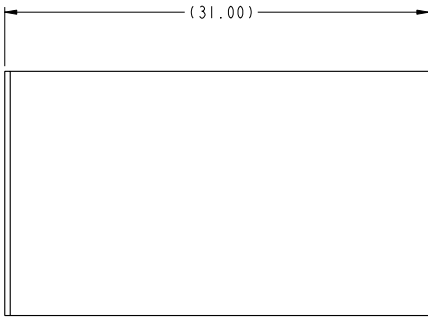
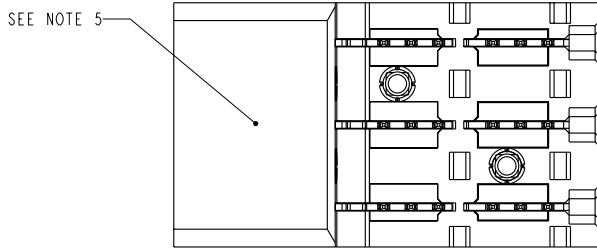
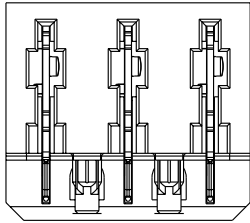
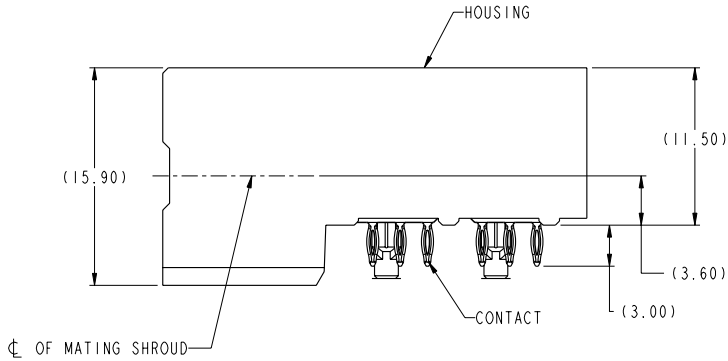
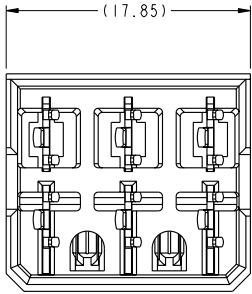


PRODUCT NUMBER	CONTACT PLATING NOTE
10061289-001LF	NOTE 2



SCALE 3:1

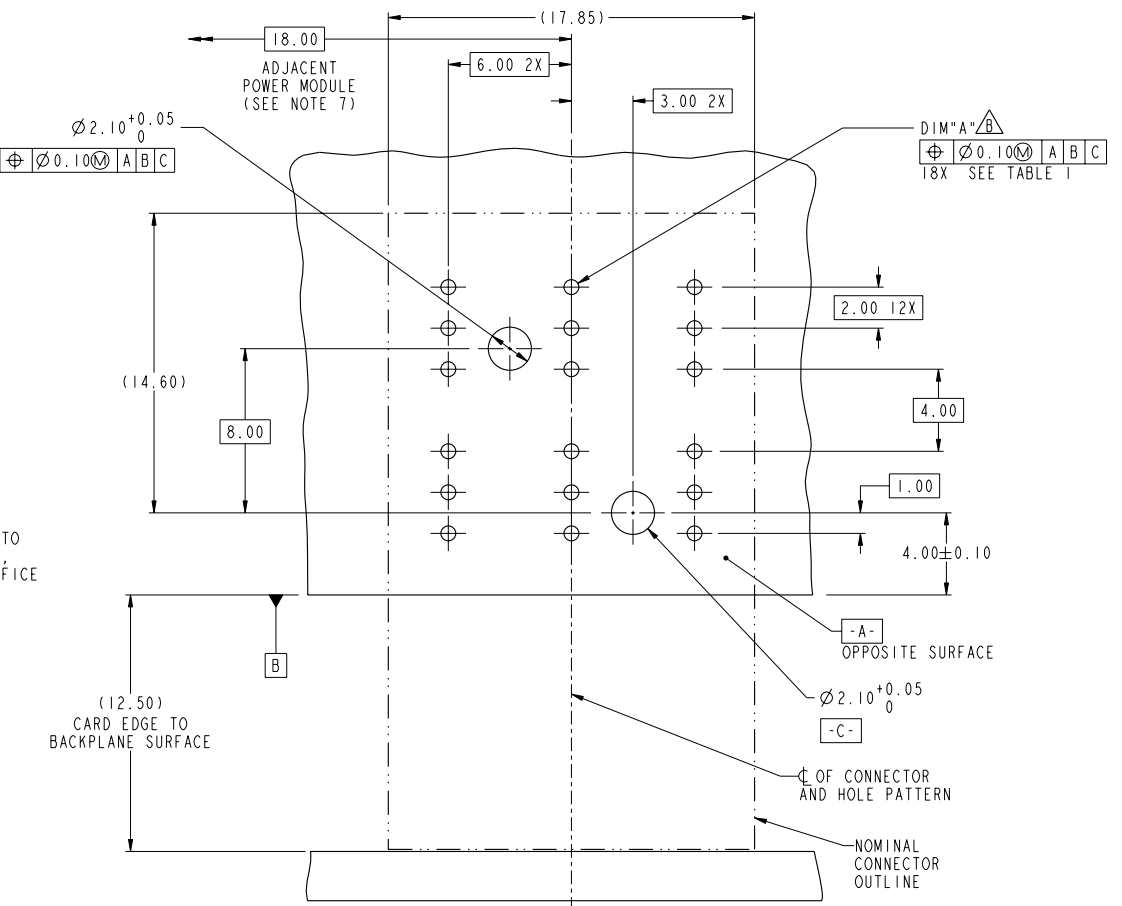


Copyright FCJ

CONFIDENTIAL

www.fciconnect.com		surface ASME Y14.5 ✓	tolerance std ASME Y14.5	projection	MM
		TOLERANCES UNLESS OTHERWISE SPECIFIED		size A2	Scale 4:1
Dr T. HOUTZ	2005-09-26	ANGULAR	0.X	ECN S10-0086	Rev. B
Eng ANDREW YONG	2010-05-11	LINEAR	0.xx	Spec.ref GS-12-220	
Chr C. H. TAN	2010-05-11	0° ±	0.xxx		
Appr JOEY NG	2010-05-11	Product family	2mm High Power		
FCJ		HEADER ASSEMBLY, 2X3,		10061289	
POWER		catalog no		CUSTOMER sheet 1 of 2	

TOP LAYER DESCRIPTION	TABLE I PLATED THROUGH-HOLE REQUIREMENTS							
	DRILLED HOLE DIAMETER	COPPER THICKNESS	TIN-LEAD THICKNESS	NICKEL THICKNESS	GOLD THICKNESS	TIN THICKNESS	SILVER THICKNESS	FINISHED HOLE DIAMETER (DIM"A") [△]
TIN-LEAD	0.81-0.86 (0.85 DRILL)	0.025 - 0.050	0.005 - 0.015	--	--	--	--	0.65 - 0.80
IMMERSION TIN	0.81-0.86 (0.85 DRILL)	0.025 - 0.050	--	--	--	0.9 - 1.5um	--	0.70 - 0.80
IMMERSION SILVER	0.81-0.86 (0.85 DRILL)	0.025 - 0.050	--	--	--	--	0.15 - 0.65um	0.70 - 0.80
COPPER (SEE NOTE 11)	0.81-0.86 (0.85 DRILL)	0.025 - 0.050	--	--	--	--	--	0.70 - 0.80
GOLD	0.81-0.86 (0.85 DRILL)	0.025 - 0.050	--	0.003 - 0.007	FLASH UP TO 0.0002	--	--	0.69 - 0.80



NOTES:

1. CONNECTOR MATERIALS:
HOUSING: HIGH TEMPERATURE THERMOPLASTIC, BLACK
UL 94V-0 COMPLIANT
CONTACT: HIGH PERFORMANCE COPPER ALLOY
2. CONTACT PLATING:
PRESS-FIT TAIL: 0.5um MIN MATT TIN OVER NICKEL.

SEPARABLE INTERFACE: PERFORMANCE-BASED PLATING, QUALIFIED TO MEET THE REQUIREMENT OF FCI PRODUCT SPECIFICATION GS-12-220, INCLUDING TELCORDIA GR-1217-CORE (NOVEMBER 1995) CENTRAL OFFICE
3. PRODUCT SPECIFICATION: GS-12-220
4. APPLICATION SPECIFICATION: GS-20-023
5. PRODUCT MARKING (PRODUCT NUMBER & LOT CODE) ON HOUSING.
6. MINIMUM NOMINAL PCB THICKNESS: 1.6mm
7. REFER TO CUSTOMER DRAWING 10035911 FOR INFORMATION REGARDING PCB LAYOUT OF POWER AND GUIDE MODULES RELATIVE TO SIGNAL MODULES.
8. PRODUCT MEETS EUROPEAN UNION DIRECTIVES AND OTHER COUNTRY REGULATIONS AS DESCRIBED IN FCI SPECIFICATION GS-22-008.
9. PACKAGING MEETS FCI SPECIFICATION GS-14-920.
10. HOUSING COMPONENT WILL WITHSTAND EXPOSURE TO 260°C PEAK TEMPERATURE FOR 60 SECONDS IN A CONVECTION, INFRA-RED, OR VAPOR PHASE REFLOW OVEN.
11. COPPER PLATING THICKNESS IN CENTER OF VIA-HOLE CAN BE NO MORE THAN 0.003 LESS THAN OTHER AREAS.

RECOMMENDED PCB LAYOUT,
COMPONENT SIDE
SCALE 6:1

Copyright FCI.

FCI	HEADER ASSEMBLY, 2X3,	dag no	10061289	Rev.	B
	POWER	customer		sheet	2 of 2