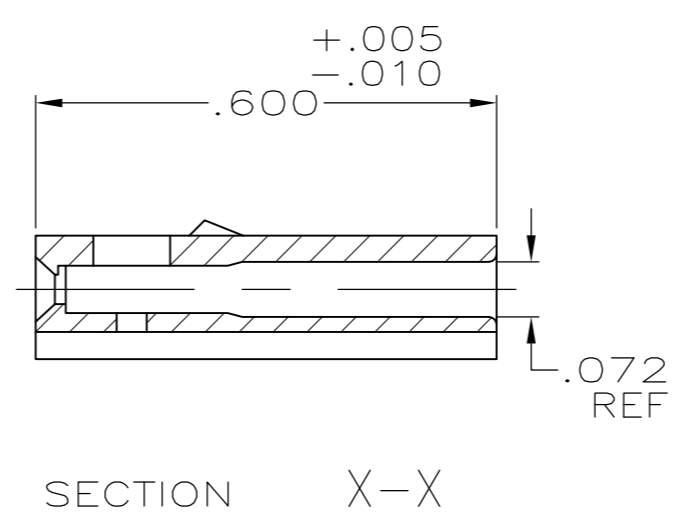
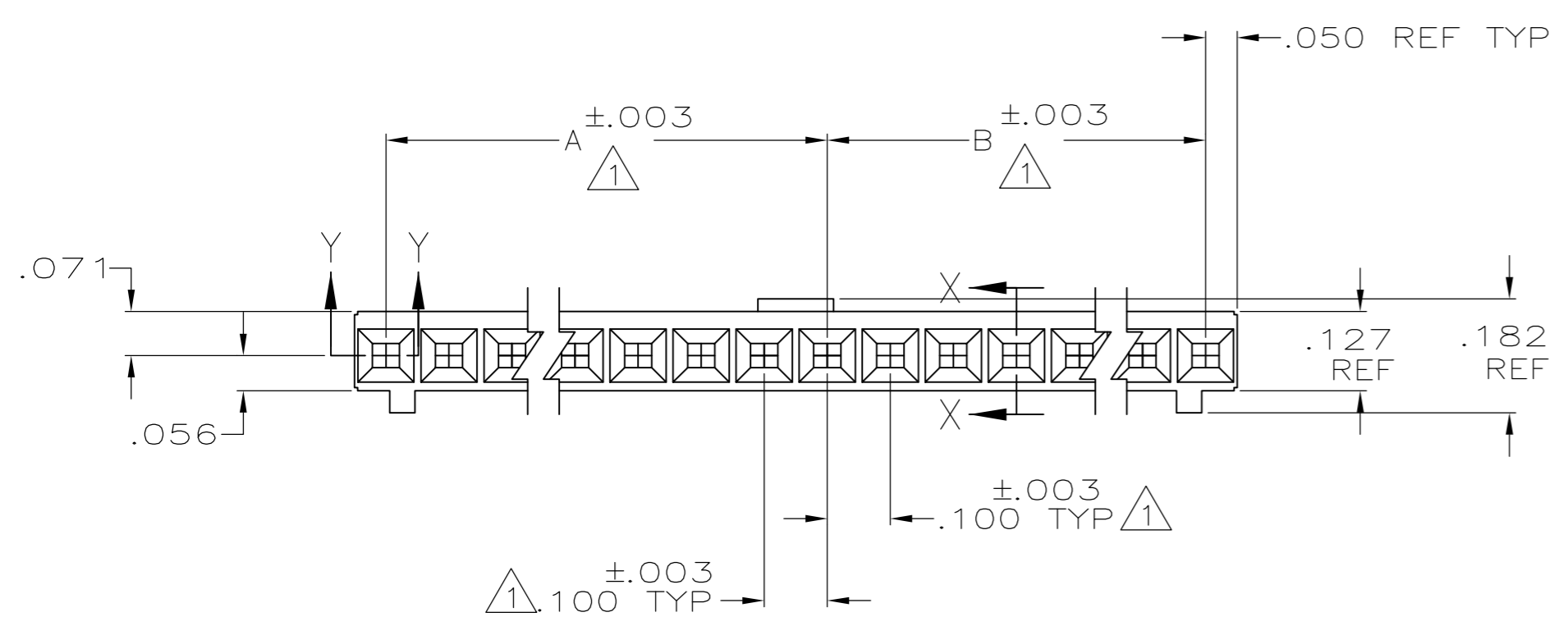
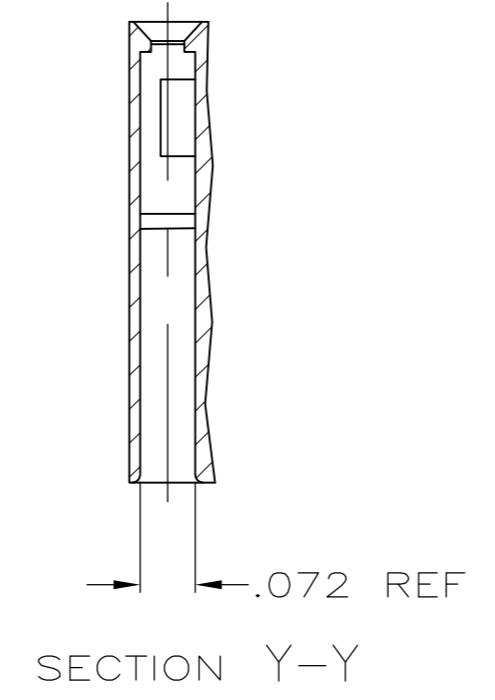
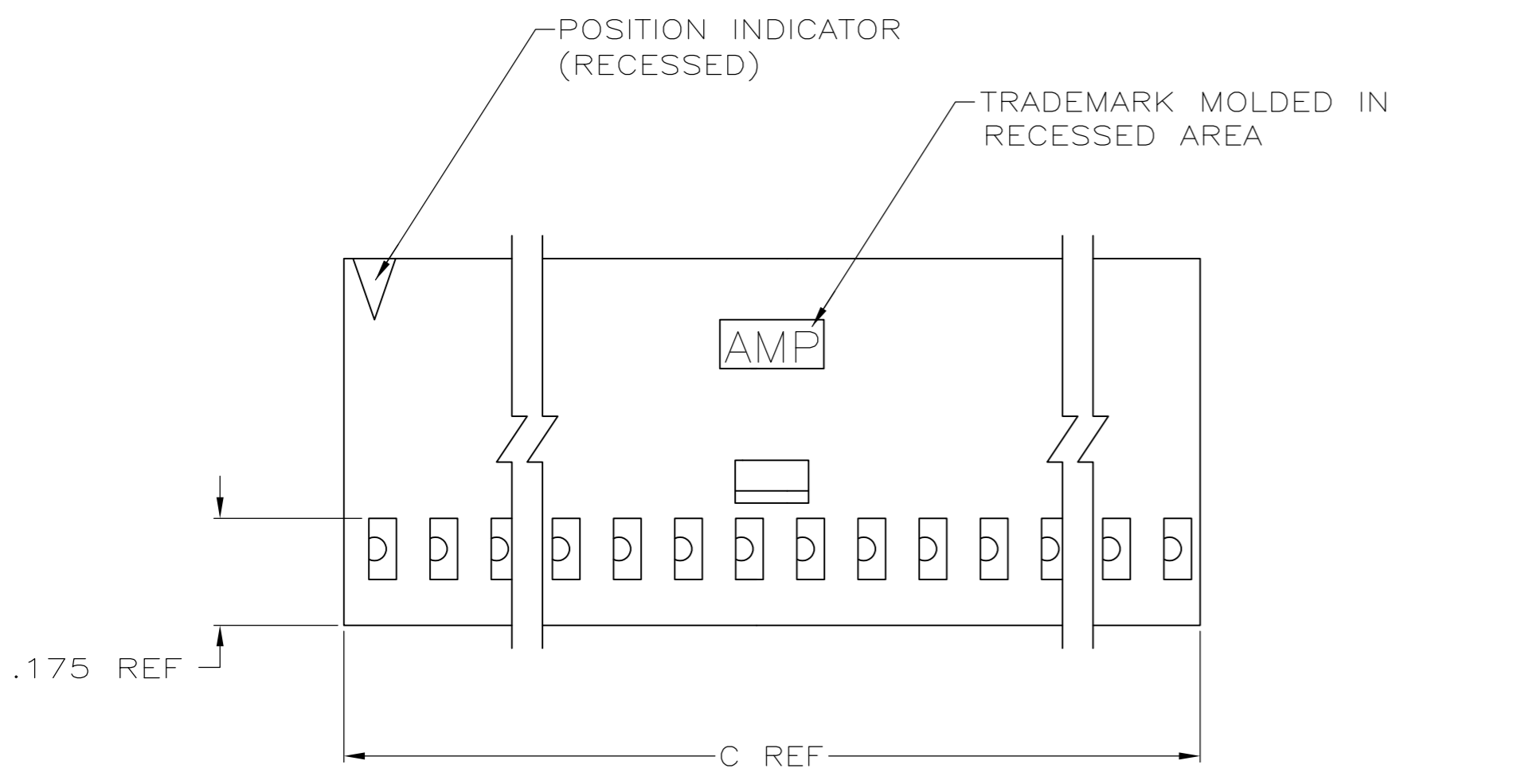


THIS DRAWING IS UNPUBLISHED. RELEASED FOR PUBLICATION
 © COPYRIGHT BY TYCO ELECTRONICS CORPORATION. ALL RIGHTS RESERVED.

LOC	DIST	REVISIONS					
		P	LTR	DESCRIPTION	DATE	DWN	APVD
AD	39		N1	ECO--06-9241	27APR06	MB	DR
			N2	REVISED PER ECO-09-021826	06JAN10	KK	AEG



3	OBSOLETE	C	B	A	NO OF POS	PART NUMBER
		3.600	1.700	1.800	36	3-102241-4
		3.500	1.700	1.700	35	3-102241-3
		3.400	1.600	1.700	34	3-102241-2
		3.300	1.600	1.600	33	3-102241-1
		3.200	1.500	1.600	32	3-102241-0
		3.100	1.500	1.500	31	2-102241-9
		3.000	1.400	1.500	30	2-102241-8
		2.900	1.400	1.400	29	2-102241-7
		2.800	1.300	1.400	28	2-102241-6
		2.700	1.300	1.300	27	2-102241-5
		2.600	1.200	1.300	26	2-102241-4
		2.500	1.200	1.200	25	2-102241-3
		2.400	1.100	1.200	24	2-102241-2
		2.300	1.100	1.100	23	2-102241-1
		2.200	1.000	1.100	22	2-102241-0
	3	2.100	1.000	1.000	21	1-102241-9
		2.000	.900	1.000	20	1-102241-8
		1.900	.900	.900	19	1-102241-7
		1.800	.800	.900	18	1-102241-6
		1.700	.800	.800	17	1-102241-5
		1.600	.700	.800	16	1-102241-4
		1.500	.700	.700	15	1-102241-3
		1.400	.600	.700	14	1-102241-2
		1.300	.600	.600	13	1-102241-1
		1.200	.500	.600	12	1-102241-0
		1.100	.500	.500	11	102241-9
		1.000	.400	.500	10	102241-8
		.900	.400	.400	9	102241-7
		.800	.300	.400	8	102241-6
		.700	.300	.300	7	102241-5
		.600	.200	.300	6	102241-4
		.500	.200	.200	5	102241-3
		.400	.100	.200	4	102241-2
		.300	.100	.100	3	102241-1

- 1 CAVITY LOCATION DIMENSIONS INCREASE IN INCREMENTS OF .100 TOLERANCE NON-CUMULATIVE
- 2 USE EXTRACTION TOOL 91052-1 TO REMOVE RECEPTACLE CONTACTS
- 3 OBSOLETE PARTS: OBSOLETE CIS STREAMLINING PER D.RENAUD/D.SINISI

THIS DRAWING IS A CONTROLLED DOCUMENT.

DWN D FABIAN 8-2-78
 CHK B WOLFE 10-27-78

Tyco Electronics
 Tyco Electronics Corporation
 Harrisburg, PA 17105-3608

NAME: CONN HOUSING, CRIMP SNAP-IN MOD IV, SINGLE ROW, .100 CENTERS, WITH POLARIZATION AND DETENTS

SIZE: A2 CAGE CODE: 00779 DRAWING NO: 102241 RESTRICTED TO: -

MATERIAL: GLASS FIBER REINFORCED POLYAMIDE 66 COLOR: BLACK PER ASTM D4066 FINISH: -

TOLERANCES UNLESS OTHERWISE SPECIFIED:
 0 PLC ± -
 1 PLC ± -
 2 PLC ± -
 3 PLC ± .005
 4 PLC ± -
 ANGLES ± -

PRODUCT SPEC: -
 APPLICATION SPEC: -

WEIGHT: -

CUSTOMER DRAWING

SCALE: - SHEET: 1 of 1 REV: N2