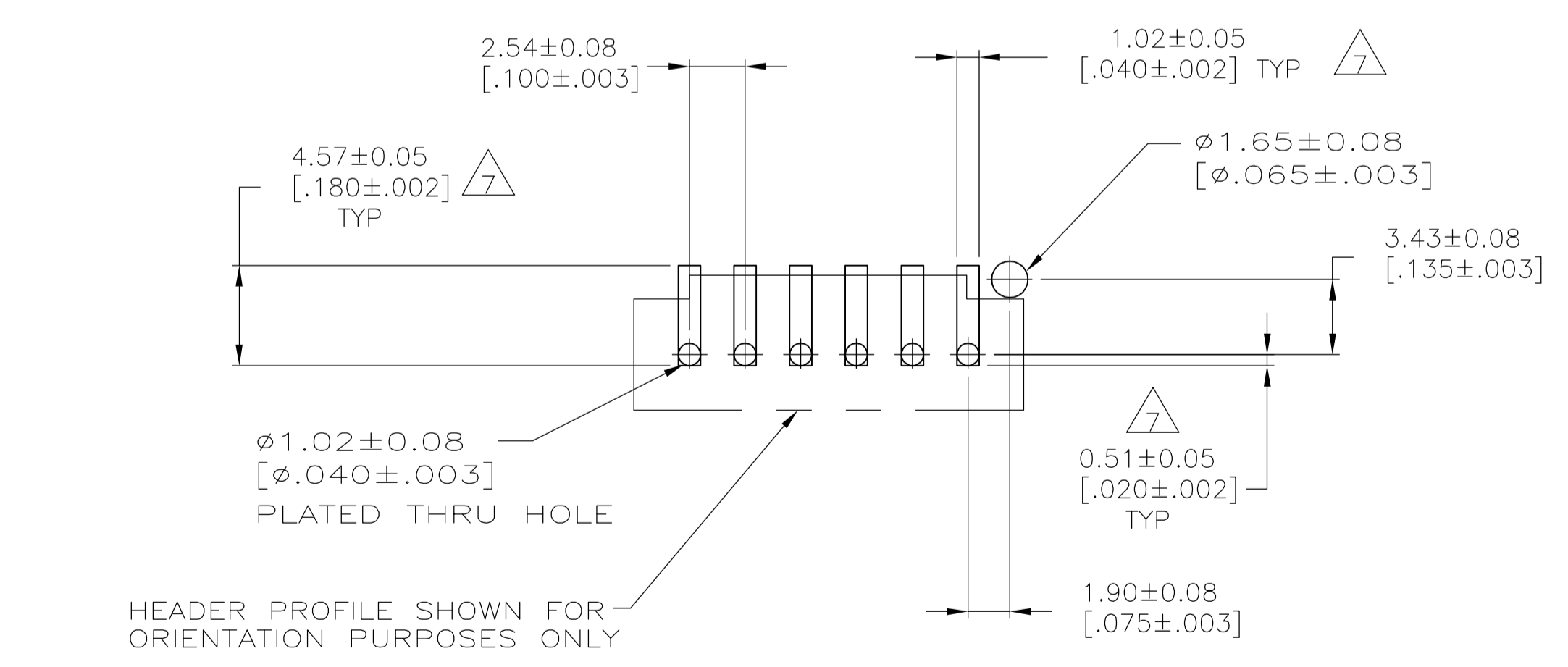


- 1 FINISH: .00038[.000015] GOLD IN THE CONTACT AREA, .00254[.000100] MATTE TIN-LEAD ON REMAINDER OF CONTACT, ALL OVER .00127[.000050] NICKEL.
- 2 POINT OF MEASUREMENT FOR PLATING THICKNESS.
- 3 THE NOTED DIMENSIONS APPLY FROM THE BASIC DIMENSION CENTER LINE (NOT THE POST CENTER LINE) TO THE SURFACE INDICATED.
- 4 ONE POLARIZATION SLOT FOR 2 AND 3 POSITION ASSEMBLIES ONLY.
- 5 SELECT POST TAILS FORMED TO PROVIDE CONNECTOR HOLD DOWN UNTIL SOLDERED, CONFIGURATION ACCEPTS 0.69[.027]-2.03[.080] THICK PRINTED CIRCUIT BOARD. (SEE DETAIL Z).
- 6 PARTS ARE PACKAGED IN GANG OF TUBES.
- 7 DIMENSIONS NOTED ARE FOR SOLDER STENCIL LAYOUT FOR USE WITH 1.58 ± 0.20 [.062 ± .008] THICK PRINTED CIRCUIT BOARDS.
- 8 MATERIAL- HOUSING: HIGH TEMP THERMOPLASTIC, COLOR-BLACK. POSTS: BRASS.
- 9 FINISH: .00038[.000015] GOLD IN THE CONTACT AREA, .00254[.000100] MATTE TIN ON REMAINDER OF CONTACT, ALL OVER .00127[.000050] NICKEL.



RECOMMENDED PC BOARD MOUNTING DIMENSIONS
RECOMMENDED STENCIL THICKNESS = 0.25[.010]

9	33.02 [1.300]	30.99 [1.220]	11	12	6-104809-1
9	30.48 [1.200]	28.45 [1.120]	10	11	6-104809-0
9	27.94 [1.100]	25.91 [1.020]	9	10	5-104809-9
9	25.40 [1.000]	23.37 [.920]	8	9	5-104809-8
9	22.86 [.900]	20.83 [.820]	7	8	5-104809-7
9	20.32 [.800]	18.29 [.720]	6	7	5-104809-6
9	17.78 [.700]	15.75 [.620]	5	6	5-104809-5
9	15.24 [.600]	13.21 [.520]	4	5	5-104809-4
9	12.70 [.500]	10.67 [.420]	3	4	5-104809-3
9	10.16 [.400]	8.13 [.320]	2	3	5-104809-2
9	7.62 [.300]	5.59 [.220]	1	2	5-104809-1
1	33.02 [1.300]	30.99 [1.220]	11	12	1-104809-1
1	30.48 [1.200]	28.45 [1.120]	10	11	1-104809-0
1	27.94 [1.100]	25.91 [1.020]	9	10	104809-9
1	25.40 [1.000]	23.37 [.920]	8	9	104809-8
1	22.86 [.900]	20.83 [.820]	7	8	104809-7
1	20.32 [.800]	18.29 [.720]	6	7	104809-6
1	17.78 [.700]	15.75 [.620]	5	6	104809-5
1	15.24 [.600]	13.21 [.520]	4	5	104809-4
1	12.70 [.500]	10.67 [.420]	3	4	104809-3
1	10.16 [.400]	8.13 [.320]	2	3	104809-2
1	7.62 [.300]	5.59 [.220]	1	2	104809-1
PLATING	C	B	A	NO. OF POSN	PART NO.

THIS DRAWING IS A CONTROLLED DOCUMENT.

DIMENSIONS: mm [INCHES]	TOLERANCES UNLESS OTHERWISE SPECIFIED:	DIN R BROWN 09FEB01	CHK K WRIGHT 09FEB01	APVD K WRIGHT 09FEB01	NAME PLZD HDR ASSY, AMPMODU MTE, VERTICAL SINGLE ROW, 2.54[.100] CL, 0.64[.025] SQ POSTS, WITH LATCHING & HOLD DOWN
0 PLC ± -	1 PLC ± -	2 PLC ± 0.13[.005]	3 PLC ± -	4 PLC ± -	ANGLES ± -
MATERIAL SEE NOTE 8	FINISH SEE TABLE	WEIGHT -	SIZE A1	SCALE 4:1	RESTRICTED TO

THIS DRAWING IS A CONTROLLED DOCUMENT. Tyco Electronics Corporation Harrisburg, Pa 17105-3608

00779C=104809

CUSTOMER DRAWING SCALE 4:1 SHEET 1 OF 1 REV L