

# Vertical Test Jacks

Application • Test Points

## Insulated: Machined Contact

### SPECIFICATIONS:

**Contact:** Beryllium copper per QQ-C-530

**Finish:** Silver

**Body:** Nylon 6/6 per ASTM D4066

### RATINGS

**Current:** 5 amps

**Breakdown Voltage:** 3500 Vrms minimum †

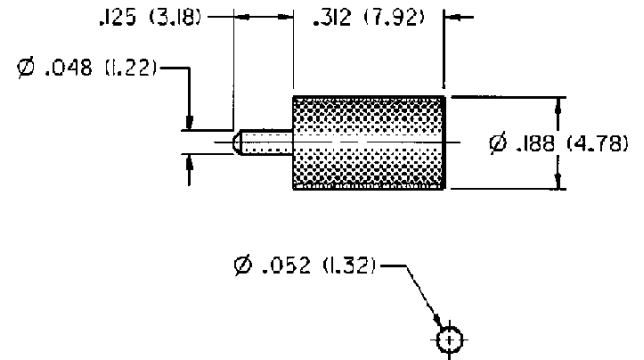
**Contact Resistance:** 0.010 ohms maximum

**Adjacent Jack C:** 1 pF maximum at 1 MHz

**For Standard Tip Plug: .080 (2.00) Diameter**

### FEATURES:

- Contact protected from flux and solder
- Nylon UL approved for self extinguishing



MOUNTING HOLE LAYOUT

### SILVER PLATING

PART NO.	COLOR
105-0860-001	Blue