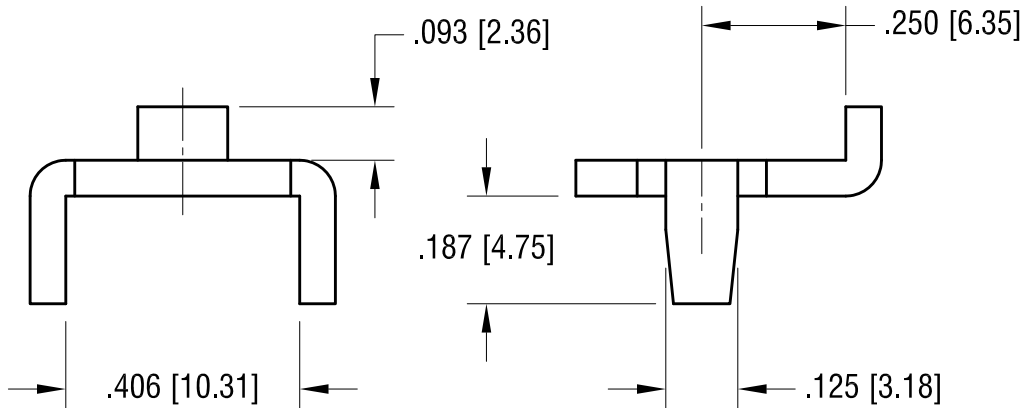
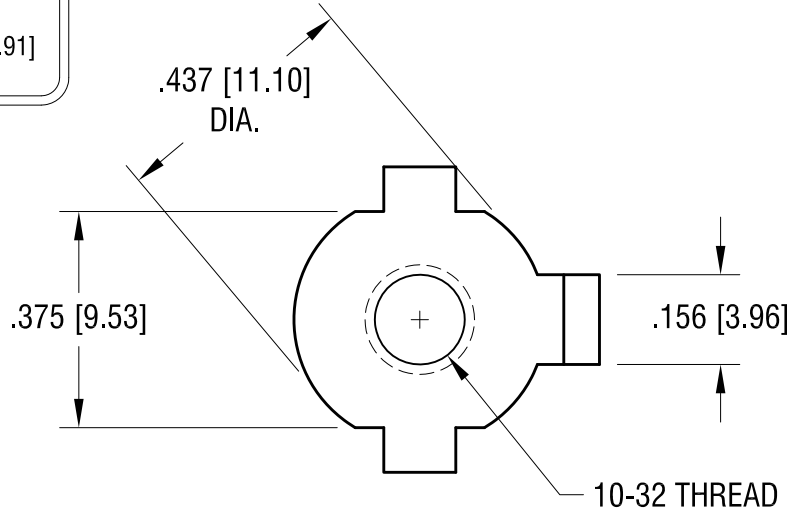
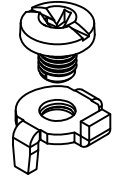
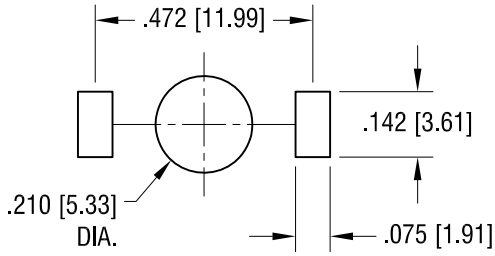


THIS DOCUMENT IS THE PROPERTY OF KEYSTONE ELECTRONICS CORP. AND SHALL NOT BE REPRODUCED, DISTRIBUTED OR USED AS A BASIS FOR MANUFACTURE WITHOUT PRIOR WRITTEN PERMISSION FROM KEYSTONE ELECTRONICS CORP.

MOUNTING DETAIL



NOTE:

1. TERMINAL:

MAT'L - .062 [1.57] TH'K BRASS, MATTE TIN PLATE

SCREW : ONE (1) 10-32 x 1/4 L., SUPPLIED LOOSE.

MAT'L - STAINLESS STEEL

FINISH - NONE

7.15.09	CHANGE AS PER ECN 09-104	B
1.11.08	CHANGE AS PER ECN 08-045	A
DATE	DESCRIPTION	REV.

KEYSTONE ELECTRONICS CORP.			
www.keyelco.com • ASTORIA, N.Y. 11105-2017 • Tel (718) 956-8900			
PART NAME		SCREW TERMINAL	
MATERIAL		AS NOTED	
FINISH		AS NOTED	
TOLERANCES		INCH [MM]	CODE
DECIMAL		± .010 [± 0.25]	C
ANGULAR		± 1°	
UNLESS OTHERWISE SPECIFIED			
DRN BY	BOONE	DATE	7.1.99
APP'D	LN	SCALE	3X
DWG NO.		1299	