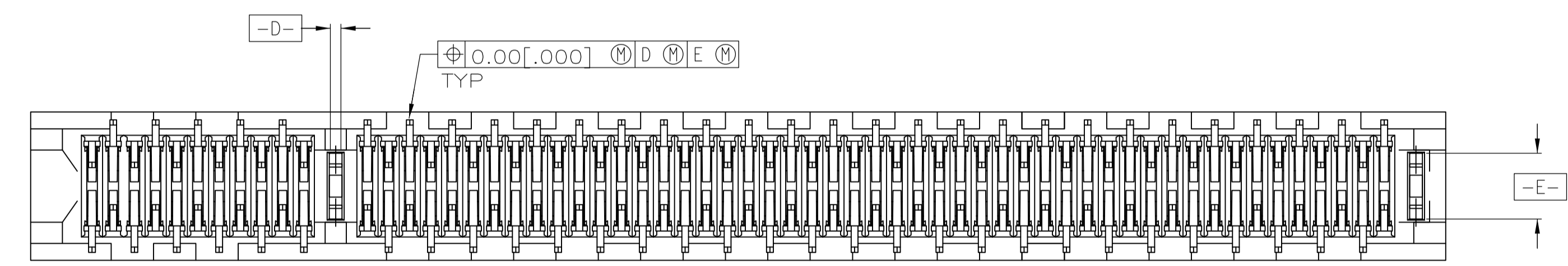
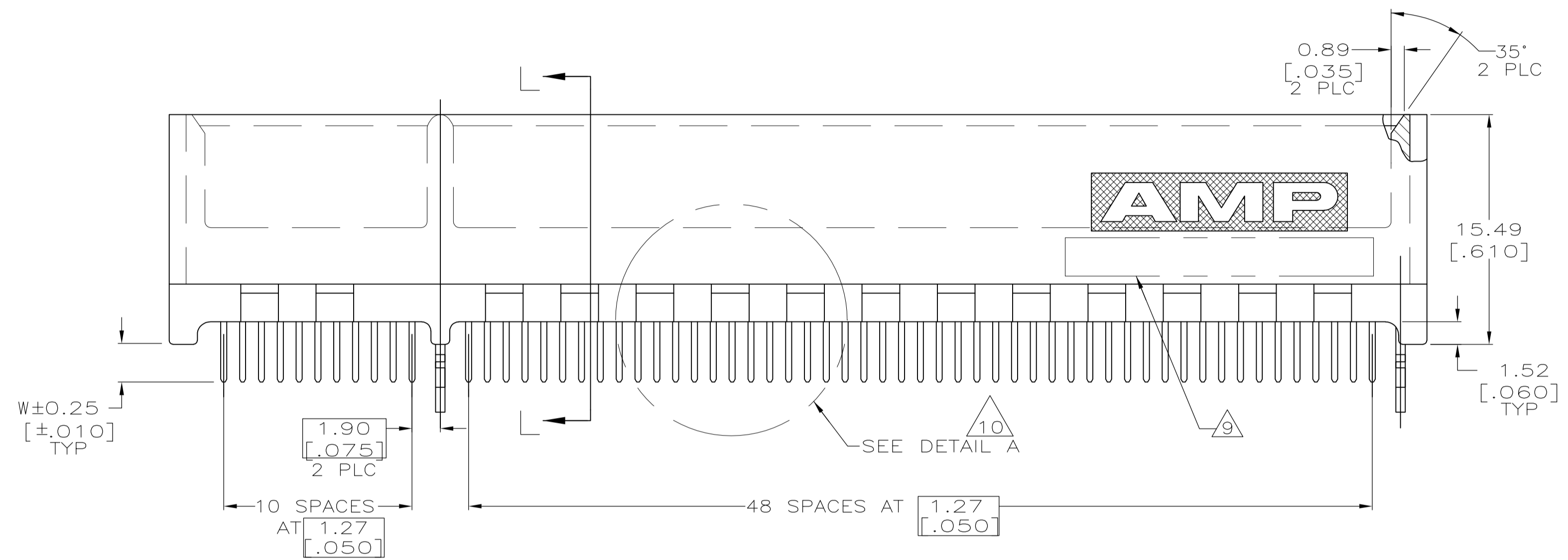
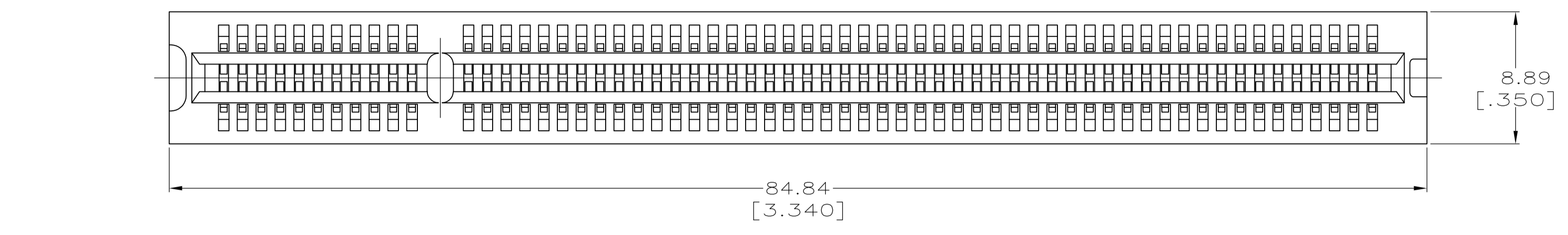
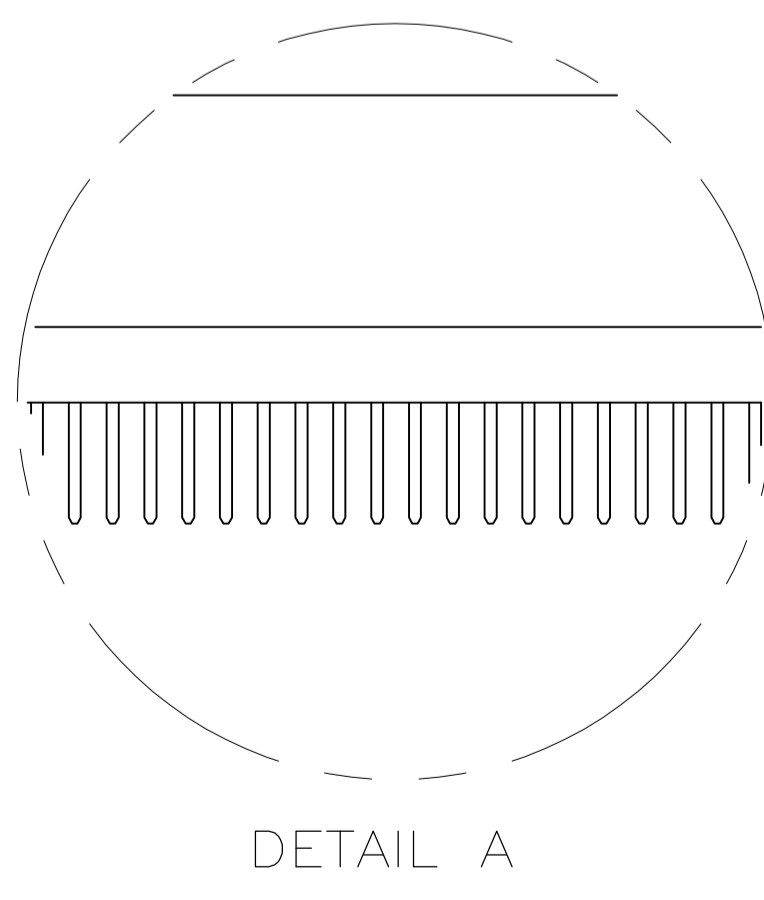


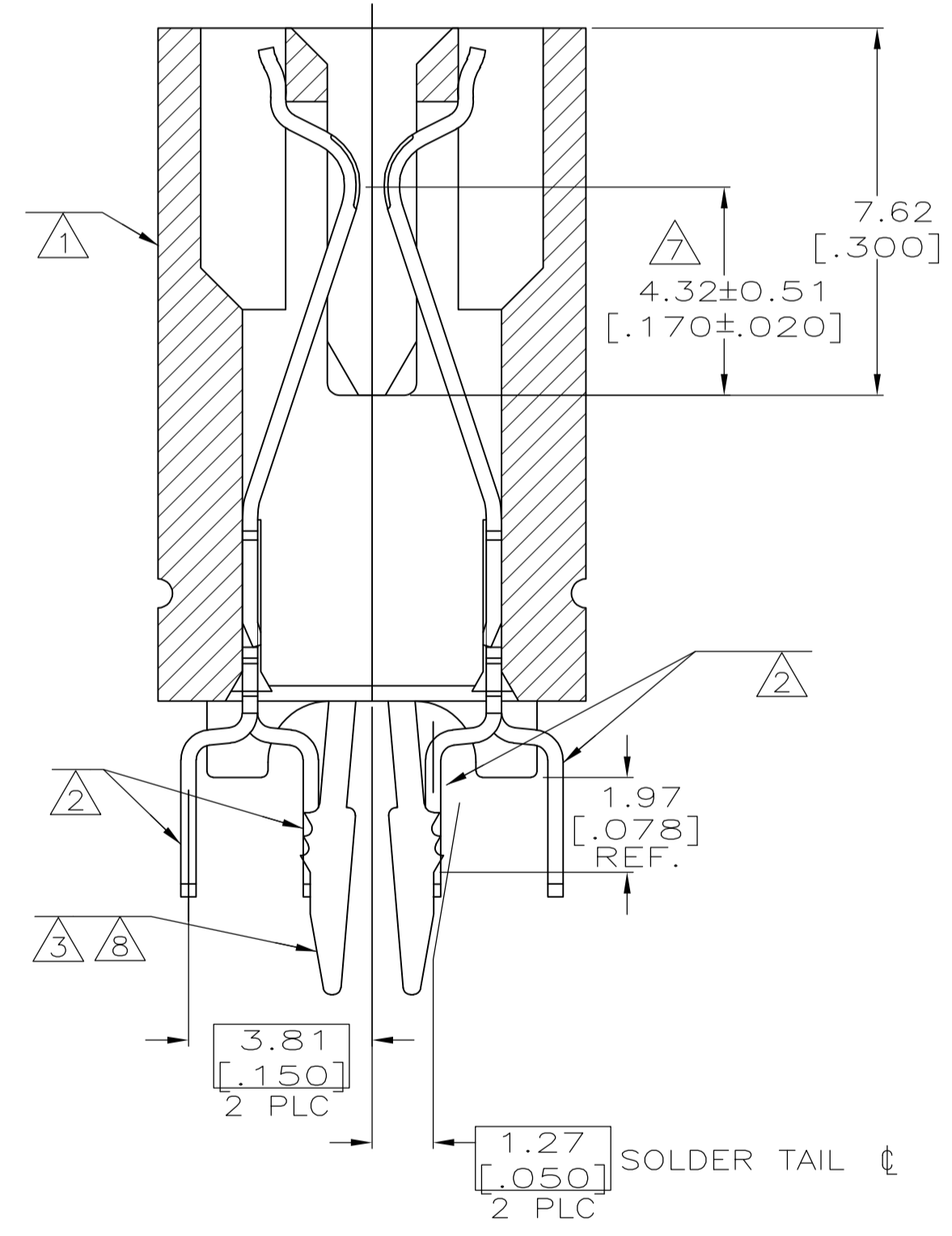
LOC		DIST		REVISIONS			
P	LTR	DESCRIPTION	DATE	DWN	APVD		
H		ECO-06-010778	12AUG06	LAM	AWF		
H1		REVISED PER ECO-09-021826	11SEP09	KK	AEG		



SEE SHEET 2 FOR HOLE PATTERN



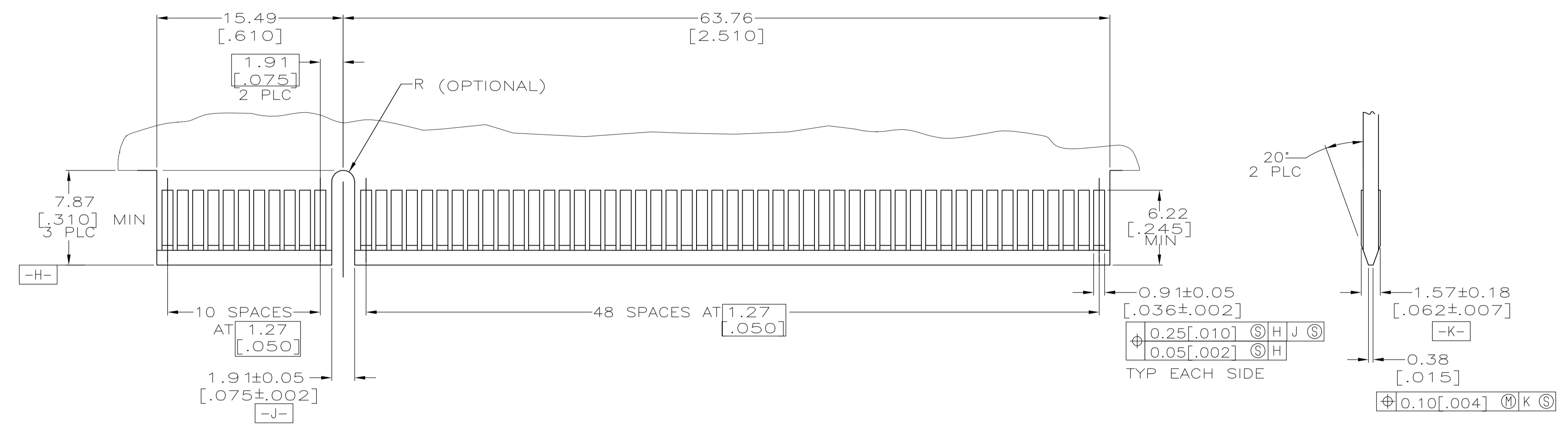
- ① HOUSING: HIGH TEMPERATURE THERMOPLASTIC. COLOR - NATURAL
- ② CONTACT: PHOSPHOR BRONZE.
- ③ METAL HOLD DOWN: BRASS
- ④ CONTACT FINISH: .001269[.000050] MIN NICKEL ALL OVER. GOLD FLASH OVER NICKEL IN CONTACT AREA. .002537[.000100] MIN TIN-LEAD OVER NICKEL ON SOLDER TAILS.
- ⑤ CONTACT FINISH: .001269[.000050] MIN NICKEL ALL OVER. .000375[.000015] GOLD OVER NICKEL IN CONTACT AREA. .002537[.000100] MIN TIN-LEAD OVER NICKEL ON SOLDER TAILS.
- ⑥ CONTACT FINISH: .001269[.000050] MIN NICKEL ALL OVER. .000757[.000030] GOLD OVER NICKEL IN CONTACT AREA. .002537[.000100] MIN TIN-LEAD OVER NICKEL ON SOLDER TAILS.
- ⑦ DISTANCE FROM CONTACT POINT TO BOTTOM OF CARD SLOT.
- ⑧ METAL HOLD DOWN FINISH: .001269[.000050] MIN NICKEL ALL OVER. .003809[.000150] MIN TIN-LEAD ALL OVER.
- ⑨ AMP PART NUMBER, DATE CODE AND CSA LOGO MARKED IN APPROXIMATE LOCATION SHOWN.
- ⑩ CORED OR SOLID SIDE WALLS ARE AT DISCRETION OF AMP INCORPORATED.
- ⑪ OBSOLETE PARTS: OBSOLETE CIS STREAMLINING PER D.RENAUD/D.SINISI



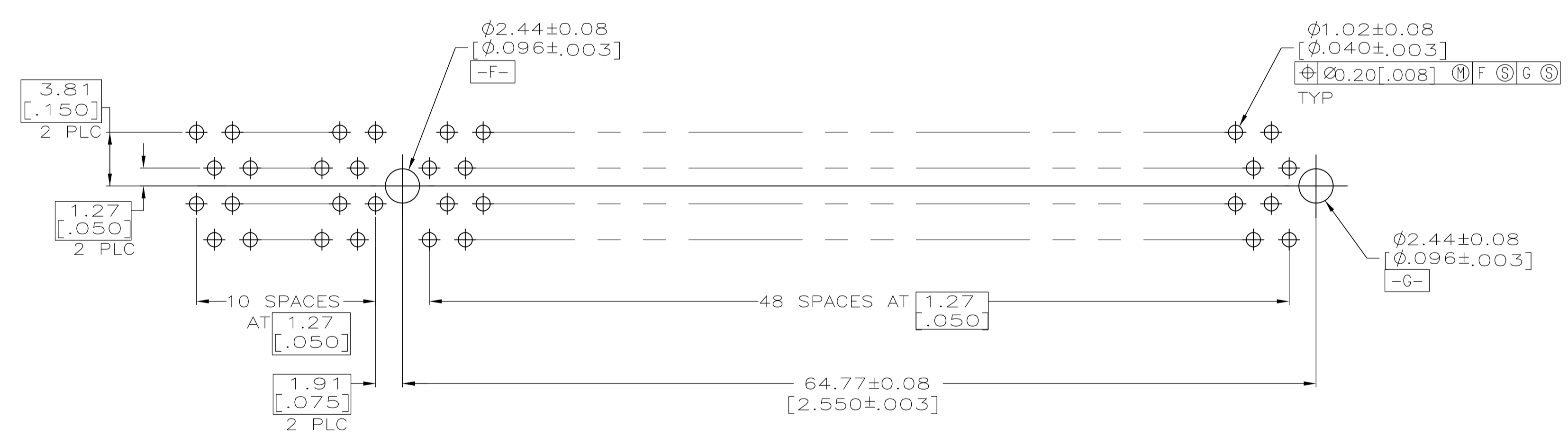
SECTION L-L
SCALE 8:1

OBSOLETE	4.70 [.185]	①	1-145167-3
	3.56 [.140]	①	1-145167-2
SUPERSEDED BY 5145167-8	3.18 [.125]	①	-145167-8
	2.54 [.100]	①	145167-4
OBSOLETE	2.54 [.100]	①	145167-3
① OBSOLETE	2.54 [.100]	①	145167-2
	2.54 [.100]	①	145167-1
	W	FINISH	PART NUMBER

THIS DRAWING IS A CONTROLLED DOCUMENT.		DIN R BROWN 6/9/95		Tyco Electronics Corporation Harrisburg, Pa 17105-3608	
DIMENSIONS: mm		CHK M BOWERS 6/9/95		NAME	
TOLERANCES UNLESS OTHERWISE SPECIFIED:		APVD		PRODUCT SPEC	
0 PLC ± -	1 PLC ± -	108-14034		CONNECTOR ASSEMBLY, 60 DUAL POSITION, 1.27 [.050] SERIES, STANDARD EDGE	
2 PLC ± 0.25 [.01]	3 PLC ± 0.127 [.005]	APPLICATION SPEC		SIZE	
4 PLC ± -	ANGLES ± -	114-26012		CASE CODE	
MATERIAL		WEIGHT		DRAWING NO	
FINISH		A1 00779		RESTRICTED TO	
①②③		④⑤⑥		CUSTOMER DRAWING	
		SCALE 4:1		SHEET 1 OF 2	
				REV H1	



RECOMMENDED MATING BOARD EDGE CONFIGURATION



RECOMMENDED CONNECTOR MOUNTING HOLE PATTERN
(CONNECTOR SIDE SHOWN)

THIS DRAWING IS A CONTROLLED DOCUMENT.		DIN R BROWN 6/9/95		Tyco Electronics Corporation Harrisburg, Pa 17105-3608
		CHK M BOWERS 6/9/95		APVD
DIMENSIONS: mm	TOLERANCES UNLESS OTHERWISE SPECIFIED:	NAME: CONNECTOR ASSEMBLY, 60 DUAL POSITION, 1.27 [0.05] SERIES, STANDARD EDGE		
	0 PLC ± -	PRODUCT SPEC	108-14034	
	1 PLC ± -	APPLICATION SPEC	114-26012	
MATERIAL: SEE SHEET 1	FINISH: SEE SHEET 1	WEIGHT: -	SIZE: A1	00779 C=145167
		CUSTOMER DRAWING	SCALE: 4:1	SHEET 2 OF 2 REV H1