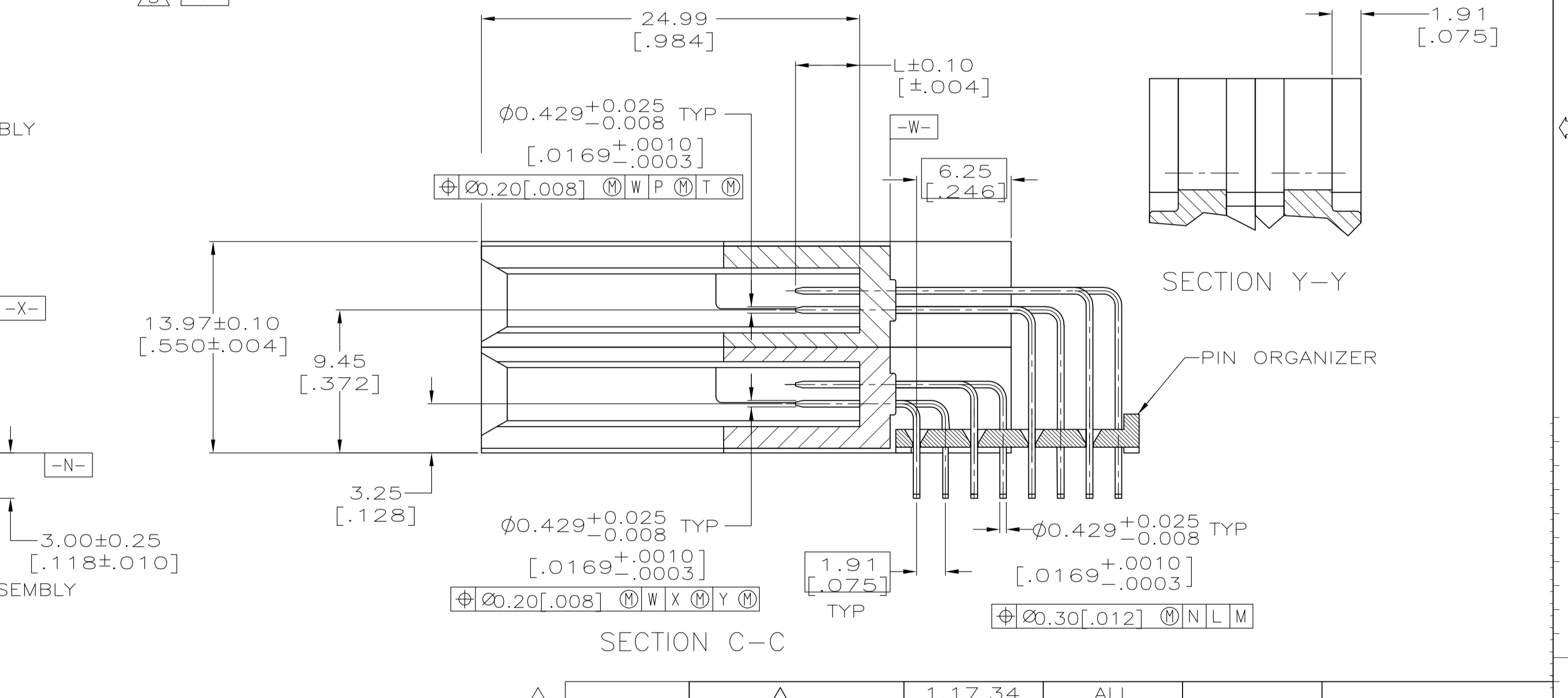
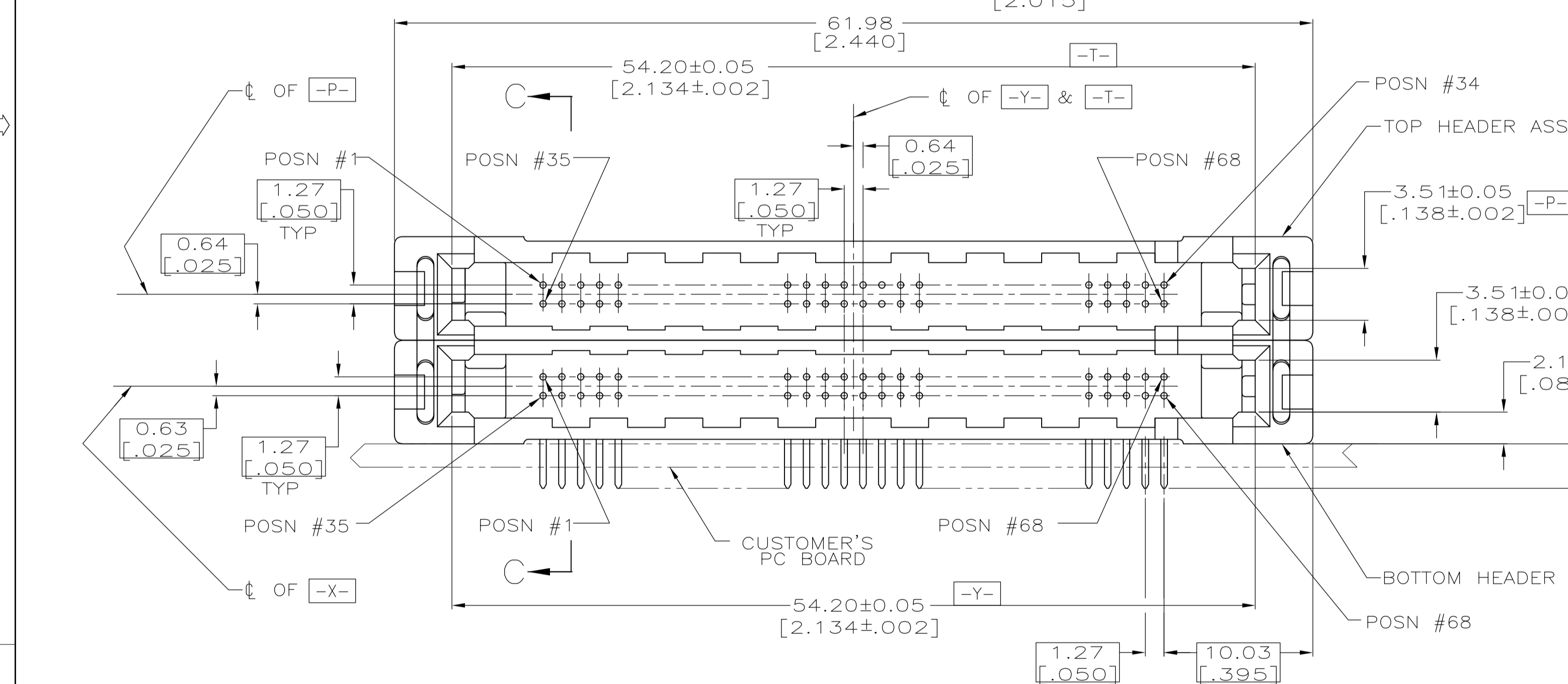
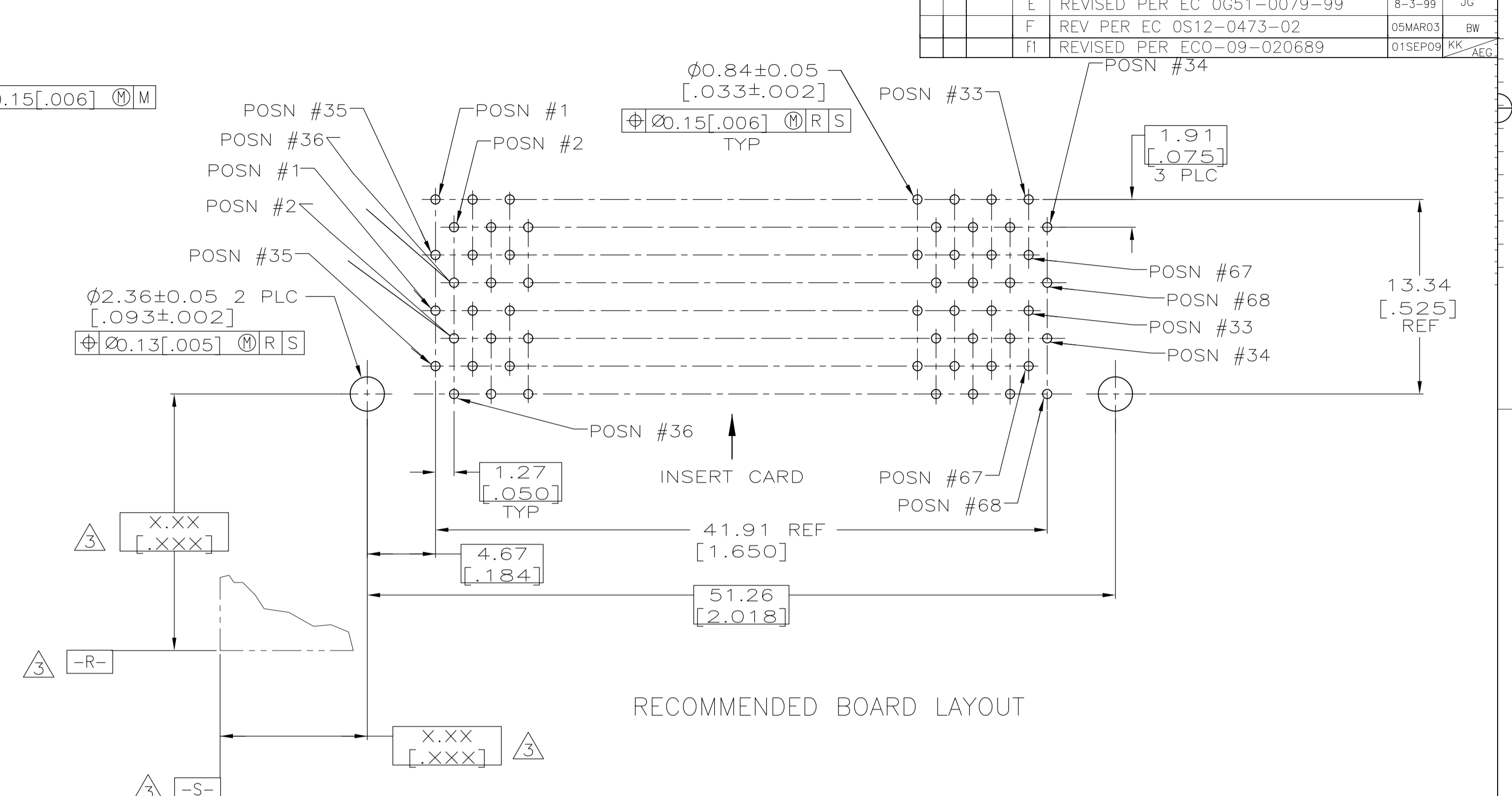
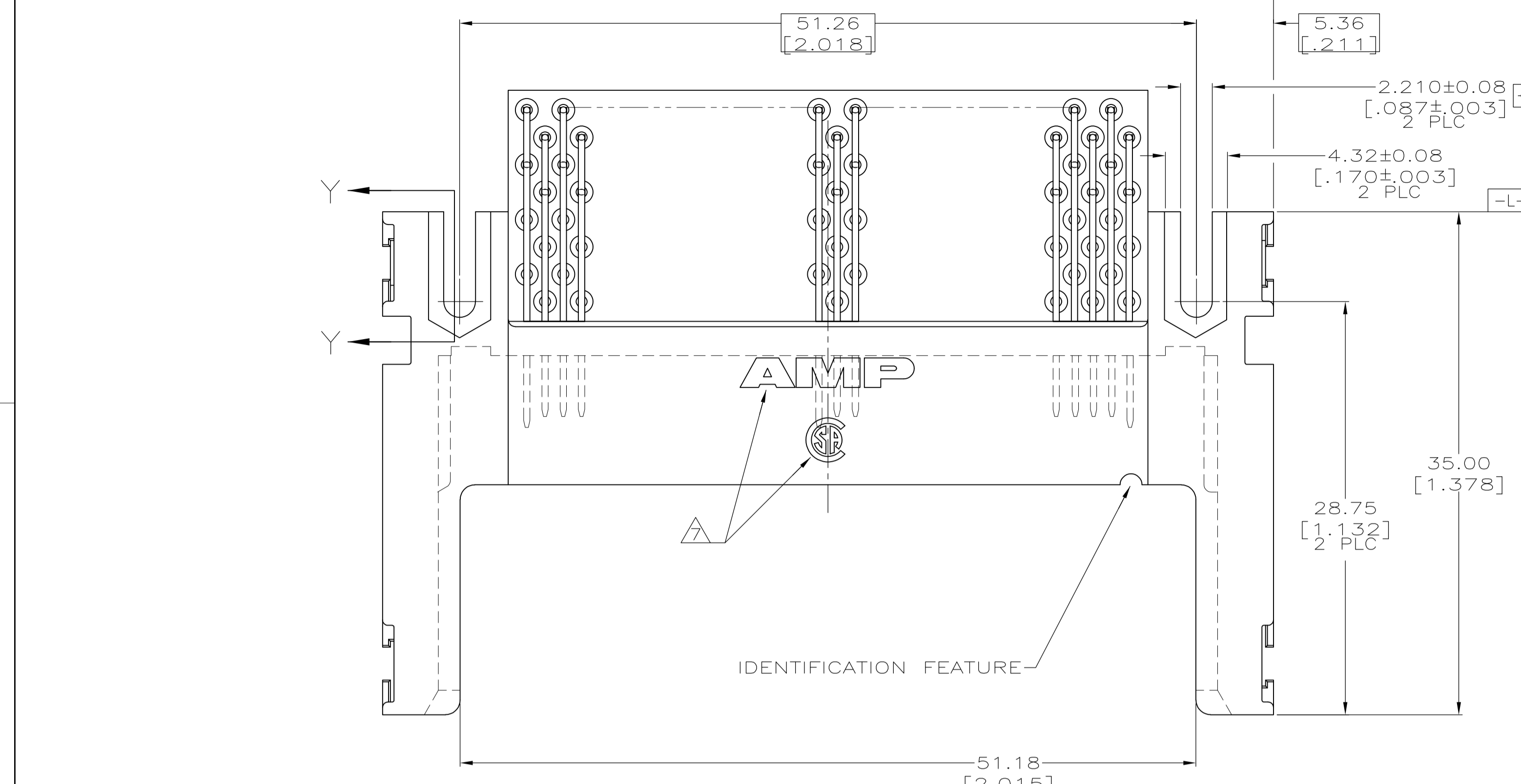


LOC		DIST		REV		ZONE		LTR		REVISIONS		
AD	00	P	F							DESCRIPTION	DATE	APPD
		E								REVISED PER EC 0G51-0079-99	8-3-99	JG
		F								REV PER EC 0S12-0473-02	05MAR03	BW
		f1								REVISED PER ECO-09-020689	01SEP09	KK AEG



- ① 0.00076[.000030] MINIMUM GOLD IN CONTACT AREA, 0.00381[.000150] MIN TIN-LEAD ON SOLDER TAILS, ALL OVER 0.00127[.000050] MINIMUM NICKEL
- ② CUSTOMER TO PROVIDE CARD GUIDANCE SYSTEM
- ③ DATUMS AND BASIC DIMENSIONS ESTABLISHED BY CUSTOMER
- ④ CONNECTOR REQUIRES USE OF 2 - SIZE 2M SCREWS FOR FASTENING TO PRINTED CIRCUIT BOARD
- ⑤ ASSEMBLY KEYED FOR 5 VOLT CARDS
- ⑥ ASSEMBLY KEYED FOR LOW VOLT CARDS (3.3V)
- ⑦ RECESSED AMP AND CSA LOGOS LOCATED ON BOTH SIDES OF HOUSINGS.
- ⑧ OBSOLETE PARTS: OBSOLETE CIS STREAMLINING PER D.RENAUD/D.SINISI

⑧ OBSOLETE	⑤	1,17,34	ALL OTHER PINS	36,67	146027-2
		35,51,68	ALL OTHER PINS	36,67	146027-1
VOLTAGE KEYING	⑤	5.0	4.25	3.5	
		[.197]	[.167]	[.138]	
"L" (PIN LENGTH) AND LOCATION					PART NO

DO NOT SCALE PRINT. UNLESS SPECIFIED DIMENSIONS IN mm [INCHES] TOLERANCES: ON: 2 PLC DEC ± 0.13 [.005] 3 PLC DEC ± - ANGLES ± -	DR 7/1/93 J MOSER CHK 7/1/93 B ELICKER APPD 7/1/93 B ELICKER	AMP AMP Incorporated Harrisburg, PA 17105-3608	
MATERIAL HOUSING & ORGANIZER: LCP, COLOR: BLACK PIN: BRASS & PHOSPHOR BRONZE	APPD 7/1/93 B ELICKER PRODUCT SPEC -	NAME STACKED PIN HEADER ASSEMBLY, 136 POSN, TOP BOARD MOUNTING, THRU-HOLE, AMP MEMORY CARD	
FINISH PIN: ①	APPLICATION SPEC -	SIZE D	CAGE CODE 00779
	WEIGHT 16.1 GRAMS	DRAWING NO C-146027	SHEET 1 OF 1

THIS DRAWING IS A CONTROLLED DOCUMENT FOR AMP INCORPORATED. IT IS SUBJECT TO CHANGE AND THE CONTROLLING ENGINEERING ORGANIZATION SHOULD BE CONTACTED FOR THE LATEST REVISION.