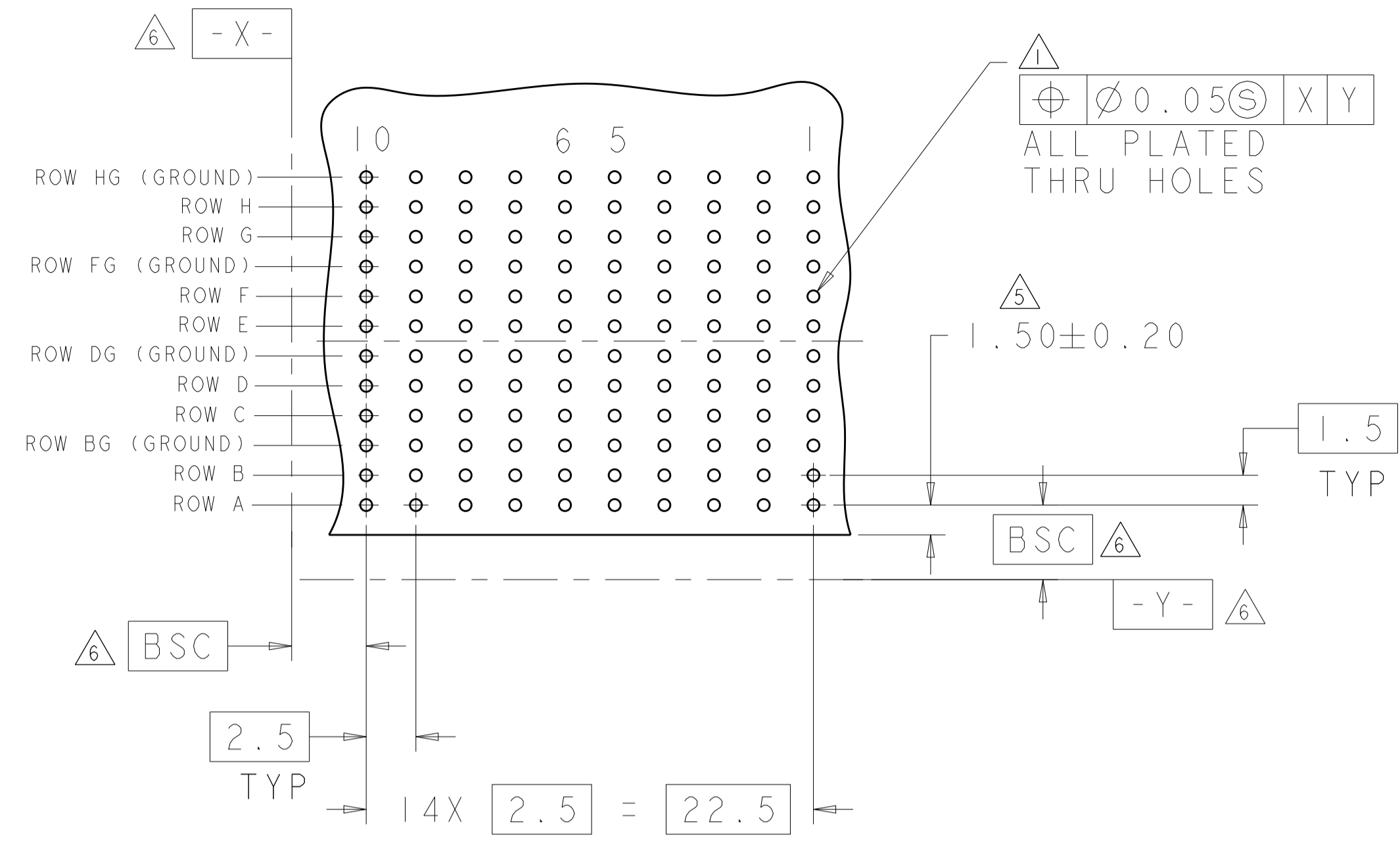
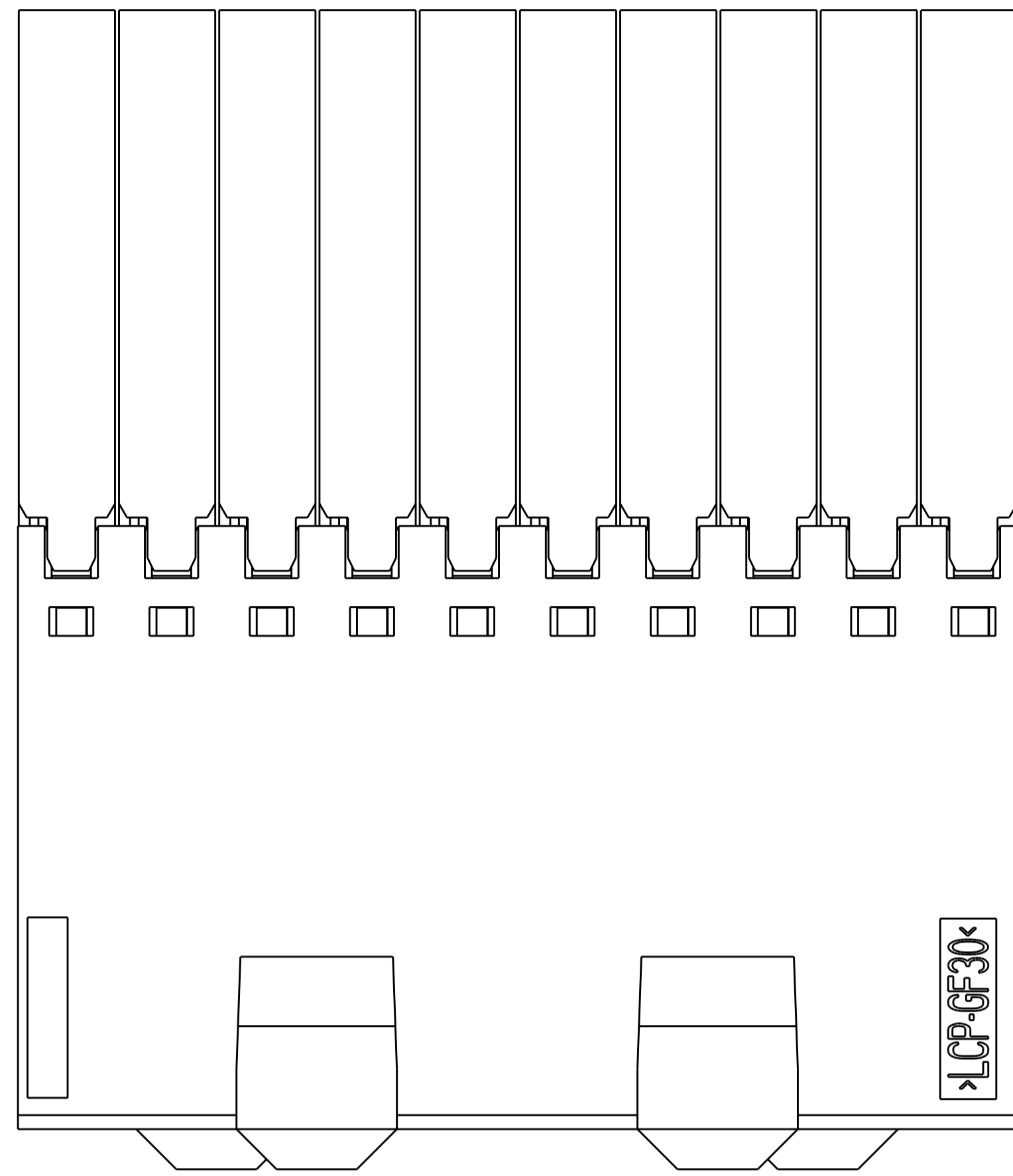
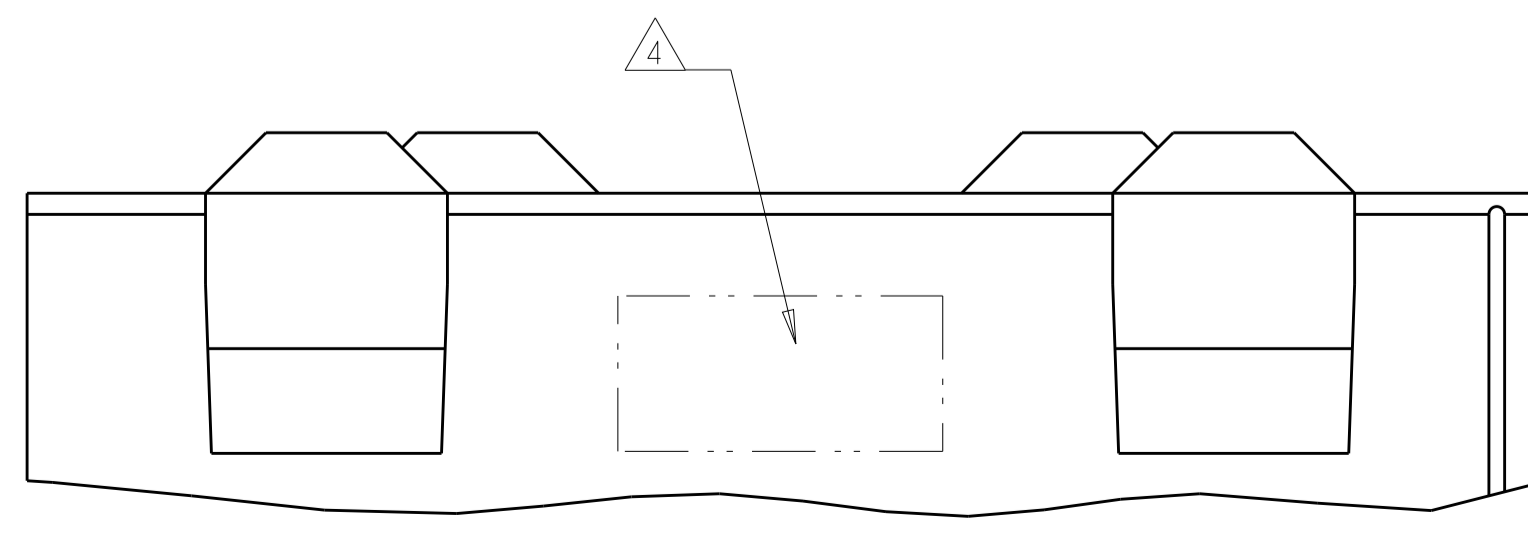
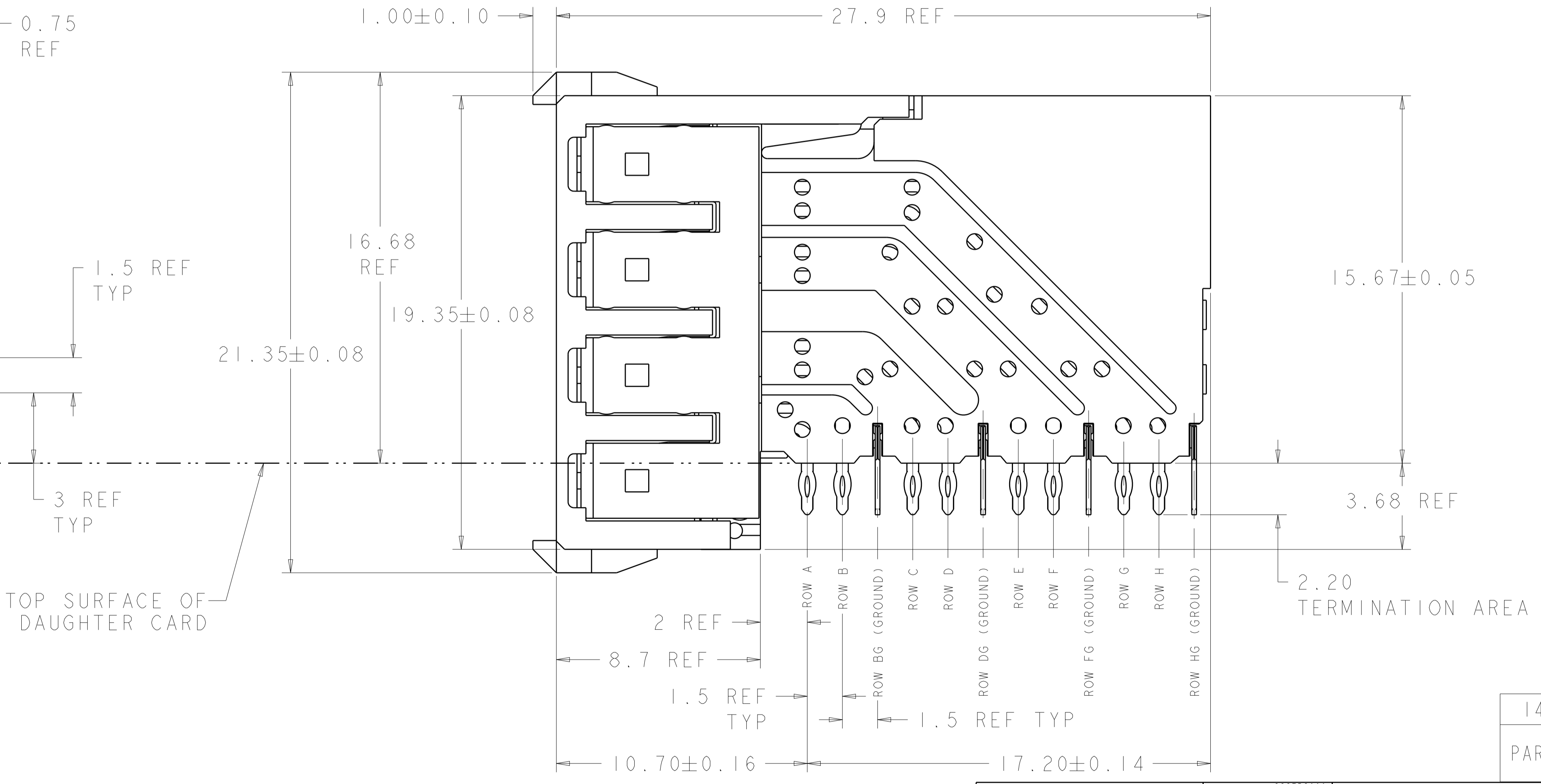
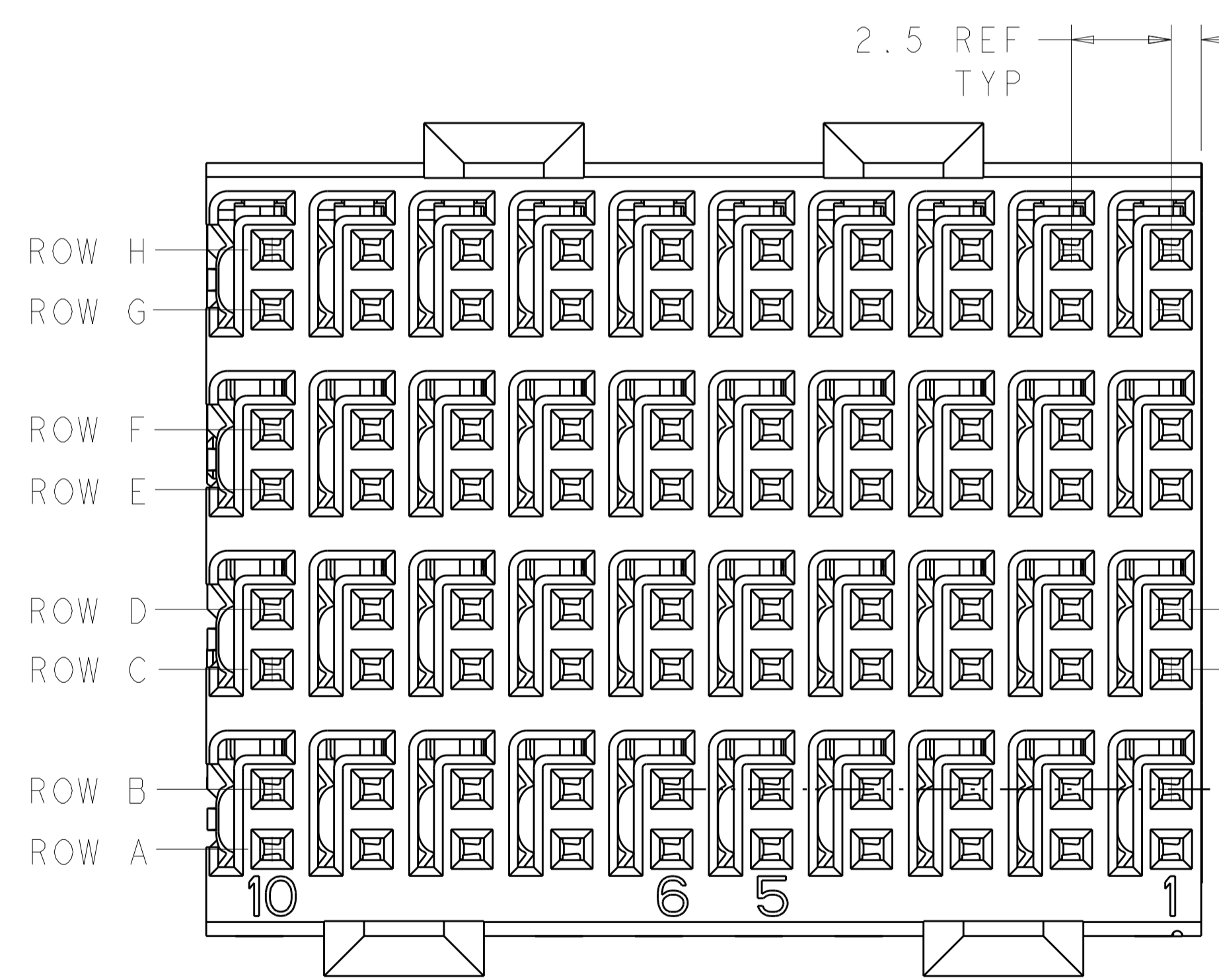


REVISIONS				
P.	LTN.	DESCRIPTION	DATE	APP'D.
G		REVISED PER ECO-14-005095	11APR2014	AP RP



- 1 REFERENCE APPLICATION SPEC 114-13059 FOR RECOMMENDED PLATED THRU HOLE DIAMETER AND PLATING THICKNESSES.
- 2 MATERIAL:
SHIELD - PHOSPHOR BRONZE
CONTACT - COPPER-NICKEL-SILICON
HOUSING, CHICKLET AND CHICKLET COVER - GLASS FILLED POLYESTER, UL 94V-0 RATED.
- 3 FINISH: SIGNAL AND GROUND CONTACTS:
MATING AREA: MEETS THE PERFORMANCE REQUIREMENTS OF PRODUCT SPECIFICATION 108-2055; BASED ON TELCORDIA GR-1217-CORE, APPLICATIONS IN UNCONTROLLED ENVIRONMENTS
COMPLIANT PIN AREA: 0.5µm MIN BRIGHT TIN-LEAD OVER BASE PLATING
- 4 CONNECTOR MARKED WITH PART NUMBER AND DATE CODE IN APPROXIMATE AREA SHOWN
- 5 DIMENSION APPLIES TO CENTERLINE OF THRU HOLE.
- 6 DATUMS AND BASIC DIMENSIONS ESTABLISHED BY CUSTOMER.
- 7. CONTACT AREA LUBRICATED WITH BELLCORE APPROVED LUBRICANT. TECHNICAL REFERENCE: GR-1217-CORE, ISSUE 1, NOVEMBER 1995.

RECOMMENDED PC BOARD LAYOUT,
 DAUGHTER BOARD,
 COMPONENT SIDE SHOWN
 SCALE 4:1



1469001-1
 PART NUMBER

THIS DRAWING IS A CONTROLLED DOCUMENT.		OWN S. KLING/LAM 28SEP2000		TE Connectivity	
DIMENSIONS:		CHK S. KLING 28SEP2000		NAME RECEPTACLE ASSEMBLY, 4 PAIR, HMZd	
mm		APVD S. KLING 28SEP2000		PRODUCT SPEC	
TOLERANCES UNLESS OTHERWISE SPECIFIED:		APPLICATION SPEC		SIZE CAGE CODE DRAWING NO RESTRICTED TO	
0 PLC #		-		A100779C=1469001	
1 PLC #		-		SCALE 8:1 SHEET 1 OF 1 REV G	
2 PLC #		-			
3 PLC #		-			
4 PLC #		-			
ANGLES		-			
MATERIAL		FINISH		CUSTOMER DRAWING	
2		3			