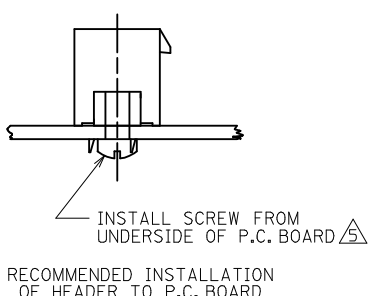
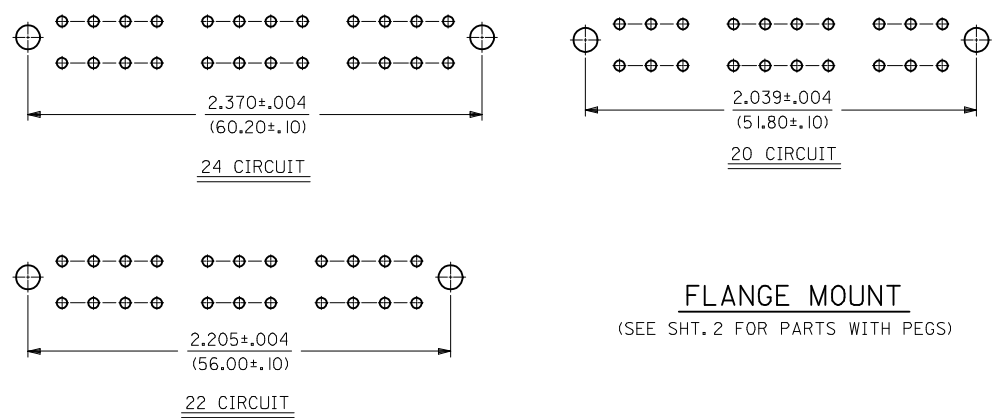
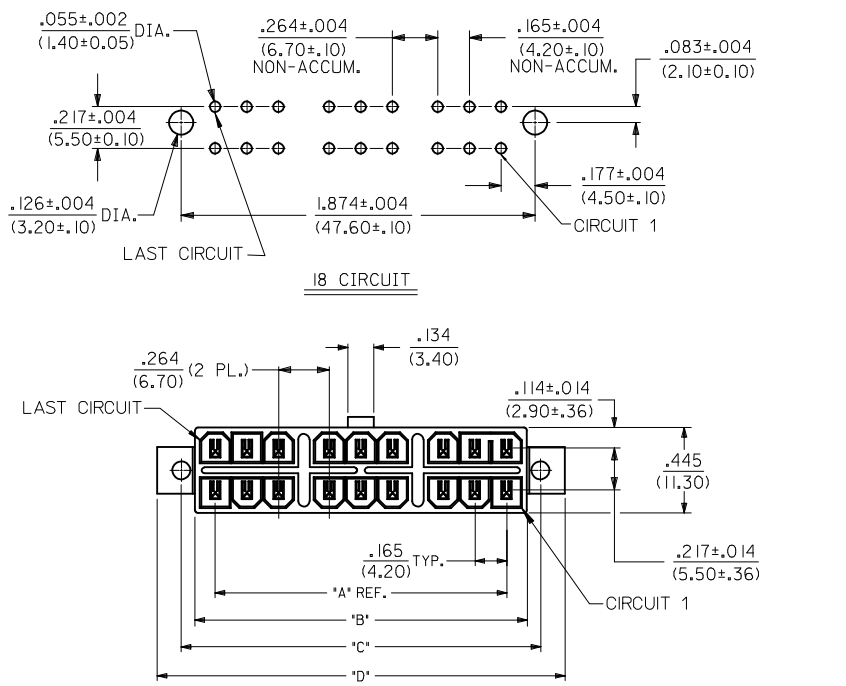


- NOTES:**
- HOUSING MAT'L.: POLYESTER, UNFILLED, 94V-0. COLOR: BLACK. TERMINAL MATERIAL: BRASS ALLOY 260.
 - PLATINGS:
 - $.000035 / (.00090)$ MIN. BRIGHT TIN OVER $.000020 / (.00050)$ MIN. COPPER.
 - $.000030 / (.00076)$ MIN. SELECT GOLD AND $.000100 / (.00254)$ MIN. SELECT MATTE TIN OVER $.000050 / (.00127)$ MIN. NICKEL OVERALL.
 - PRODUCT SPECIFICATION AND PROCESSING PARAMETERS: SEE PS-5556-003
 - PACKAGING SPECIFICATION: PK-30069-001.
 - PART IS DESIGNED FOR USE WITH #4 OR M3 SELF TAPPING SCREWS.
 - PART MATES WITH RECEPTACLE 30067-*
 - THIS PART CONFORMS TO CLASS 'B' REQUIREMENTS OF COSMETIC SPECIFICATION PS-45499-002.



PCB LAYOUT FOR 2-16 CIRCUIT PARTS WITH FLANGES

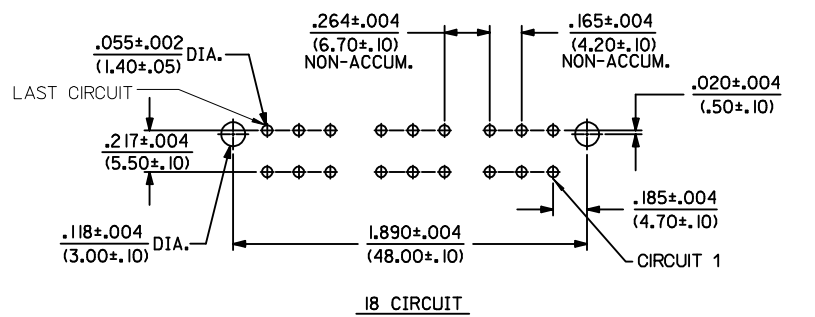
LAYOUT FOR 18-24 CIRCUIT PARTS WITH FLANGES



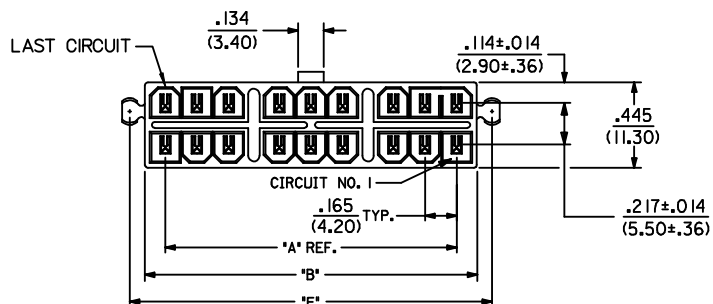
FLANGE MOUNT
(SEE SH. 2 FOR PARTS WITH PEGS)

UPDATE NOTE 5 EC NO: UCP2014-0298 DRAWN: NGUYEN 2013/08/05 CHKD: JEBELL 2013/08/05 APPR: FSMITH 2013/08/16	QUALITY SYMBOLS $\nabla = 0$ $\nabla = 0$ $\nabla = 0$	GENERAL TOLERANCES (UNLESS SPECIFIED)		DIMENSION STYLE		SCALE	DESIGN UNITS	THIRD ANGLE PROJECTION			
				IN/MM		2:1	METRIC				
				mm	INCH	DRAWN BY	DATE	TITLE			
						RJF	9/19/91	MINI-FIT T.P.A. VERTICAL HEADER ASSEMBLY			
H3	DESCRIPTION REV	DRAFT WHERE APPLICABLE MUST REMAIN WITHIN DIMENSIONS		APPROVED BY		DATE	DOCUMENT NO.				
				FSMITH		2012/03/08	SDA-30069-****				
				ANGULAR $\pm 1/2^\circ$		MATERIAL NO.		SHEET NO.			
						SEE CHARTS		1 OF 3			
THIS DRAWING CONTAINS INFORMATION THAT IS PROPRIETARY TO MOLEX INCORPORATED AND SHOULD NOT BE USED WITHOUT WRITTEN PERMISSION											

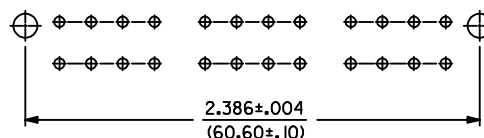
LAYOUT FOR 18-24 CIRCUIT PARTS WITH PEGS



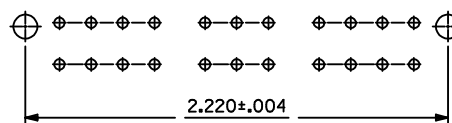
18 CIRCUIT



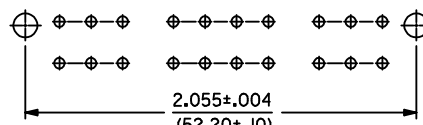
22 CIRCUIT



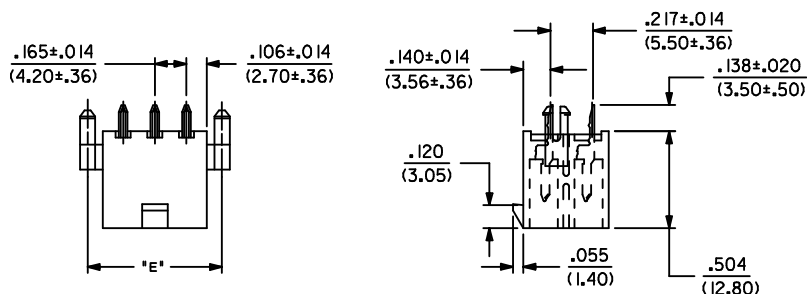
24 CIRCUIT



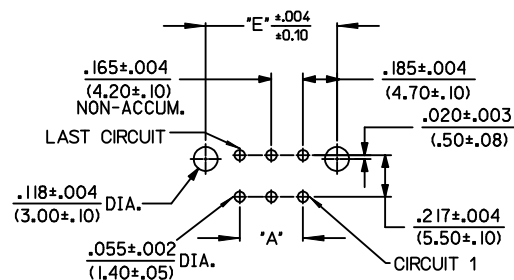
22 CIRCUIT



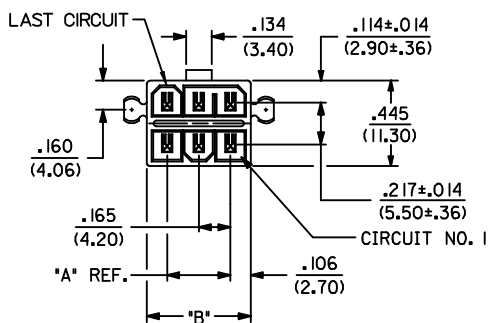
20 CIRCUIT



WITH PEGS



RECOMMENDED HOLE LAYOUT FOR .070/(1.78) MAX. THICK P.C. BOARD
PCB LAYOUT FOR 2-16 CIRCUIT PARTS



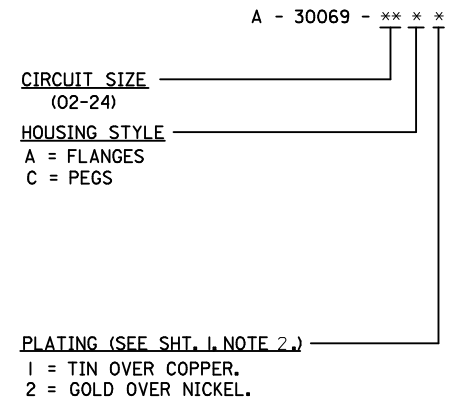
WITH PEGS

SEE SHEET 1 EC NO: UCP2014-0298 DRAWN: NGUYEN 2013/08/05 CHKD: J.BELL 2013/08/05 APPR: F.SMITH 2013/08/16	QUALITY SYMBOLS ▽=0 ▽=0 ▽=0	GENERAL TOLERANCES (UNLESS SPECIFIED)		DIMENSION STYLE IN/MM		SCALE 2:1	DESIGN UNITS METRIC	THIRD ANGLE PROJECTION	
		DRAWN BY R.J.F.		DATE 9/19/91		TITLE MINI-FIT T.P.A. VERTICAL HEADER ASSEMBLY		DOCUMENT NO. SDA-30069-****	
H3	DESCRIPTION	4 PLACES ± --- ± ---		CHECKED BY GEP		DATE 9/19/91		SHEET NO. 2 OF 3	
		3 PLACES ± --- ± .010		APPROVED BY F.S.M.I.T.H.		DATE 2012/03/08		THIS DRAWING CONTAINS INFORMATION THAT IS PROPRIETARY TO MOLEX INCORPORATED AND SHOULD NOT BE USED WITHOUT WRITTEN PERMISSION	
ANGULAR ±1/2°		MATERIAL NO.		SIZE C					

TIN-PLATED ASSEMBLIES WITH PEGS							GOLD-PLATED ASSEMBLIES WITH PEGS					
CKT. SIZE	ENG. NO.	EDP. NO.	DIM. "A"	DIM. "B"	DIM. "E"	DIM. "D"	ENG. NO.	EDP. NO.	DIM. "A"	DIM. "B"	DIM. "E"	DIM. "D"
2	A-30069-02C1	15-97-7023	—	.213 (5.40)	.370 (9.40)	—	A-30069-02C2	15-97-7025	—	.213 (5.40)	.370 (9.40)	—
4	A-30069-04C1	15-97-7043	.165 (4.20)	.378 (9.60)	.535 (13.60)	—	A-30069-04C2	15-97-7045	.165 (4.20)	.378 (9.60)	.535 (13.60)	—
6	A-30069-06C1	15-97-7063	.331 (8.40)	.543 (13.80)	.701 (17.80)	—	A-30069-06C2	15-97-7065	.331 (8.40)	.543 (13.80)	.701 (17.80)	—
8	A-30069-08C1	15-97-7083	.496 (12.60)	.709 (18.00)	.866 (22.00)	—	A-30069-08C2	15-97-7085	.496 (12.60)	.709 (18.00)	.866 (22.00)	—
10	A-30069-10C1	15-97-7103	.661 (16.80)	.874 (22.20)	1.031 (26.20)	—	A-30069-10C2	15-97-7105	.661 (16.80)	.874 (22.20)	1.031 (26.20)	—
12	A-30069-12C1	15-97-7123	.827 (21.00)	1.039 (26.40)	1.197 (30.40)	—	A-30069-12C2	15-97-7125	.827 (21.00)	1.039 (26.40)	1.197 (30.40)	—
14	A-30069-14C1	NOT TOOLED	.992 (25.20)	1.205 (30.60)	1.362 (34.60)	—	A-30069-14C2	NOT TOOLED	.992 (25.20)	1.205 (30.60)	1.362 (34.60)	—
16	A-30069-16C1	NOT TOOLED	1.157 (29.40)	1.370 (34.80)	1.528 (38.80)	—	A-30069-16C2	15-97-7165	1.157 (29.40)	1.370 (34.80)	1.528 (38.80)	—
18	A-30069-18C1	NOT TOOLED	1.520 (38.60)	1.732 (44.00)	1.890 (48.00)	—	A-30069-18C2	NOT TOOLED	1.520 (38.60)	1.732 (44.00)	1.890 (48.00)	—
20	A-30069-20C1	NOT TOOLED	1.685 (42.80)	1.898 (48.20)	2.055 (52.20)	—	A-30069-20C2	NOT TOOLED	1.685 (42.80)	1.898 (48.20)	2.055 (52.20)	—
22	A-30069-22C1	NOT TOOLED	1.850 (47.00)	2.063 (52.40)	2.220 (56.40)	—	A-30069-22C2	NOT TOOLED	1.850 (47.00)	2.063 (52.40)	2.220 (56.40)	—
24	A-30069-24C1	NOT TOOLED	2.016 (51.20)	2.228 (56.60)	2.386 (60.60)	—	A-30069-24C2	NOT TOOLED	2.016 (51.20)	2.228 (56.60)	2.386 (60.60)	—

TIN-PLATED ASSEMBLIES WITH FLANGES							GOLD-PLATED ASSEMBLIES WITH FLANGES					
CKT. SIZE	ENG. NO.	EDP. NO.	DIM. "A"	DIM. "B"	DIM. "C"	DIM. "D"	ENG. NO.	EDP. NO.	DIM. "A"	DIM. "B"	DIM. "C"	DIM. "D"
2	A-30069-02A1	15-97-7022	—	.213 (5.40)	.354 (9.00)	.606 (15.40)	A-30069-02A2	15-97-7024	—	.213 (5.40)	.354 (9.00)	.606 (15.40)
4	A-30069-04A1	15-97-7042	.165 (4.20)	.378 (9.60)	.520 (13.20)	.772 (19.60)	A-30069-04A2	15-97-7044	.165 (4.20)	.378 (9.60)	.520 (13.20)	.772 (19.60)
6	A-30069-06A1	15-97-7062	.331 (8.40)	.543 (13.80)	.685 (17.40)	.937 (23.80)	A-30069-06A2	15-97-7064	.331 (8.40)	.543 (13.80)	.685 (17.40)	.937 (23.80)
8	A-30069-08A1	15-97-7082	.496 (12.60)	.709 (18.00)	.850 (21.60)	1.102 (28.00)	A-30069-08A2	15-97-7084	.496 (12.60)	.709 (18.00)	.850 (21.60)	1.102 (28.00)
10	A-30069-10A1	15-97-7102	.661 (16.80)	.874 (22.20)	1.016 (25.80)	1.268 (32.20)	A-30069-10A2	15-97-7104	.661 (16.80)	.874 (22.20)	1.016 (25.80)	1.268 (32.20)
12	A-30069-12A1	15-97-7122	.827 (21.00)	1.039 (26.40)	1.181 (30.00)	1.433 (36.40)	A-30069-12A2	15-97-7124	.827 (21.00)	1.039 (26.40)	1.181 (30.00)	1.433 (36.40)
14	A-30069-14A1	NOT TOOLED	.992 (25.20)	1.205 (30.60)	1.346 (34.20)	1.598 (40.60)	A-30069-14A2	NOT TOOLED	.992 (25.20)	1.205 (30.60)	1.346 (34.20)	1.598 (40.60)
16	A-30069-16A1	15-97-7162	1.157 (29.40)	1.370 (34.80)	1.512 (38.40)	1.764 (44.80)	A-30069-16A2	15-97-7164	1.157 (29.40)	1.370 (34.80)	1.512 (38.40)	1.764 (44.80)
18	A-30069-18A1	NOT TOOLED	1.520 (38.60)	1.732 (44.00)	1.874 (47.60)	2.126 (54.00)	A-30069-18A2	NOT TOOLED	1.520 (38.60)	1.732 (44.00)	1.874 (47.60)	2.126 (54.00)
20	A-30069-20A1	NOT TOOLED	1.685 (42.80)	1.898 (48.20)	2.039 (51.80)	2.291 (58.20)	A-30069-20A2	NOT TOOLED	1.685 (42.80)	1.898 (48.20)	2.039 (51.80)	2.291 (58.20)
22	A-30069-22A1	NOT TOOLED	1.850 (47.00)	2.063 (52.40)	2.205 (56.00)	2.457 (62.40)	A-30069-22A2	NOT TOOLED	1.850 (47.00)	2.063 (52.40)	2.205 (56.00)	2.457 (62.40)
24	A-30069-24A1	NOT TOOLED	2.016 (51.20)	2.228 (56.60)	2.370 (60.20)	2.622 (66.60)	A-30069-24A2	NOT TOOLED	2.016 (51.20)	2.228 (56.60)	2.370 (60.20)	2.622 (66.60)

LEGEND:



SEE SHEET 1 EC NO: UCP2014-0298 DRAWING: NGUYEN CHKD: J.BELL APPR: FSM/TH	QUALITY SYMBOLS ▽=0 ▽=0 ▽=0	GENERAL TOLERANCES (UNLESS SPECIFIED)	DIMENSION STYLE		SCALE	DESIGN UNITS	THIRD ANGLE PROJECTION
			IN/MM	1:1	METRIC		
H3	REV	DRAWING WHERE APPLICABLE MUST REMAIN WITHIN DIMENSIONS	4 PLACES ± ---	± ---	DRAWN BY	DATE	TITLE
			3 PLACES ± ---	± .010	RJF	9/19/91	
			2 PLACES ± 0.25	± .014	CHECKED BY	DATE	SDA-30069-****
			1 PLACE ± 0.36	± ---	GEP	9/19/91	
			0 PLACE ± ---	± ---	APPROVED BY	DATE	molex
			ANGULAR ±1/2°		FSM/TH	2012/03/08	
			MATERIAL NO.		DOCUMENT NO.		SHEET NO.
			SEE CHART		SDA-30069-****		3 OF 3
THIS DRAWING CONTAINS INFORMATION THAT IS PROPRIETARY TO MOLEX INCORPORATED AND SHOULD NOT BE USED WITHOUT WRITTEN PERMISSION							