

MSTB 2,5/ 8-ST-5,08

Order No.: 1757077

The figure shows a 10-position version of the product

<http://eshop.phoenixcontact.de/phoenix/treeViewClick.do?UID=1757077>Plug component, nominal current: 12 A, rated voltage: 250 V, pitch:
5.08 mm, no. of positions: 8, type of connection: Screw connection

Commercial data

| | |
|--------------------------|--------------------|
| EAN | 4017918029609 |
| Pack | 50 Pcs. |
| Customs tariff | 85366990 |
| Weight/Piece | 0.01376 KG |
| Catalog page information | Page 174 (CC-2007) |

Product notes

WEEE/RoHS-compliant since:
01/01/2003

<http://www.download.phoenixcontact.com>
Please note that the data given here has been taken from the online catalog. For comprehensive information and data, please refer to the user documentation. The General Terms and Conditions of Use apply to Internet downloads.

Technical data

Dimensions / positions

| | |
|------------------------|----------|
| Pitch | 5.08 mm |
| Dimension a | 35.56 mm |
| Number of positions | 8 |
| Screw thread | M 3 |
| Tightening torque, min | 0.5 Nm |

Technical data

| | |
|------------------------------------|---|
| Insulating material group | I |
| Rated surge voltage (III/3) | 4 kV |
| Rated surge voltage (III/2) | 4 kV |
| Rated surge voltage (II/2) | 4 kV |
| Rated voltage (III/2) | 320 V |
| Rated voltage (II/2) | 630 V |
| Connection in acc. with standard | EN-VDE |
| Nominal current I_N | 12 A |
| Nominal voltage U_N | 250 V |
| Nominal cross section | 2.5 mm ² |
| Maximum load current | 12 A (with 2.5 mm ² conductor cross section) |
| Insulating material | PA |
| Inflammability class acc. to UL 94 | V0 |
| Internal cylindrical gage | A3 |
| Stripping length | 7 mm |

Connection data

| | |
|--|----------------------|
| Conductor cross section solid min. | 0.2 mm ² |
| Conductor cross section solid max. | 2.5 mm ² |
| Conductor cross section stranded min. | 0.2 mm ² |
| Conductor cross section stranded max. | 2.5 mm ² |
| Conductor cross section stranded, with ferrule without plastic sleeve min. | 0.25 mm ² |
| Conductor cross section stranded, with ferrule without plastic sleeve max. | 2.5 mm ² |
| Conductor cross section stranded, with ferrule with plastic sleeve min. | 0.25 mm ² |
| Conductor cross section stranded, with ferrule with plastic sleeve max. | 2.5 mm ² |
| Conductor cross section AWG/kcmil min. | 24 |
| Conductor cross section AWG/kcmil max | 12 |
| 2 conductors with same cross section, solid min. | 0.2 mm ² |
| 2 conductors with same cross section, solid max. | 1 mm ² |
| 2 conductors with same cross section, stranded min. | 0.2 mm ² |

| | |
|---|----------------------|
| 2 conductors with same cross section, stranded max. | 1.5 mm ² |
| 2 conductors with same cross section, stranded, ferrules without plastic sleeve, min. | 0.25 mm ² |
| 2 conductors with same cross section, stranded, ferrules without plastic sleeve, max. | 1 mm ² |
| 2 conductors with same cross section, stranded, TWIN ferrules with plastic sleeve, min. | 0.5 mm ² |
| 2 conductors with same cross section, stranded, TWIN ferrules with plastic sleeve, max. | 1.5 mm ² |

Certificates / Approvals



CSA

| | |
|--------------------------------|-------|
| Nominal voltage U _N | 300 V |
| Nominal current I _N | 10 A |
| AWG/kcmil | 28-12 |

CUL

| | |
|--------------------------------|-------|
| Nominal voltage U _N | 300 V |
| Nominal current I _N | 10 A |
| AWG/kcmil | 30-12 |

UL

| | |
|--------------------------------|---------------------------------|
| Nominal voltage U _N | 300 V |
| Nominal current I _N | 10 A |
| AWG/kcmil | 30-12 |
| Certification | CB, CSA, CUL, GOST, UL, VDE-PZI |

Accessories

| Item | Designation | Description |
|----------------|-------------|---|
| Bridges | | |
| 1733172 | EBP 3- 5 | Insertion bridge, fully insulated, for plug connectors with 5.0 or 5.08 mm pitch, no. of positions: 3 |
| 1733185 | EBP 4- 5 | Insertion bridge, fully insulated, for plug connectors with 5.0 or 5.08 mm pitch, no. of positions: 4 |

| | | |
|---------|----------|---|
| 1733198 | EBP 5- 5 | Insertion bridge, fully insulated, for plug connectors with 5.0 or 5.08 mm pitch, no. of positions: 5 |
| 1733208 | EBP 6- 5 | Insertion bridge, fully insulated, for plug connectors with 5.0 or 5.08 mm pitch, no. of positions: 6 |

General

| | | |
|---------|-----------------|--|
| 1733169 | EBP 2- 5 | Insertion bridge, fully insulated, for plug connectors with 5.0 or 5.08 mm pitch, no. of positions: 2 |
| 1803921 | KGG-MSTB 2,5/ 8 | Cable housing, for cable diameters of 5 - 9.5 mm, clamps, screws, and marker strips are included, color: green, no. of positions: 8 |
| 1783779 | KGS-MSTB 2,5/ 8 | Cable housing, for cable diameters of 6 - 13.5 mm, marker strips and transparent label carrier are included, color: green, no. of positions: 8 |

Marking

| | | |
|---------|--------------------------|---|
| 1051993 | B-STIFT | Marker pen, for manual labeling of unprinted Zack strips, smear-proof and waterproof, line thickness 0.5 mm |
| 0805108 | SK 5,08/2,8:SO | Marker card, special printing, self-adhesive, labeled acc. to customer requirements, 14 identical marker strips per card, max. 25-position labeling per strip, color: White |
| 0804293 | SK 5,08/3,8:FORTL.ZAHLEN | Marker card, printed horizontally, self-adhesive, 12 identical decades marked 1-10, 11-20 etc. up to 91-(99)100, sufficient for 120 terminal blocks |
| 0803883 | SK U/2,8 WH:UNBEDRUCKT | Unprinted marker cards, DIN A4 format, pitch as desired, self-adhesive, with 50 stamped marker strips, 185 mm strip length, can be labeled with the CMS system or manually with the M-PEN |

Plug/Adapter

| | | |
|---------|---------|---|
| 1734634 | CP-MSTB | Coding profile, is inserted into the slot on the plug or inverted header, red insulating material |
|---------|---------|---|

Tools

| | | |
|---------|-------------|--|
| 1205053 | SZS 0,6X3,5 | Screwdriver, bladed, matches all screw terminal blocks up to 4.0 mm ² connection cross section, blade: 0.6 x 3.5 mm, without VDE approval |
|---------|-------------|--|

Additional products

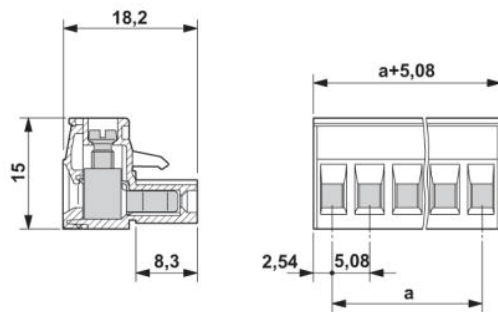
| Item | Designation | Description |
|----------------|-----------------------|--|
| General | | |
| 1880368 | EMSTBA 2,5/ 8-G-5,08 | Header, nominal current: 12 A, rated voltage: 250 V, pitch: 5.08 mm, no. of positions: 8, mounting: Press in |
| 1859577 | EMSTBVA 2,5/ 8-G-5,08 | Header, nominal current: 12 A, rated voltage: 200 V, pitch: 5.08 mm, no. of positions: 8, mounting: press in |

| | | |
|---------|--------------------------|---|
| 1873414 | FKIC 2,5/ 8-ST-5,08 | Plug component, nominal current: 12 A, rated voltage: 320 V, pitch: 5.08 mm, no. of positions: 8, type of connection: Spring-cage connection |
| 1823901 | ICC 2,5/ 8-STZ-5,08 | Plug component, nominal current: 12 A, rated voltage: 250 V, pitch: 5.08 mm, no. of positions: 8, type of connection: Crimp connection |
| 1762431 | MDSTB 2,5/ 8-G1-5,08 | Header, nominal current: 10 A, rated voltage: 250 V, pitch: 5.08 mm, no. of positions: 8, mounting: Soldering |
| 1842128 | MDSTBA 2,5/ 8-G-5,08 | Header, nominal current: 10 A, rated voltage: 250 V, pitch: 5.08 mm, no. of positions: 8, mounting: Soldering |
| 1762567 | MDSTBV 2,5/ 8-G1-5,08 | Header, nominal current: 10 A, rated voltage: 250 V, pitch: 5.08 mm, no. of positions: 8, mounting: Soldering |
| 1845390 | MDSTBVA 2,5/ 8-G-5,08 | Header, nominal current: 10 A, rated voltage: 250 V, pitch: 5.08 mm, no. of positions: 8, mounting: Soldering |
| 1770779 | MSTB 2,5/ 8-G-5,08-LA | Header, nominal current: 12 A, rated voltage: 250 V, pitch: 5.08 mm, no. of positions: 8, mounting: Soldering |
| 1757307 | MSTBA 2,5/ 8-G-5,08 | Header, nominal current: 12 A, rated voltage: 250 V, pitch: 5.08 mm, no. of positions: 8, mounting: Soldering |
| 1771008 | MSTBA 2,5/ 8-G-5,08-LA | Header, nominal current: 12 A, rated voltage: 250 V, pitch: 5.08 mm, no. of positions: 8, mounting: Soldering |
| 1788787 | MSTBVK 2,5/ 8-G-5,08 | Header, nominal current: 12 A, rated voltage: 320 V, pitch: 5.08 mm, no. of positions: 8, mounting: Mounting rail |
| 1788596 | MVSTBU 2,5/ 8-GB-5,08 | Header, nominal current: 12 A, rated voltage: 320 V, pitch: 5.08 mm, no. of positions: 8, mounting: Direct mounting |
| 1769528 | SMSTB 2,5/ 8-G-5,08 | Header, nominal current: 12 A, rated voltage: 250 V, pitch: 5.08 mm, no. of positions: 8, mounting: Soldering |
| 1767436 | SMSTBA 2,5/ 8-G-5,08 | Header, nominal current: 12 A, rated voltage: 250 V, pitch: 5.08 mm, no. of positions: 8, mounting: Soldering |
| 3002034 | UK 3-MSTB-5,08 | Modular terminal blocks with plug entry, cross section: 0.2 - 2.5 mm ² , AWG: 30 - 12, width: 5.1 mm, color: gray |
| 3002076 | UK 3-MVSTB-5,08 | Modular terminal blocks with plug entry, cross section: 0.2 - 2.5 mm ² , AWG: 26 - 12, width: 5.1 mm, color: gray |
| 3002102 | UK 3-MVSTB-5,08-LA 24RD | Modular terminal block with plug entry, nominal current: 12 A, rated voltage: 320 V, pitch: 5.08 mm, no. of positions: 1, mounting: mounting rail, with red light indicator, voltage light indicator: 24 V AC/DC, current light indicator: 3.3 mA |
| 3002063 | UK 3-MVSTB-5,08/EK | Modular terminal blocks with plug entry, cross section: 0.2-2.5 mm ² , AWG: 26-12, width: 5.1 mm, color: blue |
| 3002131 | UK 3D-MSTBV-5,08 | Modular terminal blocks with vertical plug entry, cross section: 0.2 - 2.5 mm, AWG: 30 - 12, width: 5.1 mm, color: gray |
| 3002144 | UK 3D-MSTBV-5,08-LA 24RD | Modular terminal block with vertical plug entry, color: Gray, with red light indicator, voltage light indicator: 24 V AC/DC, current light indicator: 3.3 mA |
| 3002173 | UK 3D-MSTBV-5,08/EK | Modular terminal blocks with plug entry, cross section: 0.2 - 2.5 mm ² , AWG: 30 - 12, width: 5.1 mm, color: blue |

| | | |
|---------|-----------------------|---|
| 2770888 | UKK 3-MSTB-5,08 | Modular terminal blocks with 2 horizontal plug entries, cross section: 0.2 - 2.5 mm, AWG: 30 - 12, width: 5.1 mm, color: gray |
| 1876615 | UKK 3-MSTB-5,08-PE | Ground terminal block, with 2 horizontal plug entries, nominal current: 12 A, rated voltage: 320 V, pitch: 5.08 mm, no. of positions: 1, mounting: mounting rail. |
| 2770846 | UKK 3-MSTBVH-5,08 | Modular terminal blocks with vertical and horizontal plug entry, cross section: 0.2 - 2.5 mm, AWG: 30 - 12, width: 5.1 mm, color: gray |
| 1788172 | UMSTBVK 2,5/ 8-G-5,08 | Header, nominal current: 12 A, rated voltage: 320 V, pitch: 5.08 mm, no. of positions: 8, mounting: Mounting rail |
| 1873016 | ZFKK 1,5-MSTBV-5,08 | Modular terminal blocks with plug entry, cross section: 0.2 - 1.5 mm ² , width: 5.1 mm, color: gray |

Drawings

Dimensioned drawing



Address

PHOENIX CONTACT Inc., USA
586 Fulling Mill Road
Middletown, PA 17057, USA
Phone (800) 888-7388
Fax (717) 944-1625
<http://www.phoenixcon.com>



© 2008 Phoenix Contact
Technical modifications reserved;