

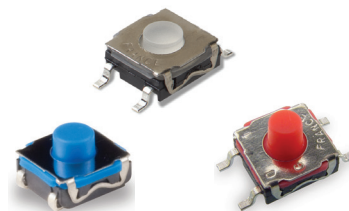
# KSC Series Sealed Tact Switch for SMT

## Features/Benefits

- Positive tactile feeling
- J or G terminations
- Various heights
- IP67

## Typical Applications

- Automotive
- Medical instruments
- Industrial electronics
- Network infrastructure and IT
- Elevator



## Specification

FUNCTION: Momentary action  
 CONTACT ARRANGEMENT: 1 make contact = SPST, N.O.  
 TERMINALS: J bend & Gullwing type for SMT  
 SEALING: IP67 except KSC5 (IP50)

## Electrical

|                  | Silver | Gold   |
|------------------|--------|--------|
| MAXIMUM POWER:   | 1 VA   | 0.2 VA |
| MAXIMUM VOLTAGE: | 32 VDC | 32 VDC |
| MINIMUM VOLTAGE: | 20 mV  | 20 mV  |
| MAXIMUM CURRENT: | 50 mA  | 10 mA  |
| MINIMUM CURRENT: | 1 mA*  | 0.1 mA |

## Liability Limitation

This datasheet does not provide enough information for applications that require a certain level of quality or safety such as automotive, medical systems, or safety equipment. Please contact customer service for the contractual specification package.

DIELECTRIC STRENGTH (50 Hz, 1 min.):  $\geq 250$  Vrms  
 CONTACT RESISTANCE:  $\leq 100$  m $\Omega$   
 INSULATION RESISTANCE (100 V):  $\geq 10$  M  $\Omega$   
 BOUNCE TIME:  $\leq 1$  ms

\* Ultra low current with 10  $\mu$ A - 1 VDC version are available upon request for KSC2 and KSC4

## Environmental

|                        | Silver        | Gold           |
|------------------------|---------------|----------------|
| OPERATING TEMPERATURE: | -40°C to 85°C | -40°C to 125°C |
| STORAGE TEMPERATURE:   | -55°C to 85°C | -55°C to 125°C |

## Packaging

Tape and Reel (see series for quantity information)

**NOTE:** Specifications listed above are for switches with standard options.

## Process

SOLDERING: Depending on the application, this component is suited to the following methods:

- Terminals being silver or gold plated over a nickel barrier, the use of slightly activated flux is suitable.
- Soldering on double wave machine for vertical versions: soldering time  $\leq 5$  sec.
- Cleaning according to typical washing processes.
- Lead free reflow soldering process in accordance with IEC 61760-1.

## KSC Product Range

| KSC1             | KSC2          | KSC3          | KSC4          | KSC5          | KSC6          | KSC7          | KSC8          | KSC9                              | KSC10         |
|------------------|---------------|---------------|---------------|---------------|---------------|---------------|---------------|-----------------------------------|---------------|
| Without actuator | Soft actuator | Hard actuator | Soft actuator | Hard actuator | Hard actuator | Soft actuator | Hard actuator | Hard actuator                     | Soft actuator |
| H = 2.5 mm       | H = 3.5 mm    | H = 3.5 mm    | H = 5.2 mm    | H = 5.6 mm    | H = 7.7 mm    | H = 4.3 mm    | H = 4.9 mm    | H = 7.7 mm compatible with button | H = 4.9 mm    |
| IP67             | IP67          | IP67          | IP67          | IP50          | IP67          | IP67          | IP67          | IP67                              | IP67          |



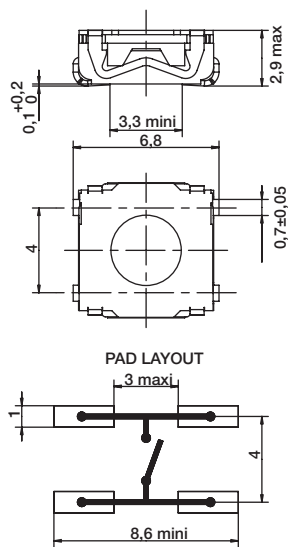
Note: KSC Series is subject to variants. Please contact customer service for other options.

# KSC Series Sealed Tact Switch for SMT

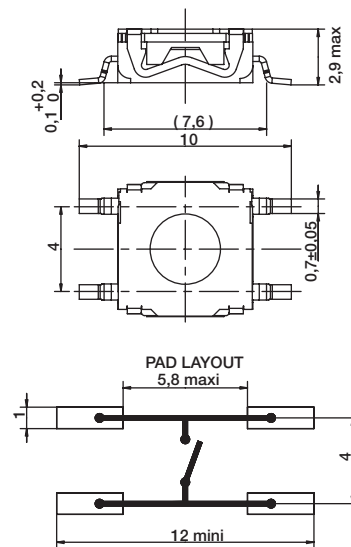
Tactile Switches

B

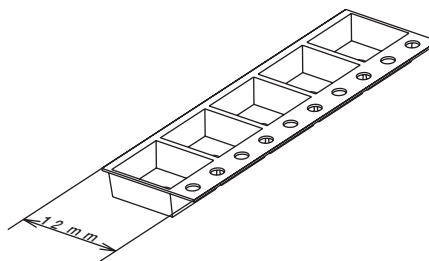
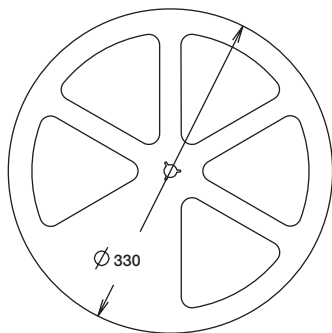
## J BEND



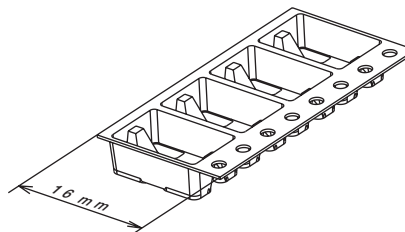
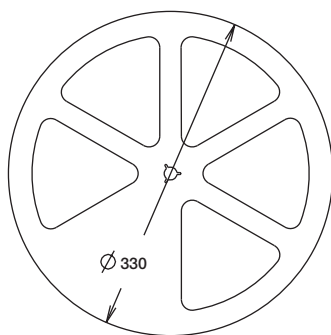
## G GULLWING



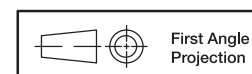
### 12 MM



### 16 MM



| 12 mm | Pieces | 16 mm      | Pieces |
|-------|--------|------------|--------|
| KSC1J | 2,000  | KSC1G      | 2,000  |
| KSC2J | 2,000  | KSC2G      | 2,000  |
| KSC3J | 2,000  | KSC3G      | 2,000  |
|       |        | KSC4J & G  | 1,000  |
|       |        | KSC5J & G  | 1,000  |
|       |        | KSC6J & G  | 750    |
|       |        | KSC7J & G  | 1,000  |
|       |        | KSC8J & G  | 1,000  |
|       |        | KSC9J & G  | 750    |
|       |        | KSC10J & G | 1,000  |



First Angle  
Projection

Dimensions are shown: mm  
Specifications and dimensions subject to change

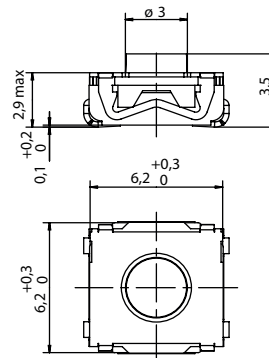
# KSC2 Series

## Sealed Tact Switch for SMT

KSC2 soft actuator 3,5 mm high



| Type       | Operating force FA (Newtons) | Operating life (operations) | Travel (mm)        |
|------------|------------------------------|-----------------------------|--------------------|
| KSC201     | 1.6 ± 0.6                    | 5,000,000                   | 0.3 ± 0.2          |
| KSC221     | 2 ± 0.5                      | 500,000                     | 0.35 + 0.25/- 0.15 |
| KSC222     | 2 ± 0.5                      | 1,000,000                   | 0.35 + 0.25/- 0.15 |
| KSC241     | 3.5 ± 0.9                    | 300,000                     | 0.5 ± 0.2          |
| KSC251     | 5.55 ± 1.45                  | 300,000                     | 0.5 ± 0.2          |
| KSC241 SPD | 3.55 ± 0.9                   | 300,000                     | 0.5 ± 0.2          |
| KSC251 SPD | 6.2 ± 1.55                   | 100,000                     | 0.6 ± 0.2          |



### Packaging

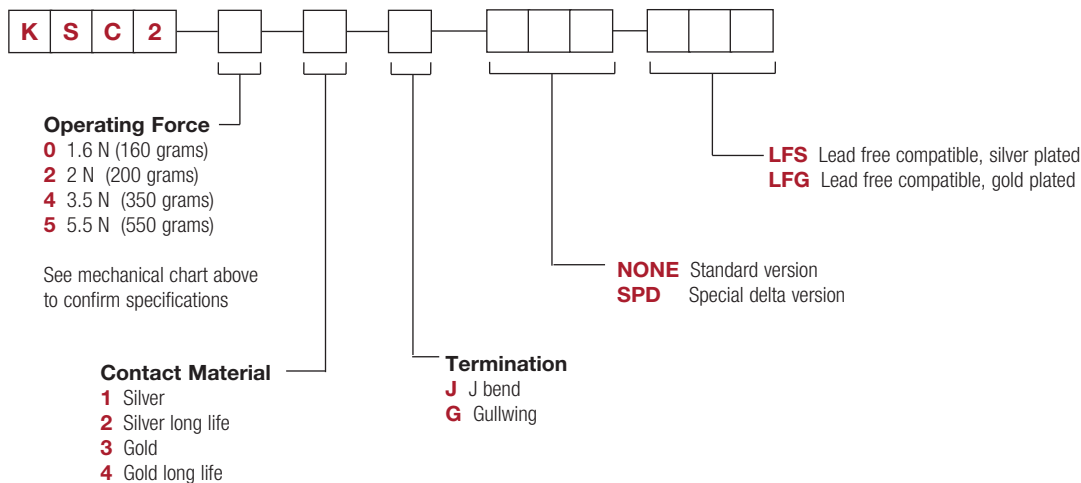
Switches delivered on continuous tape & reels of 2,000 pieces  
 Dimensions according to EIA RS-481/ IEC 60286-3 standard  
 External diameter 330 ± 2 mm

### How To Order

Our easy build-a-switch concept allows you to mix and match options to create the switch you need. To order, select desired option from each category and place it in the appropriate box.

**However, please note that all the combinations of these options are not feasible.**

**For any part number different from those listed above, please consult your local representative.**



Dimensions are shown: mm  
 Specifications and dimensions subject to change

# Mouser Electronics

Authorized Distributor

Click to View Pricing, Inventory, Delivery & Lifecycle Information:

## C&K Switches:

[KSC201GLFS](#) [KSC201JLFS](#) [KSC223GLFG](#) [KSC223JLFG](#) [KSC243GLFG](#) [KSC243JLFG](#) [KSC233JSPDLFG](#)  
[KSC221JLFS](#) [KSC222JLFS](#) [KSC222GLFS](#) [KSC221GLFS](#) [KSC241GLFS](#) [KSC241JLFS](#) [KSC252JLFS](#)