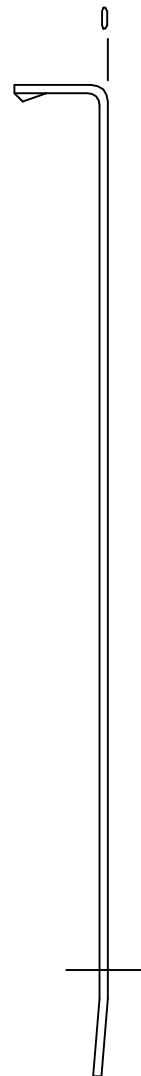
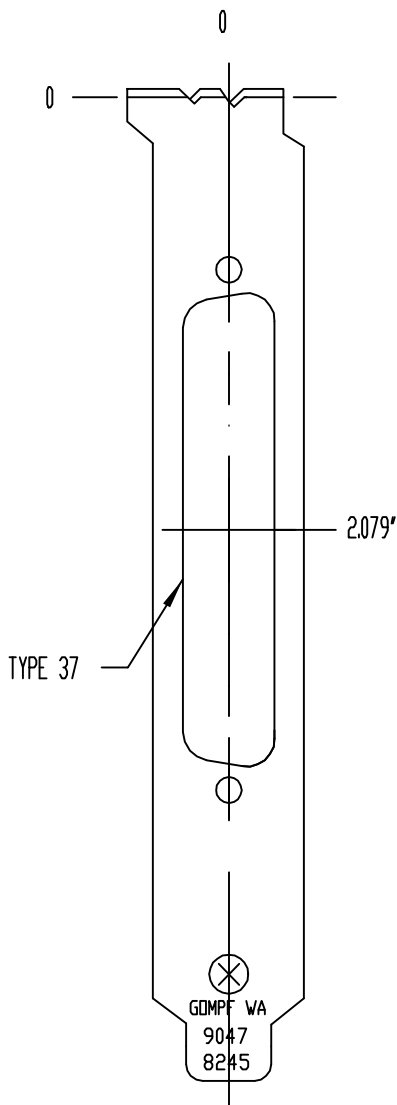
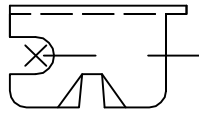


Gompf

GOMPf BRACKETS, INC.
WWW.BRACKET.COM
sales@bracket.com
Phone: (425) 391-0495
Fax: (425) 391-0496



COPYRIGHT PROTECTED

DWG. NO. 9047-8245LC

MATERIAL:
0.036 THK CRS

FINISH:
BRIGHT NICKLE

TOLERANCES:
STD. TOLS. +0.010
RAD. TOLS. +0.010
HOLE TOLS. +0.005
MAT. TOLS. +0.002

SCALE: 1:1

DATE: 1-13-94

REV. 0

ISSUED:

APPROVALS: LK

DRAWN BY: PBB