

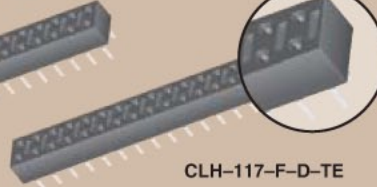
(2,54mm) .100"

CLH SERIES

CLH-115-F-D-DE



CLH-117-F-D-TE



CLH-112-F-D-PE



# THROUGH-HOLE LOW PROFILE SOCKET

## SPECIFICATIONS

For complete specifications and recommended PCB layouts see [www.samtec.com?CLH](http://www.samtec.com?CLH)

**Insulator Material:**

Black Liquid Crystal Polymer



**Contact Material:**

Phosphor Bronze

**Operating Temp Range:**

-65°C to +125°C with Gold  
-65°C to +105°C with Tin

**Plating:**

Au or Sn over

50µ" (1,27µm) Ni

**Contact Resistance:**

10 mΩ max

**Insertion Depth:**

(2,67mm) .105" to

(3,43mm) .135"

plug from top, (3,18mm) .125"

min plus board thickness plug from bottom

**Insertion Force:**

4.0oz (1,11N) average

**Normal Force:**

50 grams (0,48N)

**Withdrawal Force:**

1.1oz (0,31N) average

**Max Cycles:**

100 with 10µ" (0,25µm) Au

**RoHS Compliant:**

Yes

**Processing:**

Lead-Free Solderable:

Yes

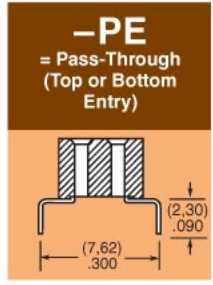
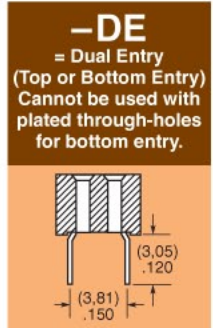
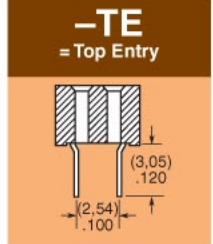


**Mates with:**  
TSW, MTSW, HTSW,  
HMTSW, DW, EW, ZW,  
TLW, TSM, MTLW

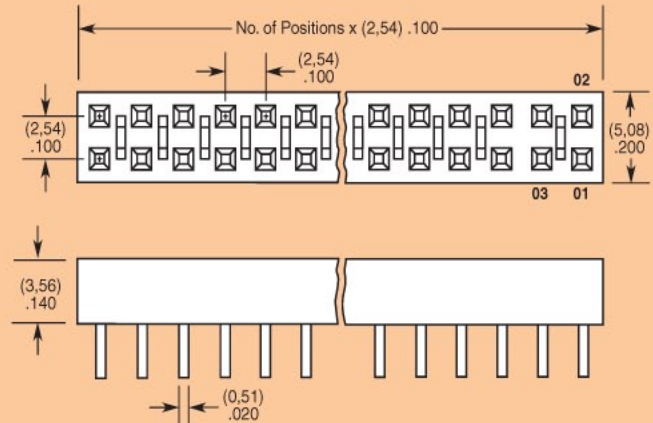
**-F**  
= Pre-plated Gold flash on contact,  
75µ" (1,91µm) Matte Tin on tail

**-L**  
= Pre-plated 10µ" (0,25µm)  
Gold on contact,  
75µ" (1,91µm) Matte Tin on tail

**Note:** Other Gold plating options available. Contact Samtec.



## 02 thru 50



**Note:** Some lengths, styles and options are non-standard, non-returnable.

Due to technical progress, all designs, specifications and components are subject to change without notice.

[WWW.SAMTEC.COM](http://WWW.SAMTEC.COM)

# Mouser Electronics

Authorized Distributor

Click to View Pricing, Inventory, Delivery & Lifecycle Information:

[Samtec:](#)

[CLH-112-F-D-PE](#) [CLH-111-L-D-PE](#) [CLH-105-F-D-PE](#) [CLH-106-L-D-PE](#) [CLH-107-L-D-PE](#) [CLH-108-L-D-PE](#) [CLH-112-L-D-PE](#) [CLH-113-L-D-PE](#) [CLH-103-L-D-PE](#)