

Vertical Test Jacks

Application • Test Points



INCHES (MILLIMETERS)
CUSTOMER DRAWINGS AVAILABLE UPON REQUEST

Insulated: Machined Contact

SPECIFICATIONS:

Contact: Beryllium copper per QQ-C-530

Finish: Silver

Body: Nylon 6/6 per ASTM D4066

RATINGS

Current: 5 amps

Breakdown Voltage: 3500 Vrms minimum

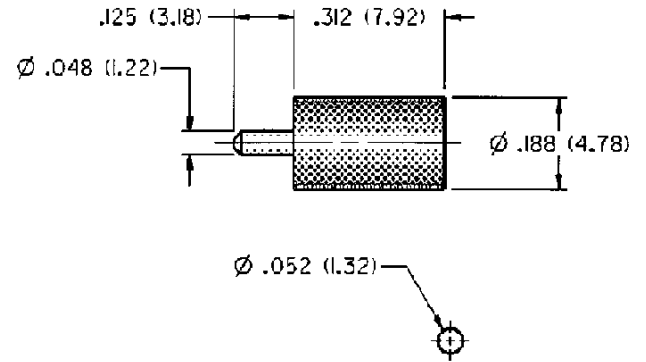
Contact Resistance: 0.010 ohms maximum

Adjacent Jack C: 1 pF maximum at 1 MHz

For Standard Tip Plug: .080 (2.00) Diameter

FEATURES:

- Contact protected from flux and solder
- Nylon UL approved for self extinguishing



MOUNTING HOLE LAYOUT

SILVER PLATING	
PART NO.	COLOR
105-0858-001	Brown

Mouser Electronics

Authorized Distributor

Click to View Pricing, Inventory, Delivery & Lifecycle Information:

[Cinch Connectivity Solutions:](#)

[105-0858-001](#)