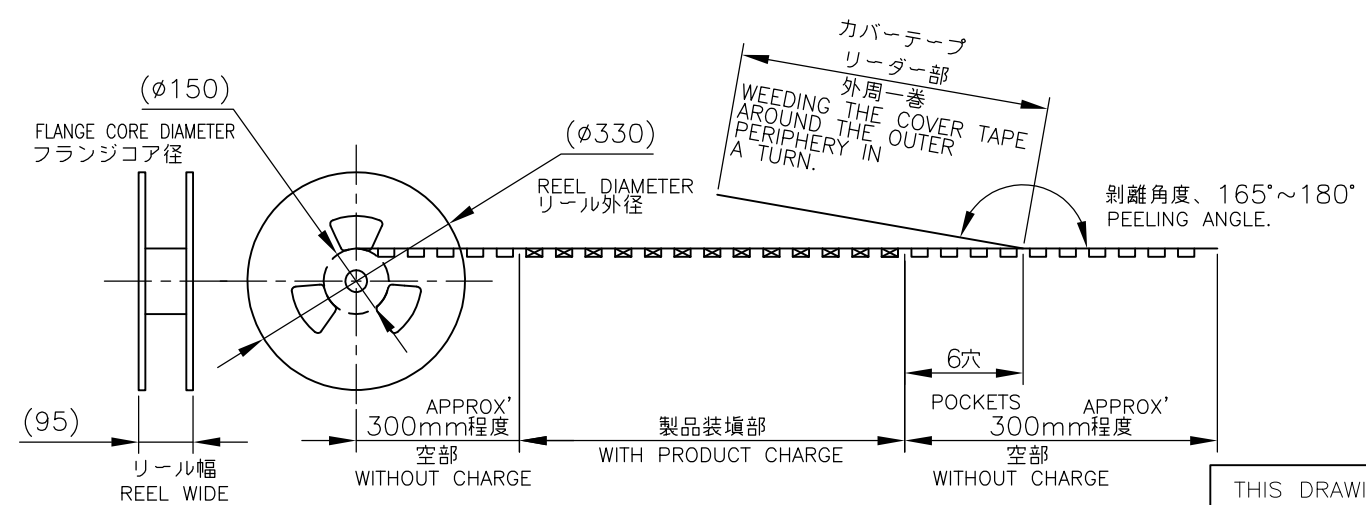
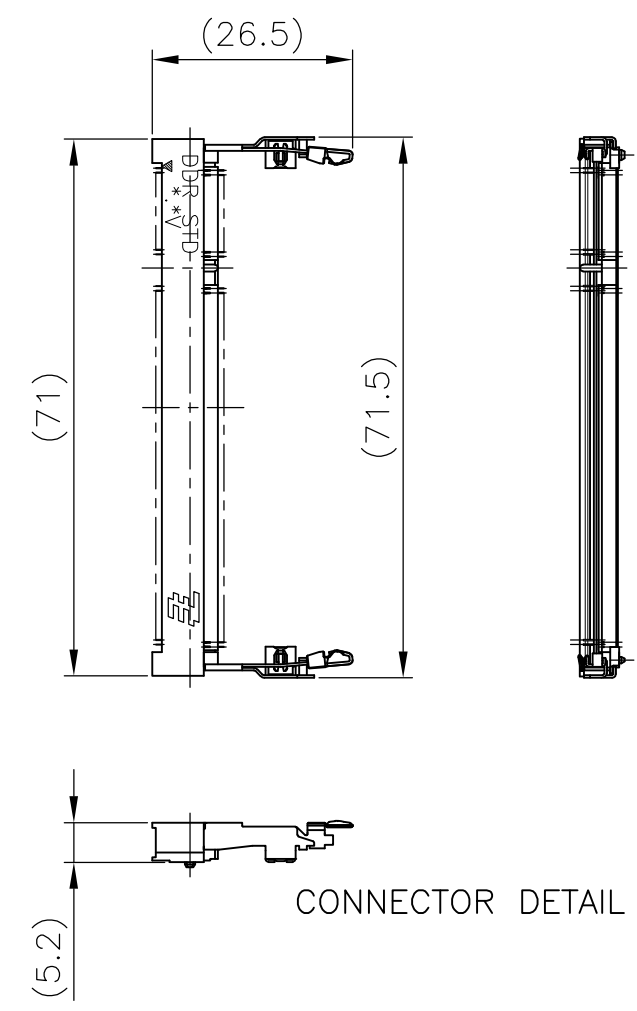
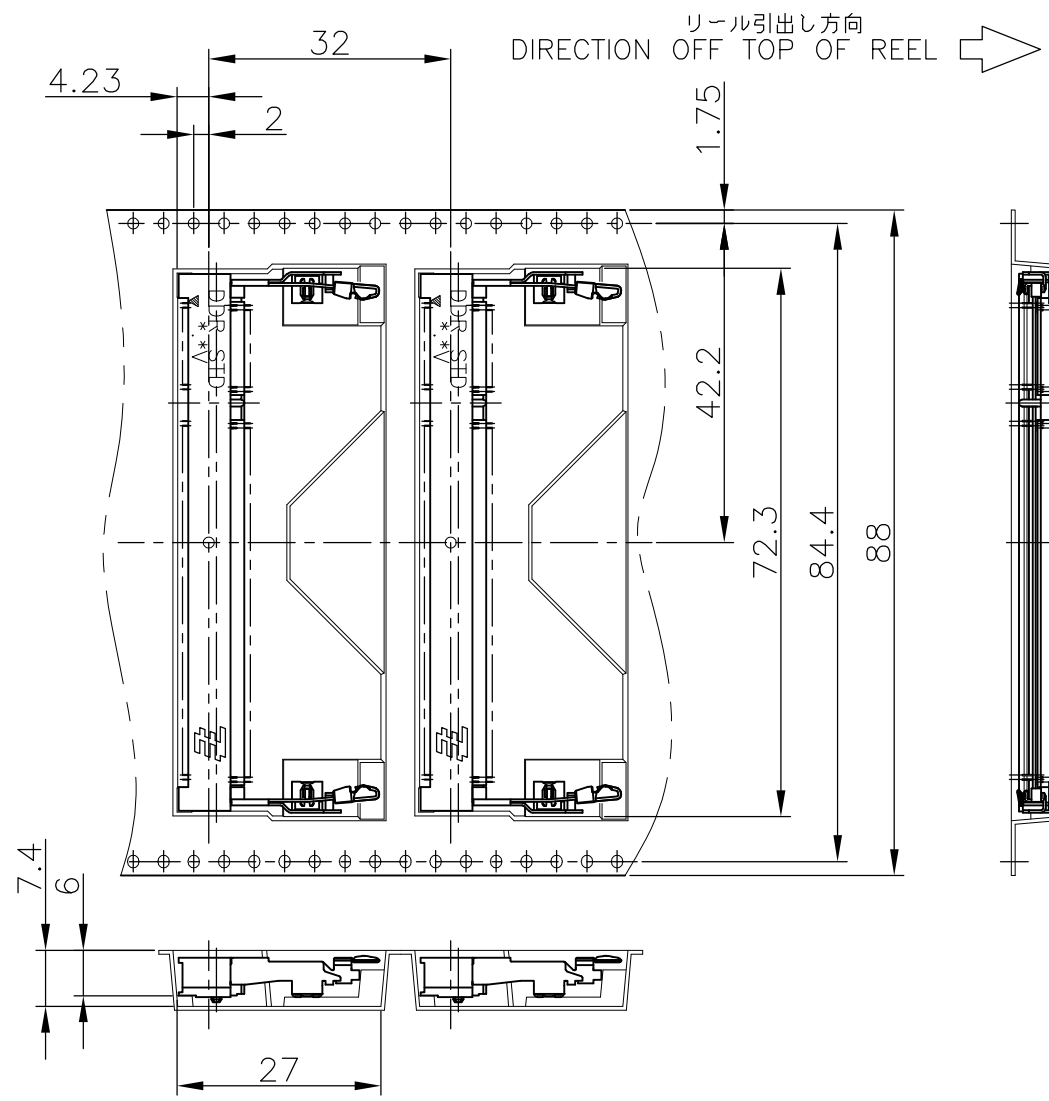


THIS DRAWING IS UNPUBLISHED. RELEASED FOR PUBLICATION DEC. 2001.
 © COPYRIGHT 2001 By - ALL RIGHTS RESERVED.

LOC	DIST	REVISIONS					
		P	LTR	DESCRIPTION	DATE	DWN	APVD
J			D2	REVISED PER ECO-11-005033	24MAR11	RK	HMR



鉛フリー
LEAD FREE

1.8V (DDR2)	150EA/REEL	1565711-4	1565917-4
2.5V (DDR1)	150EA/REEL	1565711-3	1565917-1
POWER SUPPLY (TYPE)	QTY	CONNECTOR P/N	P/N

THIS DRAWING IS A CONTROLLED DOCUMENT.

DWN	T.FUMIKURA	14DEC01
CHK	T.KUSUHARA	14DEC01
APVD	T.KUSUHARA	14DEC01

NAME 名称: T.KUSUHARA

PRODUCT SPEC 製品規格: 108-5701

APPLICATION SPEC 取付適用規格

WEIGHT

CUSTOMER DRAWING

SCALE 尺度: 1:1

SHEET 1 OF 1

REV D2

RESTRICTED TO

SIZE A3

CAGE CODE 00779

DRAWING NO. 1565917

TE Connectivity

EMBOSS ASSEMBLY
DDR1 & DDR2 SODIMM SOCKET 200P
STANDARD PROFILE STANDARD TYPE

Mouser Electronics

Authorized Distributor

Click to View Pricing, Inventory, Delivery & Lifecycle Information:

[TE Connectivity:](#)

[1565917-4](#)