

Description

The EP5368QI is a synchronous buck converter with integrated Inductor, PWM controller, MOSFETS, and Compensation providing the smallest possible solution size. The EP5368QI requires only two small MLCC capacitors to make a complete solution. Integration of the inductor greatly simplifies design, contains noise, reduces part count, and reduces solution footprint. Low output ripple ensures compatibility with RF systems.

The EP5368QI operates at a switching frequency of 4 MHz, enabling this unprecedented level of integration and small external components. Type III voltage mode control is used to provide high noise immunity and wide control loop bandwidth. The device can source 600mA of current over the industrial temperature range and up to 700mA over the commercial temperature range.

The small footprint makes this part ideal for space constrained applications. Output voltage is programmed via a 3-pin VID selector providing seven pre-programmed output voltages along with an option for external resistor divider.

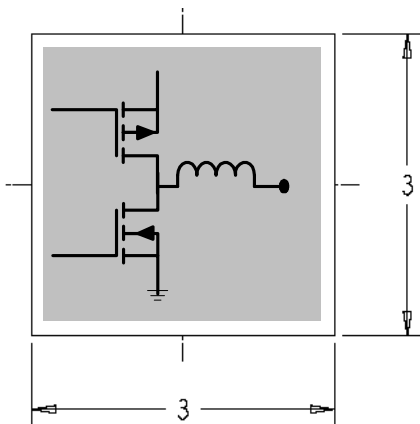


Figure 1: Features INTEGRATED INDUCTOR TECHNOLOGY

Features

- Integrated Inductor
- 3mm x 3mm x 1.1mm QFN package
- Only two low cost MLCC caps required
- 4 MHz switching frequency
- High efficiency, up to 94%
- Up to 700mA continuous output current
- Wide 2.4V to 5.5V input range
- V_{OUT} Range 0.603V to $V_{IN} - 0.4V$
- 100% duty cycle capable
- Less than 1 μA standby current
- Low V_{OUT} ripple for RF compatibility
- Short circuit and over current protection
- UVLO and thermal protection
- Stable over entire operating range
- RoHS compliant; MSL 3 260°C reflow

Application

- Noise sensitive RF applications
- Area constrained applications
- Smart phones and PDAs
- Personal Media Players
- Advanced Mobile Processors, DSP, IO, Memory, Video, Multimedia Engines

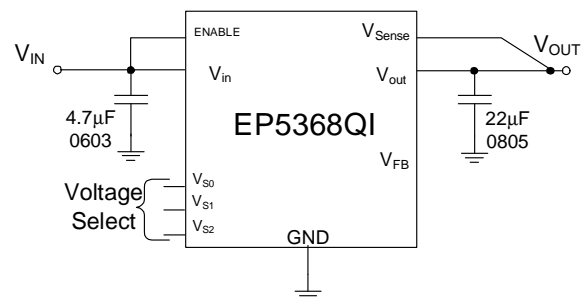


Figure 2: Typical Application Schematic

Ordering Information

Part Number	Temp Rating (°C)	Package
EP5368QI	-40 to +85	16-pin QFN T&R
EP5368QI-E	EP5368QI Evaluation Board	

Pin Assignments (Top View)

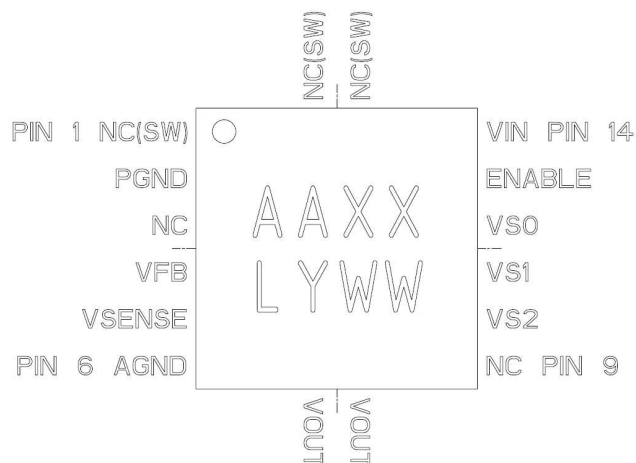


Figure 3: Pin Out Diagram (Top View)

Pin Description

PIN	NAME	FUNCTION
1, 3, 9, 15, 16	NC	NO CONNECT – These pins should not be electrically connected to each other or to any external signal, voltage, or ground. One or more of these pins may be connected internally. These pins must be soldered to the PCB.
2	PGND	Power Ground
4	V _{FB}	Feed back pin for external divider option. When using the external divider option (VS0=VS1=VS2= high) connect this pin to the center of the external divider. Set the divider such that V _{FB} = 0.6V. The “ground” side of the external divider should be connected to AGND.
5	V _{SENSE}	Sense pin for preset output voltages. Connect this to V _{OUT} or as close to V _{OUT} as possible to ensure the best regulation.
6	AGND	Analog ground. This is the quiet ground for the internal control circuitry.
7, 8	V _{OUT}	Regulated Output Voltage
10, 11, 12	VS0, VS1, VS2	Output voltage select. VS2=pin10 VS1=pin11, VS0=pin12. Selects one of seven preset output voltages or choose external divider by connecting pins to logic high or low. Logic low is defined as V _{LOW} ≤ 0.4V. Logic high is defined as V _{HIGH} ≥ 1.4V. Any level between these two values is indeterminate. (Refer to section on output voltage select for more detail).
13	ENABLE	Output enable: Enable = logic high, disable = logic low. Logic low is defined as V _{LOW} ≤ 0.4V. Logic high is defined as V _{HIGH} ≥ 1.4V. Any level between these two values is indeterminate.
14	V _{IN}	Input voltage pin. Supplies power to the IC.

Absolute Maximum Ratings

CAUTION: Absolute Maximum ratings are stress ratings only. Functional operation beyond the recommended operating conditions is not implied. Stress beyond the absolute maximum ratings may cause permanent damage to the device. Exposure to absolute maximum rated conditions for extended periods may affect device reliability.

PARAMETER	SYMBOL	MIN	MAX	UNITS
Input Supply Voltage	V_{IN}	-0.3	7.0	V
Voltages on: ENABLE, V_{SENSE} , $V_{S0} - V_{S2}$		-0.3	$V_{IN} + 0.3$	V
Voltage on: V_{FB}		-0.3	2.7	V
Storage Temperature Range	T_{STG}	-65	150	°C
Reflow Temp, 10 Sec, MSL3 JEDEC J-STD-020C			260	°C
ESD Rating (based on Human Body Mode)			2000	V

Recommended Operating Conditions

PARAMETER	SYMBOL	MIN	MAX	UNITS
Input Supply Voltage	V_{IN}	2.4	5.5	V
Operating Ambient Temperature	T_A	- 40	85	°C
Operating Junction Temperature	T_J	- 40	125	°C

Thermal Characteristics

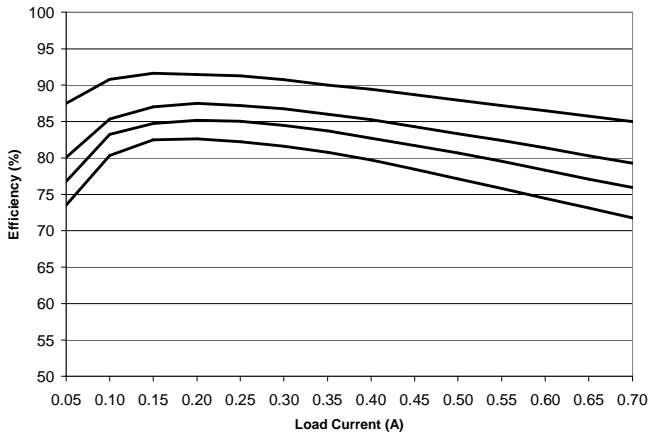
PARAMETER	SYMBOL	TYP	UNITS
Thermal Resistance: Junction to Ambient (0 LFM)	θ_{JA}	85	°C/W
Thermal Overload Trip Point	T_{J-TP}	150	°C
Thermal Overload Trip Point Hysteresis		15	°C

Electrical Characteristics

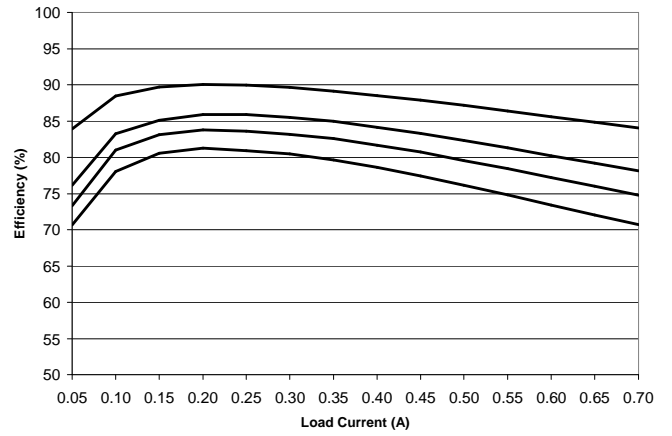
NOTE: $T_A = -40^{\circ}\text{C}$ to $+85^{\circ}\text{C}$ unless otherwise noted. Typical values are at $T_A = 25^{\circ}\text{C}$, $V_{IN} = 3.6\text{V}$
 $C_{IN} = 4.7\mu\text{F}$ 0603 MLCC, $C_{OUT} = 22\mu\text{F}$ 0805 MLCC

PARAMETER	SYMBOL	TEST CONDITIONS	MIN	TYP	MAX	UNITS
Operating Input Voltage Range	V_{IN}		2.4		5.5	V
Under Voltage Lock-out – V_{IN} Rising	V_{UVLO_R}			2.2	2.3	V
Under Voltage Lock-out – V_{IN} Falling	V_{UVLO_F}			2.1	2.2	V
Drop Out Resistance	R_{DO}	Input to Output Resistance in 100% duty cycle operation.		400	500	m Ω
Output Voltage Range	V_{OUT}	External Feedback Mode VID Mode	0.603 0.8		$V_{IN}-V_{DO}$ 3.3	V
Dynamic Voltage Slew Rate (VID Change)	V_{SLEW}		0.975	1.5	2.025	V/mS
V_{OUT} Initial Accuracy (VID Preset Mode)	$\Delta V_{OUT_INITIAL}$	$T_A = 25^{\circ}\text{C}$, $V_{IN} = 3.6\text{V}$; $I_{LOAD} = 100\text{mA}$; $0.8\text{V} \leq V_{OUT} \leq 3.3\text{V}$	-2		+2	%
V_{OUT} Accuracy (VID Preset Mode) over line, load and temperature variation	ΔV_{OUT_ALL}	$-40^{\circ}\text{C} \leq T_A \leq +85^{\circ}\text{C}$ $2.4\text{V} \leq V_{IN} \leq 5.5\text{V}$; $0.8\text{V} \leq V_{OUT} \leq 3.3\text{V}$ $0\text{A} \leq I_{LOAD} \leq 700\text{A}$	-3		+3	%
Feedback Pin Voltage Initial Accuracy	$\Delta V_{FB_INITIAL}$	$T_A = 25^{\circ}\text{C}$, $V_{IN} = 3.6\text{V}$; $I_{LOAD} = 100\text{mA}$; $0.8\text{V} \leq V_{OUT} \leq 3.3\text{V}$	0.591	.603	0.615	V
Feedback Pin Voltage Accuracy over line, load, and temperature variations	ΔV_{FB_ALL}	$-40^{\circ}\text{C} \leq T_A \leq +85^{\circ}\text{C}$ $2.4\text{V} \leq V_{IN} \leq 5.5\text{V}$; $0.8\text{V} \leq V_{OUT} \leq 3.3\text{V}$ $0\text{A} \leq I_{LOAD} \leq 700\text{A}$	0.585	.603	0.621	V
Feedback Pin Input Current	I_{FB}				100	nA
Continuous Output Current	I_{OUT}	$V_{IN} = 5\text{V}$, $0.603\text{V} < V_{OUT} < 3.3\text{V}$, $T_A = -40^{\circ}\text{C}$ to $+85^{\circ}\text{C}$	600			mA
Continuous Output Current	I_{OUT}	$V_{IN} = 5\text{V}$, $0.603\text{V} < V_{OUT} < 3.3\text{V}$, $T_A = -10^{\circ}\text{C}$ to $+85^{\circ}\text{C}$ (Application Circuit Figure 6)	700			mA
Shut-Down Current	I_{SD}	Enable = Low		0.75		μA
PFET OCP Threshold	I_{ILM}	$2.4\text{V} \leq V_{IN} \leq 5.5\text{V}$, $0.6\text{V} \leq V_{IN} \leq 3.3\text{V}$	1.4	2		A
VS0-VS2, Enable Voltage Threshold	V_{TH}	Pin = Low	0.0		0.4	
		Pin = High	1.4		V_{IN}	
VS0-VS2 Pin Input Current	I_{VSX}			1		nA
Operating Frequency	F_{OSC}			4		MHz
Soft Start Operation						
Soft-Start Slew Rate	V_{SS}	VID programming mode	0.975	1.5	2.025	V/mS
V_{OUT} Rise Time	T_{SS}	VFB programming mode	0.784	1.2	1.628	mS

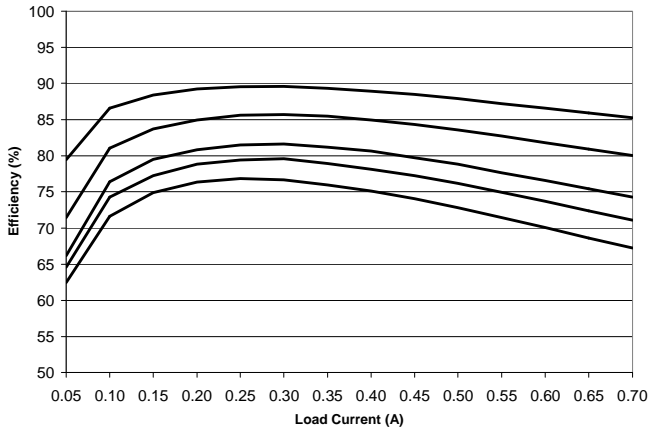
Typical Performance Characteristics



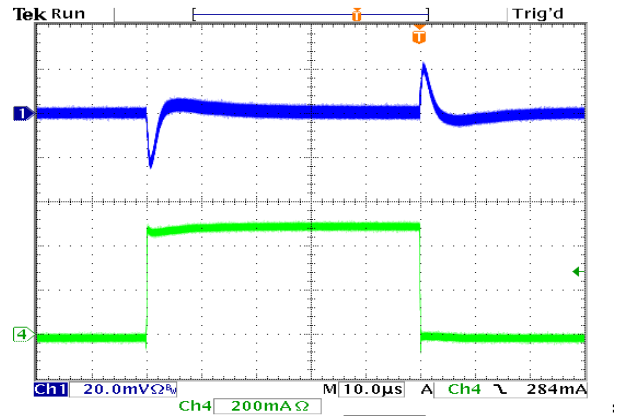
Efficiency Versus Load; $V_{IN} = 3.3V$,
 V_{OUT} (from top to bottom) 2.5V, 1.8V, 1.5V, 1.2V.



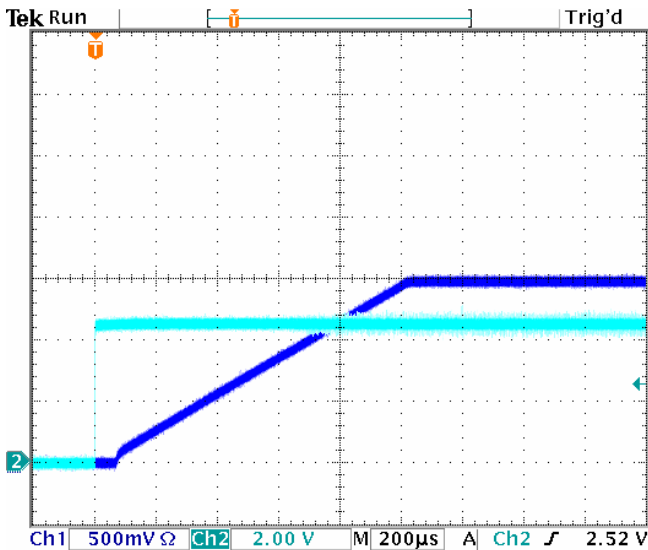
Efficiency Versus Load; $V_{IN} = 3.7V$,
 V_{OUT} (from top to bottom) 2.5V, 1.8V, 1.5V, 1.2V.



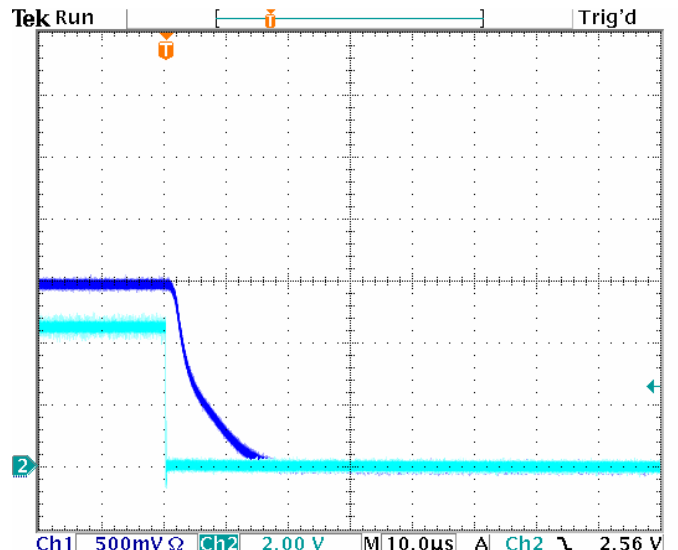
Efficiency Versus Load; $V_{IN} = 5V$,
 V_{OUT} (from top to bottom) 3.3V, 2.5V, 1.8V, 1.5V, 1.2V.



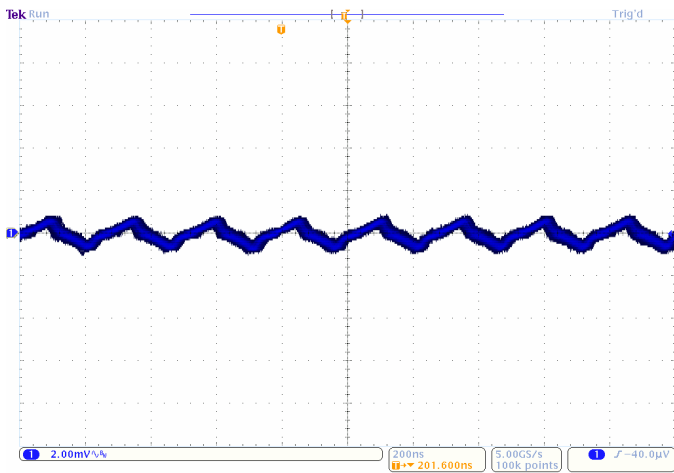
Transient, $V_{IN} = 3.6V$, $V_{OUT} = 1.2V$, Load = 0-500mA



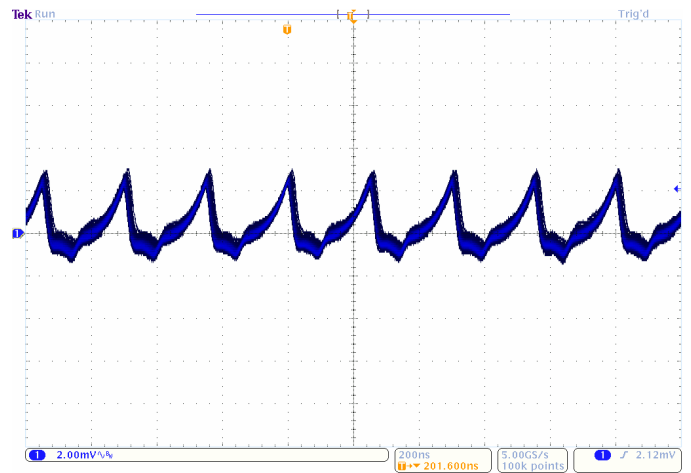
Startup, $V_{IN} = 3.6V$, $V_{OUT} = 1.5V$, Load = 500mA



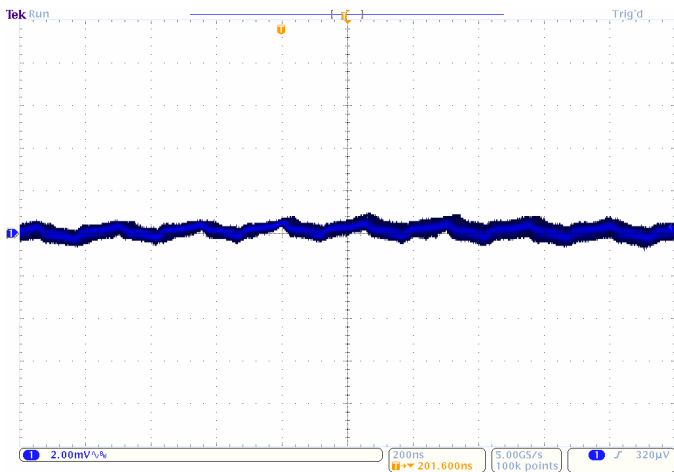
Shutdown, $V_{IN} = 3.6V$, $V_{OUT} = 1.5V$, Load = 500mA



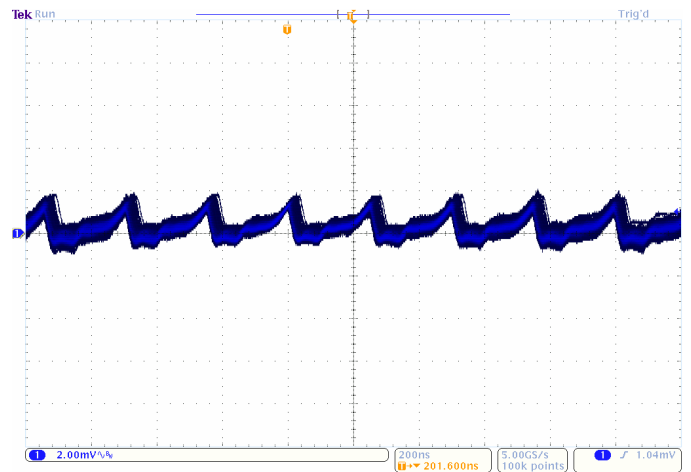
Voltage Ripple, $V_{IN} = 3.3V$, $V_{OUT} = 1.8V$, Load = 0mA
 $C_{OUT} = 1x 22\mu F$, 0805, 2.0mV/Div.



Voltage Ripple, $V_{IN} = 3.3V$, $V_{OUT} = 1.8V$, Load = 600mA
 $C_{OUT} = 1x 22\mu F$, 0805, 2.0mV/Div.



Voltage Ripple, $V_{IN} = 3.3V$, $V_{OUT} = 1.8V$, Load = 0mA
 $C_{OUT} = 2x 10\mu F$, 0805, 2.0mV/Div.



Voltage Ripple, $V_{IN} = 3.3V$, $V_{OUT} = 1.8V$, Load = 600mA
 $C_{OUT} = 2x 10\mu F$, 0805, 2.0mV/Div.

Functional Block Diagram

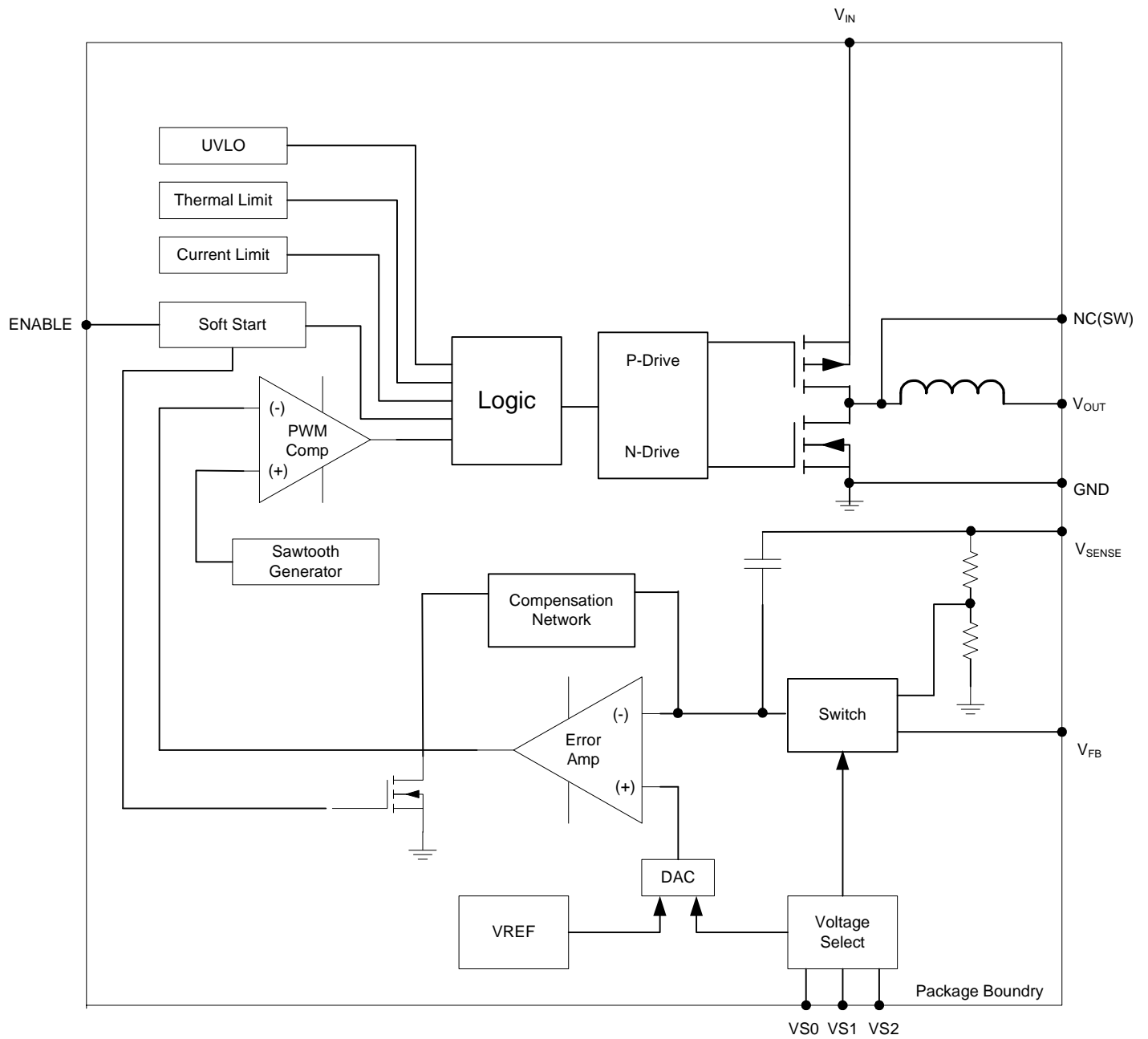


Figure 4: Functional Block Diagram

Detailed Description

Functional Overview

The EP5368QI is a complete DCDC converter solution requiring only two low cost MLCC capacitors, MOSFET switches, PWM controller, Gate-drive, compensation, and inductor are integrated into the tiny 3mm x 3mm x 1.1mm package to provide the smallest footprint possible while maintaining high efficiency, low ripple, and high performance. The converter uses voltage mode control to provide the simplest implementation and high noise immunity. The device operates at a 4MHz switching frequency. The high switching frequency allows for a wide control loop bandwidth providing excellent transient performance. The high switching frequency further enables the use of very small components making possible this unprecedented level of integration.

Enpirion's proprietary power MOSFET technology provides very low switching loss at frequencies of 4 MHz and higher, allowing for the use of very small internal components, and high performance. Integration of the magnetics virtually eliminates the design/layout issues normally associated with switch-mode DCDC converters. All of this enables much easier and faster incorporation into various applications to meet demanding EMI requirements.

Output voltage is chosen from seven preset values via a three pin VID voltage select scheme. An external divider option enables the selection of any voltage in VIN to 0.603V range. This reduces the number of components that must be qualified and reduces inventory burden. The VID pins can be toggled on the fly to implement glitch free dynamic voltage scaling.

Protection features include under-voltage lock-out (UVLO), over-current protection (OCP), short circuit protection, and thermal overload protection.

Integrated Inductor

Enpirion has introduced the world's first

product family featuring integrated inductors. The EP5368QI utilizes a proprietary low loss integrated inductor. The use of an internal inductor localizes the noises associated with the output loop currents. The inherent shielding and compact construction of the integrated inductor reduces the radiated noise that couples into the traces of the circuit board. Further, the package layout is optimized to reduce the electrical path length for the AC ripple currents that are a major source of radiated emissions from DCDC converters. The integrated inductor significantly reduces parasitic effects that can harm loop stability, and makes layout very simple.

Stable Over Wide Range of Operating Conditions

The EP5368QI utilizes an internal type III compensation network and is designed to provide a high degree of stability over a wide range of operating conditions. The device operates over the entire input and output voltage range with no external modifications required. The very high switching frequency allows for a very wide control loop bandwidth.

Soft Start

Internal soft start circuits limit in-rush current when the device starts up from a power down condition or when the "ENABLE" pin is asserted "high". Digital control circuitry limits the V_{OUT} ramp rate to levels that are safe for the Power MOSFETS and the integrated inductor.

The EP5368QI has two soft start operating modes. When V_{OUT} is programmed using a preset voltage in VID mode, the device has a constant slew rate. When the EP5368QI is configured in external resistor divider mode, the device has a constant V_{OUT} ramp time. Output voltage slew rate and ramp time is given in the Electrical Characteristics Table.

Excess bulk capacitance on the output of the device can cause an over-current condition at startup.

When operating in VID mode, the maximum total capacitance on the output, including the output filter capacitor and bulk and decoupling capacitance, at the load, is given as:

$$C_{OUT_TOTAL_MAX} = C_{OUT_Filter} + C_{OUT_BULK} = 700\mu F$$

When the EP5368QI output voltage is programmed using an external resistor divider the maximum total capacitance on the output is given as:

$$C_{OUT_TOTAL_MAX} = 1.251 \times 10^{-3} / V_{OUT} \text{ Farads}$$

The above number and formula assume a no load condition at startup.

Over Current/Short Circuit Protection

The current limit function is achieved by sensing the current flowing through a sense P-MOSFET which is compared to a reference current. When this level is exceeded the P-FET is turned off and the N-FET is turned on, pulling V_{OUT} low. This condition is maintained for a period of 1mS and then a normal soft start is initiated. If the over current condition still persists, this cycle will repeat in a “hiccup” mode.

Under Voltage Lockout

During initial power up an under voltage lockout circuit will hold-off the switching circuitry until the input voltage reaches a sufficient level to insure proper operation. If the voltage drops below the UVLO threshold, the lockout circuitry will again disable the switching. Hysteresis is included to prevent chattering between states.

Enable

The ENABLE pin provides a means to shut down the converter or enable normal operation. A logic low will disable the converter and cause it to shut down. A logic high will enable the converter into normal operation. In shutdown mode, the device quiescent current will be less than 1 μA .

NOTE: This pin must not be left floating.

Thermal Shutdown

When excessive power is dissipated in the chip, the junction temperature rises. Once the junction temperature exceeds the thermal shutdown temperature the thermal shutdown circuit turns off the converter output voltage thus allowing the device to cool. When the junction temperature decreases by $15C^{\square}$, the device will go through the normal startup process.

Application Information

Output Voltage Select

To provide the highest degree of flexibility in choosing output voltage, the EP5368QI uses a 3 pin VID, or Voltage ID, output voltage select arrangement. This allows the designer to choose one of seven preset voltages, or to use an external voltage divider. Internally, the output of the VID multiplexer sets the value for the voltage reference DAC, which in turn is connected to the non-inverting input of the error amplifier. This allows the use of a single feedback divider with constant loop gain and optimum compensation, independent of the output voltage selected.

Table 1 shows the various VS0-VS2 pin logic states and the associated output voltage levels. A logic “1” indicates a connection to VIN or to a “high” logic voltage level. A logic “0” indicates a connection to ground or to a “low” logic voltage level. These pins can be either hardwired to VIN or GND or alternatively can be driven by standard logic levels. Logic low is defined as $V_{LOW} \leq 0.4V$. Logic high is defined as $V_{HIGH} \geq 1.4V$. Any level between these two values is indeterminate. These pins must not be left floating.

Table 1 VID Voltage Select Settings

VS2	VS1	VS0	V _{OUT}
0	0	0	3.3V
0	0	1	2.5V
0	1	0	1.8V
0	1	1	1.5V
1	0	0	1.25V
1	0	1	1.2V
1	1	0	0.8V
1	1	1	User Selectable

External Voltage Divider

As described above, the external voltage divider option is chosen by connecting the VS0, VS1, and VS2 pins to V_{IN} or logic “high”. The EP5368QI uses a separate feedback pin, V_{FB}, when using the external divider. V_{SENSE} must be connected to V_{OUT} as indicated in Figure 5.

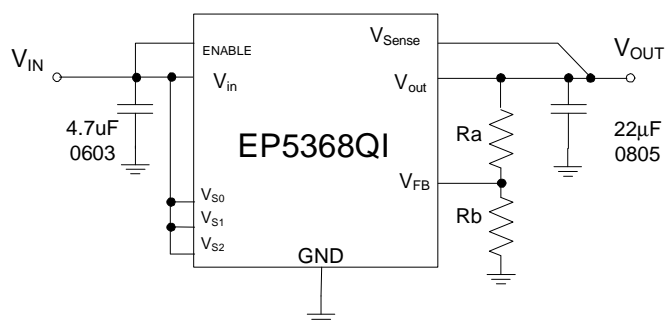


Figure 5: External Divider Application Circuit

The output voltage is selected by the following formula:

$$V_{OUT} = 0.603V \left(1 + \frac{R_a}{R_b} \right)$$

R_a must be chosen as 200kΩ to maintain loop gain. Then R_b is given as:

$$R_b = \frac{1.206 \times 10^5}{V_{OUT} - 0.603} \Omega$$

V_{OUT} can be programmed over the range of 0.603V to V_{IN}-0.4V.

Dynamically Adjustable Output

The EP5368QI is designed to allow for dynamic switching between the predefined VID voltage levels. The inter-voltage slew rate is optimized to prevent excess undershoot or overshoot as the output voltage levels transition. The slew rate is identical to the soft-start slew rate and is provided in the electrical characteristics table.

Dynamic transitioning between internal VID settings and the external divider is not allowed.

Input and Output Capacitors

The **input** capacitance requirement is 4.7µF 0603 MLCC. The input capacitor must be a X5R/X7R MLCC. Y5V or equivalent dielectric formulations lose capacitance with frequency, bias, and with temperature, and are not suitable for switch-mode DC-DC converter input filter applications.

The **output** capacitance requirement is approximately 20µF. Enpirion recommends a single 22µF 0805 MLCC. Ripple performance can be improved by using 2 x 10µF 0805 MLC capacitors.

As described in the Soft Start section, there is a limitation on the maximum bulk capacitance that can be placed on the output of this device. Please refer to that section for more details.

The output capacitor must be a X5R/X7R or equivalent MLCC. Y5V or equivalent dielectric formulations lose capacitance with frequency, bias, and temperature and are not suitable for switch-mode DC-DC converter output filter applications.

Please consult Enpirion Applications Support for other capacitor case size combinations.

Operation at 700mA Output Current

Operation at 700mA is supported by using the application circuit shown in Figure 6. The modification in the compensation is to ensure stability over the entire set of input and output voltage conditions.

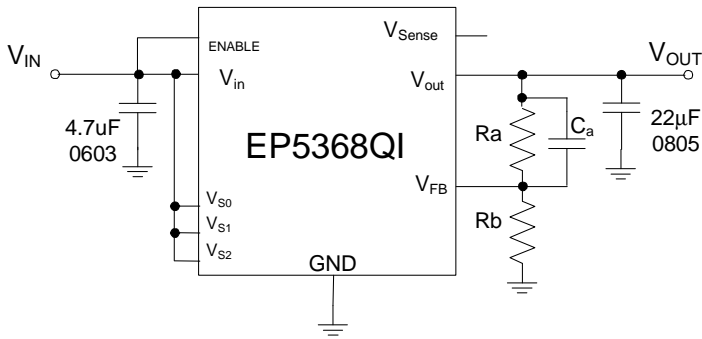


Figure 6: Applications Circuit for Operation at 700mA

- 1) $R_a = 249k\Omega$
- 2) $C_a = 15pF$ 0402 MLCC capacitor.
- 3) Then R_b is given as:

$$R_b = \frac{1.501 \times 10^5}{V_{OUT} - 0.603} \Omega$$

V_{OUT} can be programmed over the range of 0.603V to $V_{IN} - 0.4V$.

- 4) Do not connect the sense line.

NOTE: Stability cannot be assured if these guidelines are not followed.

For 700mA operation, use the following component values:

Recommended PCB Footprint

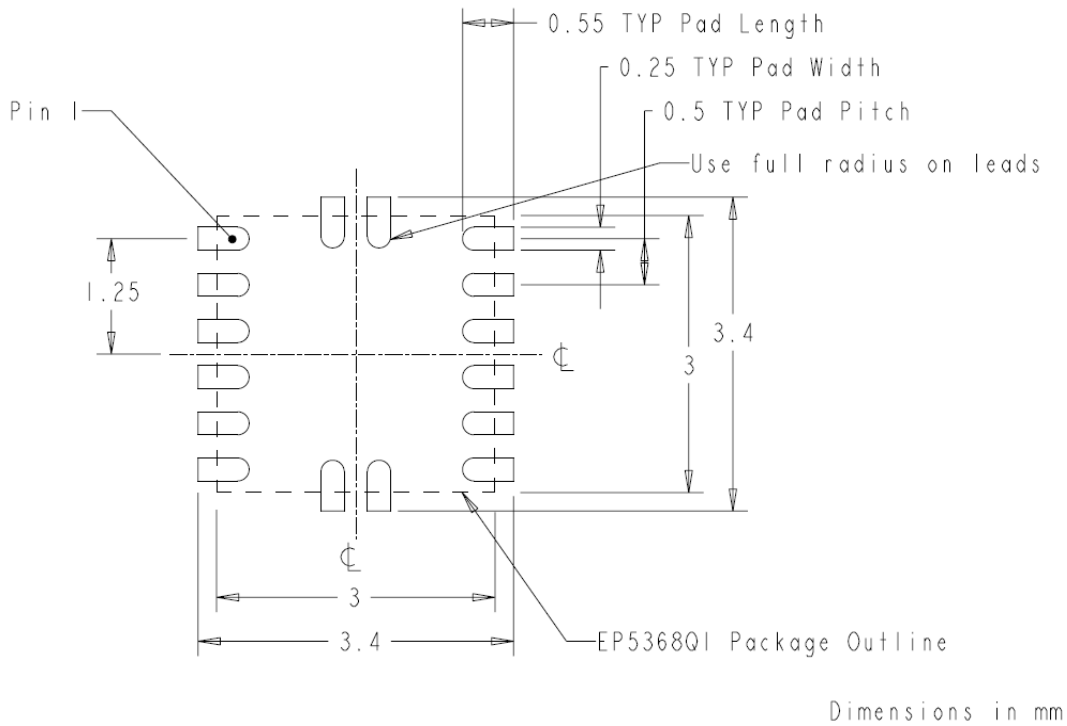


Figure 7: EP5368QI Package PCB Footprint

Package Dimensions

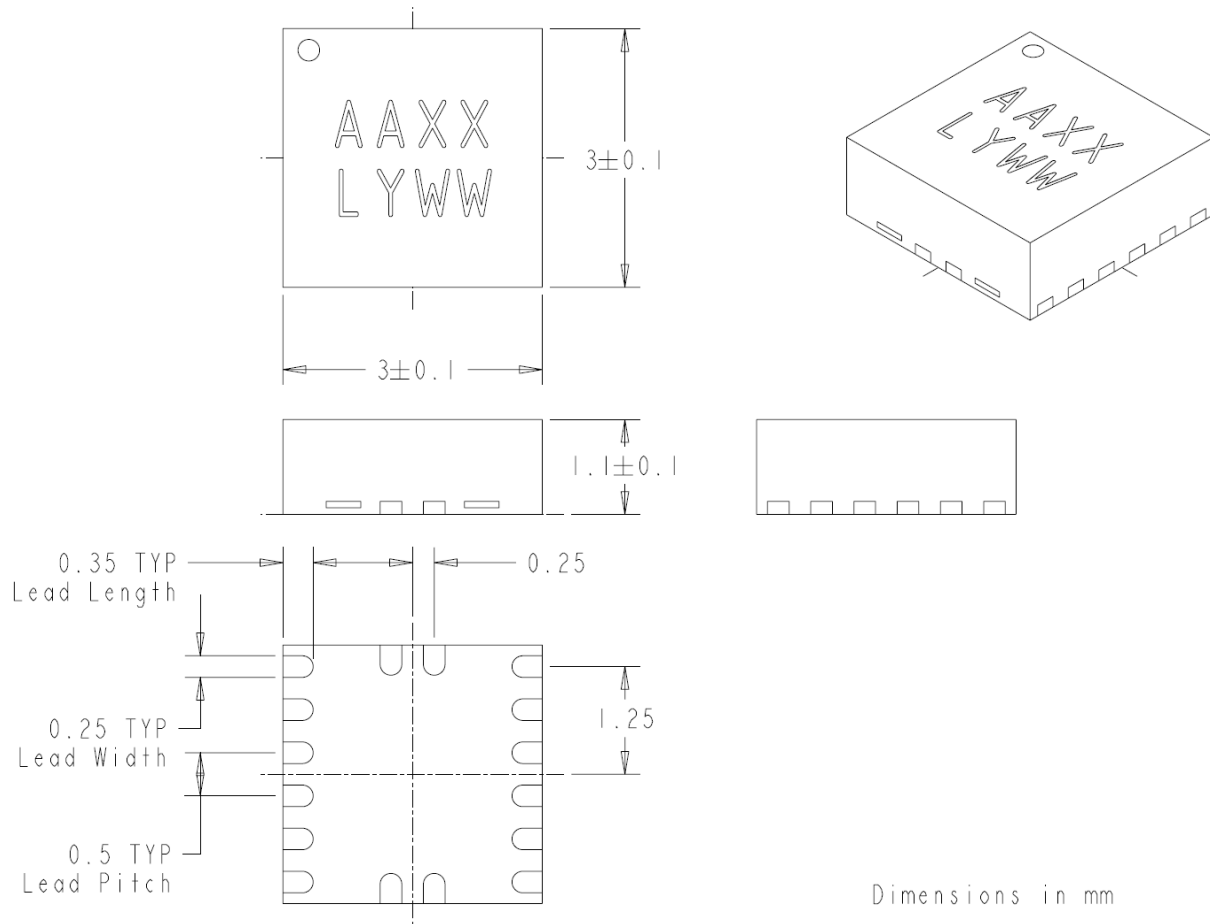


Figure 8: EP5368QI Package Dimensions

NOTE: for details on product marking, please refer to the product marking guide which can be found on the Enpirion Website WWW.ENPIRION.COM

Contact Information

Enpirion, Inc.
 Perryville III
 53 Frontage Road Suite 210
 Hampton, NJ 08827
 Phone: +1 908-894-6000
 Fax: +1 908-894-6090

Enpirion reserves the right to make changes in circuit design and/or specifications at any time without notice. Information furnished by Enpirion is believed to be accurate and reliable. Enpirion assumes no responsibility for its use or for infringement of patents or other third party rights, which may result from its use. Enpirion products are not authorized for use in nuclear control systems, as critical components in life support systems or equipment used in hazardous environment without the express written authority from Enpirion.