

(0.80 mm) .0315"

SEAF8 SERIES

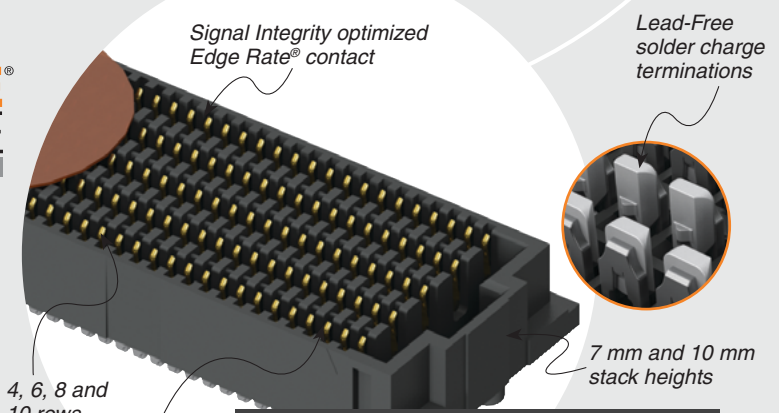
# ULTRA-HIGH DENSITY OPEN-PIN-FIELD

## SPECIFICATIONS

For complete specifications and recommended PCB layouts see [www.samtec.com?SEAF8](http://www.samtec.com?SEAF8)

- Insulator Material:**  
Black LCP
- Contact Material:**  
Copper Alloy
- Plating:**  
Au or Sn over 50 μ" (1.27 μm) Ni
- Operating Temp Range:**  
-55 °C to +125 °C
- Current Rating:**  
1.3 A per pin (10 adjacent pins powered)
- Working Voltage:**  
220 VAC
- RoHS Compliant:**  
Yes
- Lead-Free Solderable:**  
Yes

- Board Mates:**  
SEAM8
- Cable Mates:**  
ESCA
- Standoffs:**  
JSO



**HIGH-SPEED CHANNEL PERFORMANCE**

SEAM8/SEAF8 @ 7 mm Mated Stack Height

Rating based on Samtec reference channel. For full SI performance data visit [Samtec.com](http://Samtec.com) or contact [SIG@samtec.com](mailto:SIG@samtec.com)

<b>PAM4</b>
<b>56</b>
G b p s

## RECOGNITIONS

For complete scope of recognitions see [www.samtec.com/quality](http://www.samtec.com/quality)



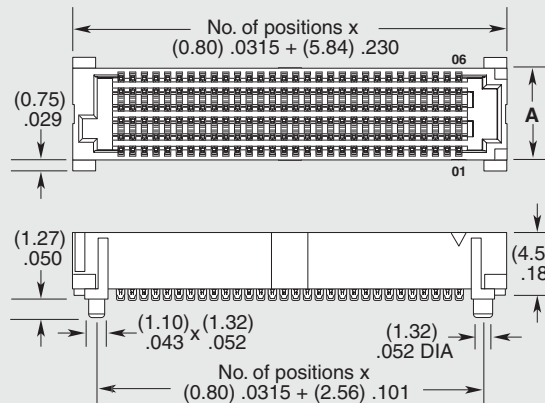
## ALSO AVAILABLE (MOQ Required)

- Other pin counts

<b>SEAF8</b>	<b>NO. PINS PER ROW</b>	<b>05.0</b>	<b>PLATING OPTION</b>	<b>NO. OF ROWS</b>	<b>SOLDER TYPE</b>	<b>K</b>
	<b>-10, -20, -30, -40, -50</b> (Standard sizes)		<b>-L</b> = 10 μ" (0.25 μm) Gold on contact area, Matte Tin on solder tail	<b>-04</b> = Four Rows <b>-06</b> = Six Rows <b>-08</b> = Eight Rows <b>-10</b> = Ten Rows	<b>-2</b> = Lead-Free Solder Charge	<b>-K</b> = Polyimide film Pick & Place Pad

MATED HEIGHT*		
SEAF8 LEAD STYLE	SEAM8 LEAD STYLE	
	-S02.0	-S05.0
<b>-05.0</b>	(7.00) .276	(10.00) .394

\*Processing conditions will affect mated height.



NO. OF ROWS	A
<b>-04</b>	(4.30) .169
<b>-06</b>	(6.30) .248
<b>-08</b>	(8.30) .327
<b>-10</b>	(10.30) .406

**Notes:**  
 Patent Pending  
 Tape & Reel packaging is standard.  
 Some sizes, styles and options are non-standard, non-returnable.

Due to technical progress, all designs, specifications and components are subject to change without notice.

[WWW.SAMTEC.COM](http://WWW.SAMTEC.COM)

All parts within this catalog are built to Samtec's specifications. Customer specific requirements must be approved by Samtec and identified in a Samtec customer-specific drawing to apply.

# Mouser Electronics

Authorized Distributor

Click to View Pricing, Inventory, Delivery & Lifecycle Information:

## Samtec:

[SEAF8-30-05.0-S-04-2-K](#) [SEAF8-20-05.0-S-04-2-K](#) [SEAF8-50-05.0-S-10-2-K](#) [SEAF8-20-05.0-S-06-2-K](#) [SEAF8-10-05.0-S-08-2-K](#) [SEAF8-40-05.0-S-06-2-K](#) [SEAF8-10-05.0-S-04-2-K](#) [SEAF8-20-05.0-S-08-2-K](#) [SEAF8-50-05.0-S-06-2-K](#)  
[SEAF8-40-05.0-S-08-2-K](#) [SEAF8-50-05.0-S-04-2-K](#) [SEAF8-40-05.0-S-04-2-K](#) [SEAF8-30-05.0-S-08-2-K](#) [SEAF8-20-05.0-S-10-2-K](#) [SEAF8-30-05.0-S-06-2-K](#) [SEAF8-30-05.0-S-10-2-K](#) [SEAF8-10-05.0-S-06-2-K](#) [SEAF8-10-05.0-S-10-2-K](#)  
[SEAF8-50-05.0-S-08-2-K](#) [SEAF8-20-1-S-10-2-RA-GP](#) [SEAF8-40-05.0-L-10-2-K](#) [SEAF8-30-1-S-10-2-RA](#) [SEAF8-30-1-S-10-2-RA-GP](#) [SEAF8-30-1-S-08-2-RA](#) [SEAF8-50-05.0-L-08-2-K](#) [SEAF8-30-05.0-L-04-2-K](#) [SEAF8-50-1-S-10-2-RA](#)  
[SEAF8-50-1-S-10-2-RA-GP](#) [SEAF8-40-1-S-10-2-RA](#) [SEAF8-20-05.0-L-04-2-K](#) [SEAF8-30-1-S-08-2-RA-GP](#) [SEAF8-40-1-S-10-2-RA-GP](#) [SEAF8-50-05.0-L-10-2-K](#) [SEAF8-40-1-S-08-2-RA-GP](#) [SEAF8-20-1-S-10-2-RA](#) [SEAF8-40-05.0-S-10-2-K](#) [SEAF8-10-05.0-L-10-2-K](#) [SEAF8-40-05.0-L-04-2-K](#) [SEAF8-30-05.0-L-08-2-K](#) [SEAF8-50-1-S-08-2-RA-GP](#)  
[SEAF8-20-1-S-08-2-RA](#) [SEAF8-20-1-S-08-2-RA-GP](#) [SEAF8-20-05.0-L-08-2-K](#) [SEAF8-50-1-S-08-2-RA](#) [SEAF8-10-05.0-L-04-2-K](#) [SEAF8-40-05.0-L-06-2-K](#) [SEAF8-40-1-S-08-2-RA](#)