

# Automotive & Industrial Grade Miniature Ceramic Base SMD Crystal



ABM11AIG



2.0 x 1.6 x 0.55 mm  
**RoHS/RoHS II Compliant**  
 MSL = N/A: Not Applicable

## Features

- AEC-Q200 Qualified
- Automotive Grade 1: -40°C to +125°C
- Automotive Grade 0: -40°C to +150°C (Available Upon Request)
- TS16949 Production Line Certified
- PPAP Available Upon Request
- Hermetically Seam-sealed Ceramic Package
- RoHS/RoHS II Compliant and Pb free

## Applications

- Infotainment Systems
- Keyless Entry & Startup
- GPS & Navigation
- Comfort control
- ADAS (Advanced Driver Assistance Systems)
- Vehicle to Vehicle Communication
- LiDAR (Light Detection and Ranging)
- In-vehicle Networking
- Powertrain & Drive Control
- Power Control & Conversion
- Industrial Control & Automation

## Electrical Specifications

Parameters	Min.	Typ.	Max.	Units	Notes
Frequency Range	16.000		60.000	MHz	
Operation Mode	Fundamental				
Operating Temperature <sup>[Note 1]</sup>	-40		+125	°C	Option "blank"; See options
	-40		+150		Option "V"; See options
Storage Temperature <sup>[Note 1]</sup>	-40		+125	°C	Option "blank, J, D, N"
	-40		+150		Option "V"
Frequency Tolerance @ +25°C	-50		+50	ppm	Option "blank"; See options
Frequency Stability over the Operating Temperature ( ref. to +25°C)	-100		+100	ppm	Option "blank"; See options
	-150		+150		Option "R"; See options
Equivalent series resistance (R1)			150	Ω	16.000 – 19.999 MHz
			100		20.000 – 23.999 MHz
			80		24.000 – 25.999 MHz
			60		26.000 – 40.999 MHz
			50		41.000 – 60.000 MHz
Shunt capacitance (C0)			2.0	pF	
Load capacitance (CL)	10			pF	Option "blank"; See options
Drive Level		10	100	μW	
Aging	-2		+2	ppm	@25°C ± 3°C First year
Insulation Resistance	500			MΩ	@100 Vdc ± 15V

Note 1: Operating temperature range option -40°C to +150°C only available in select frequencies and electrical performance options. Please contact Abracon for availability.



5101 Hidden Creek Ln Spicewood TX 78669  
 Phone: 512-371-6159 | Fax: 512-351-8858  
 For terms and conditions of sales, please visit:  
[www.abracon.com](http://www.abracon.com)

REVISED: 06-13-19

ABRACON IS  
 ISO9001-2015  
 CERTIFIED

# Automotive & Industrial Grade Miniature Ceramic Base SMD Crystal



ABM11AIG



2.0 x 1.6 x 0.55 mm  
**RoHS/RoHS II Compliant**  
 MSL = N/A: Not Applicable

## Options and Part Identification (left blank if standard)

ABM11AIG- [ ] MHz - [ ] - [ ] - [ ] [ ] [ ] - [ ]

**Frequency in MHz**  
 Please specify the frequency in MHz. (e.g. 16.384MHz)

**Load Capacitance (pF)**  
 Blank: 10pF  
 If not standard, please specify CL in pF or S for series

**Custom ESR if other than standard**  
 R □: Specify a value in Ω (e.g.: R80)

**Packaging**  
 Blank: Bulk  
 T: 1k pcs / reel  
 T3: 3k pcs / reel

**Operating Temp.**  
 Blank: -40°C to +125°C  
 N: -30°C to +85°C  
 D: -40°C to +85°C  
 J: -40°C to +105°C  
 V: -40°C to +150°C (\*)

(\*) Contact Abracon for Availability

**Freq. Tolerance**  
 Blank: ± 50 ppm  
 4: ± 30 ppm  
 3: ± 25 ppm  
 2: ± 20 ppm  
 7: ± 15 ppm  
 1: ± 10 ppm

**Freq. Stability**  
 Blank: ± 100 ppm  
 R: ± 150 ppm  
 Z: ± 50 ppm  
 P: ± 45 ppm (\*)  
 F: ± 40 ppm (\*)  
 H: ± 35 ppm (\*)  
 Y: ± 30 ppm (\*)  
 W: ± 25 ppm (\*)  
 X: ± 20 ppm (\*)  
 G: ± 15 ppm (\*)

(\*) Contact Abracon for Availability



5101 Hidden Creek Ln Spicewood TX 78669  
 Phone: 512-371-6159 | Fax: 512-351-8858  
 For terms and conditions of sales, please visit:  
[www.abracon.com](http://www.abracon.com)

REVISED: 06-13-19

ABRACON IS  
 ISO9001-2015  
 CERTIFIED

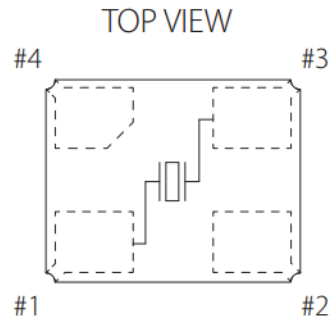
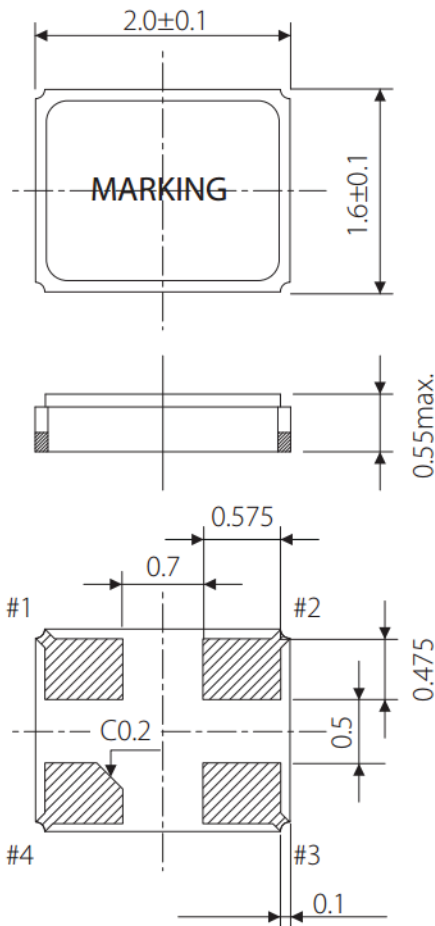


ABM11AIG



2.0 x 1.6 x 0.55 mm  
 RoHS/RoHS II Compliant  
 MSL = N/A: Not Applicable

## Mechanical Dimensions

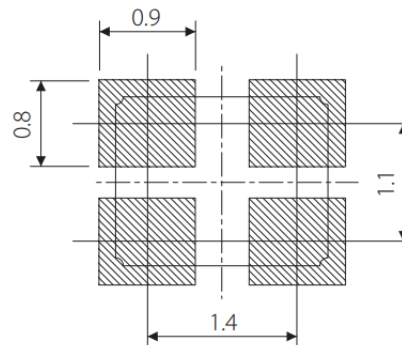


Pin #1: Crystal  
 Pin #3: Crystal

Pin #2: GND (\*)  
 Pin #4: GND (\*)

(\*) Electrically connected to lid

### Recommended Land Pattern



**Note:** Due to availability of raw materials, this part may be manufactured with the chamfer on pin 1 or pin 4. Be advised that this does not affect the electrical characteristics of the crystal in any way.

Dimensions: mm

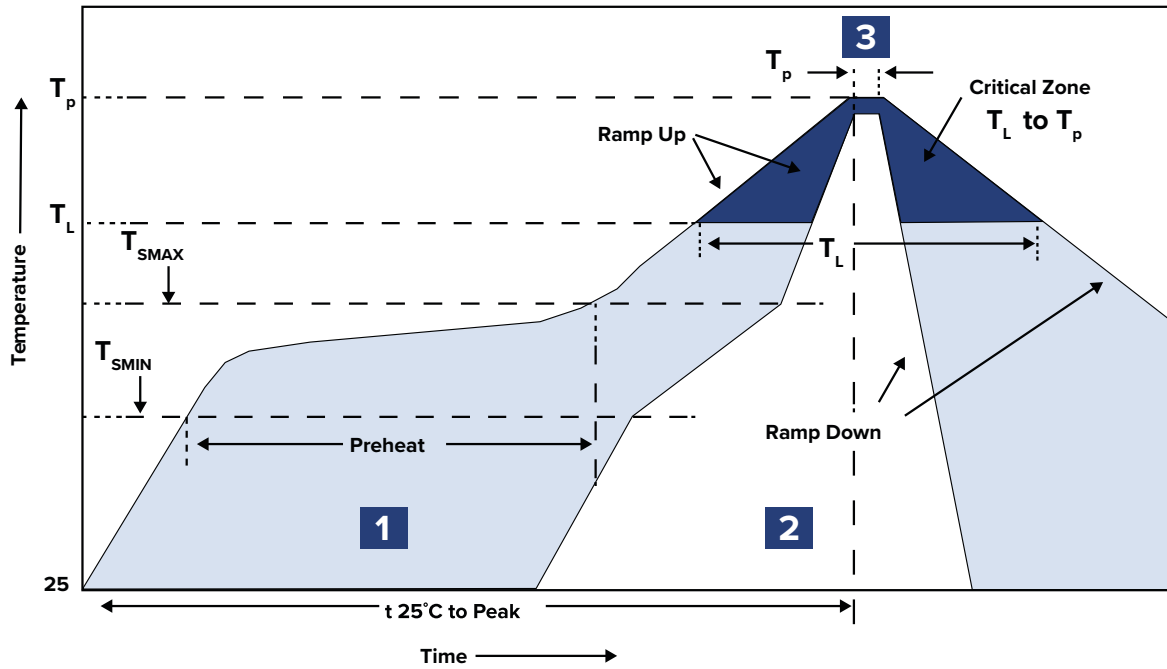


ABM11AIG



2.0 x 1.6 x 0.55 mm  
 RoHS/RoHS II Compliant  
 MSL = N/A: Not Applicable

## Reflow Profile



Zone	Description	Temperature	Time
1	Preheat / Soak	$T_{SMIN} \sim T_{SMAX}$ 150°C ~ 180°C	60 ~ 120 sec.
2	Reflow	$T_L$ 230°C	30 ~ 40 sec.
3	Peak heat	$T_P$ 260°C±5°C	10 sec. MAX



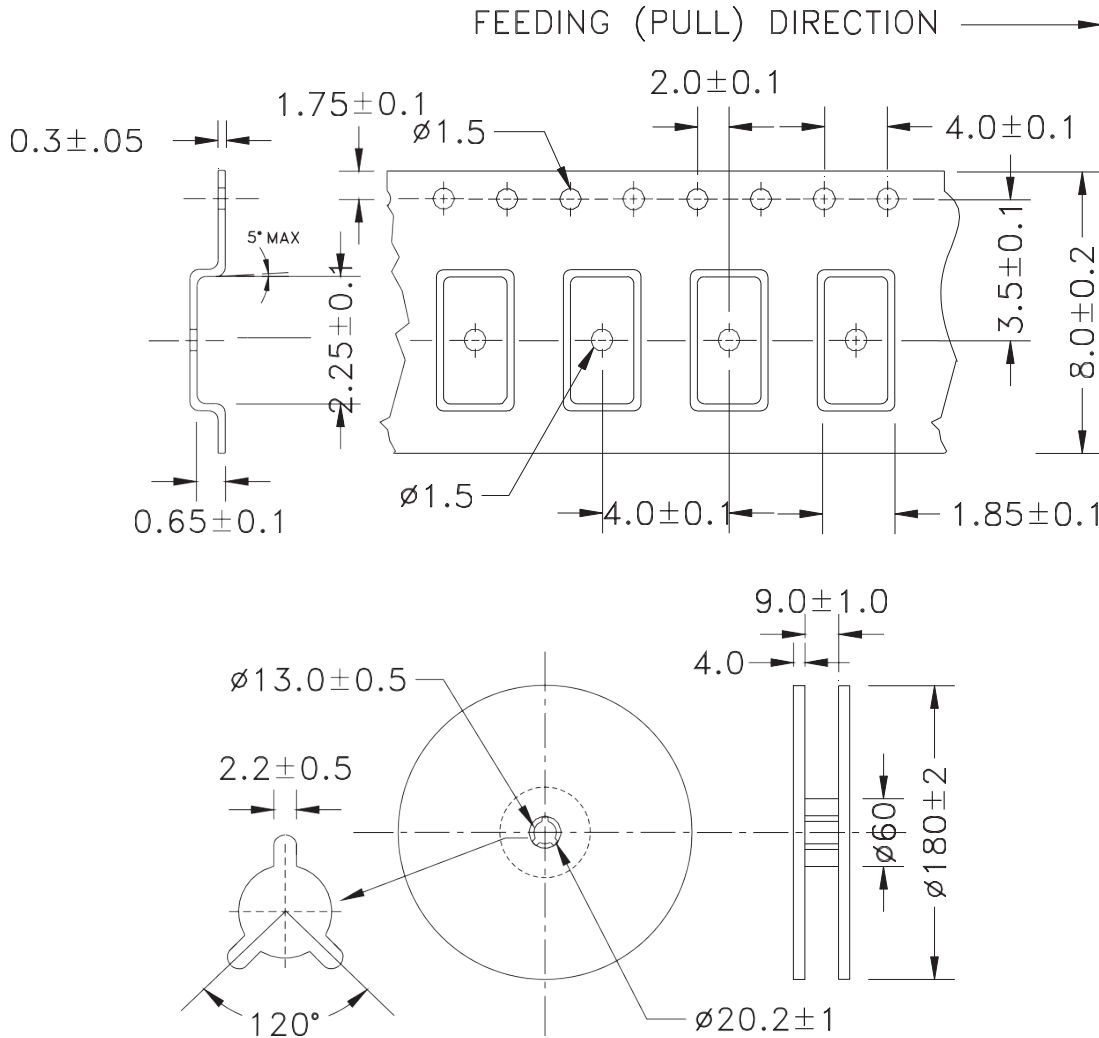
ABM11AIG



2.0 x 1.6 x 0.55 mm  
 RoHS/RoHS II Compliant  
 MSL = N/A: Not Applicable

## Packaging

Tape and Reel:  
 T: 1,000pcs/reel  
 T3: 3,000pcs/reel



Dimensions: mm

**ATTENTION:** Abracon LLC's products are COTS – Commercial-Off-The-Shelf products; suitable for Commercial, Industrial and, where designated, Automotive Applications. Abracon's products are not specifically designed for Military, Aviation, Aerospace, Life-dependent Medical applications or any application requiring high reliability where component failure could result in loss of life and/or property. For applications requiring high reliability and/or presenting an extreme operating environment, written consent and authorization from Abracon LLC is required. Please contact Abracon LLC for more information.

# Mouser Electronics

Authorized Distributor

Click to View Pricing, Inventory, Delivery & Lifecycle Information:

## ABRACON:

[ABM11AIG-30.000MHZ-4Z-T3](#) [ABM11AIG-40.000MHZ-4Z-T3](#) [ABM11AIG-20.000MHZ-4Z-T3](#) [ABM11AIG-24.576MHZ-4-T3](#) [ABM11AIG-25.000MHZ-4-T3](#) [ABM11AIG-24.576MHZ-J4Z-T3](#) [ABM11AIG-26.000MHZ-4Z-T3](#) [ABM11AIG-25.000MHZ-J4Z-T3](#) [ABM11AIG-32.000MHZ-J4Z-T3](#) [ABM11AIG-30.000MHZ-J4Z-T3](#) [ABM11AIG-24.000MHZ-J4Z-T3](#) [ABM11AIG-20.000MHZ-J4Z-T3](#) [ABM11AIG-26.000MHZ-J4Z-T3](#) [ABM11AIG-27.000MHZ-J4Z-T3](#) [ABM11AIG-40.000MHZ-J4Z-T3](#) [ABM11AIG-27.000MHZ-4-T3](#) [ABM11AIG-48.000MHZ-4Z-T3](#) [ABM11AIG-19.200MHZ-J4Z-T3](#) [ABM11AIG-32.000MHZ-4-T3](#) [ABM11AIG-19.200MHZ-4-T3](#) [ABM11AIG-26.000MHZ-4-T3](#) [ABM11AIG-24.000MHZ-4Z-T3](#) [ABM11AIG-20.000MHZ-4-T3](#) [ABM11AIG-25.000MHZ-4Z-T3](#) [ABM11AIG-32.000MHZ-4Z-T3](#) [ABM11AIG-27.000MHZ-4Z-T3](#) [ABM11AIG-30.000MHZ-4-T3](#) [ABM11AIG-27.120HZ-4-T3](#) [ABM11AIG-27.120HZ-4Z-T3](#) [ABM11AIG-24.000MHZ-4-T3](#) [ABM11AIG-19.200MHZ-4Z-T3](#) [ABM11AIG-48.000MHZ-4-T3](#) [ABM11AIG-48.000MHZ-J4Z-T3](#) [ABM11AIG-24.576MHZ-4Z-T3](#) [ABM11AIG-27.120HZ-J4Z-T3](#) [ABM11AIG-40.000MHZ-4-T3](#) [ABM11AIG-24.000MHz-2Z-T](#) [ABM11AIG-25.000MHz-6-2-T](#) [ABM11AIG-26.000MHz-1-T](#) [ABM11AIG-27.000MHz-1-T](#) [ABM11AIG-32.000MHz-4Z-T](#) [ABM11AIG-48.000MHz-1-T](#) [ABM11AIG-48.000MHz-7-4Z-T](#) [ABM11AIG-20.000MHZ-8-1Z-T](#) [ABM11AIG-27.120MHZ-6-4H-T](#) [ABM11AIG-48.000MHZ-4-1Z-T](#) [ABM11AIG-24.576MHZ-1Z-T](#) [ABM11AIG-25.000MHZ-4-1F-T](#) [ABM11AIG-24.000MHZ-3Z-T](#) [ABM11AIG-50.000MHZ-4-1Z-T](#) [ABM11AIG-32.000MHZ-4-1Z-T](#) [ABM11AIG-27.000MHZ-6-4H-T](#) [ABM11AIG-16.384MHZ-8-1Y-T](#) [ABM11AIG-27.120MHZ-3Z-T](#) [ABM11AIG-27.000MHZ-4-1Z-T](#) [ABM11AIG-40.000MHZ-4-1Z-T](#) [ABM11AIG-40.000MHZ-8-1W-T](#) [ABM11AIG-48.000MHZ-1Z-T](#) [ABM11AIG-32.000MHZ-6-Z-T](#) [ABM11AIG-50.000MHZ-8-1Z-T](#) [ABM11AIG-16.000MHZ-8-1Z-T](#)