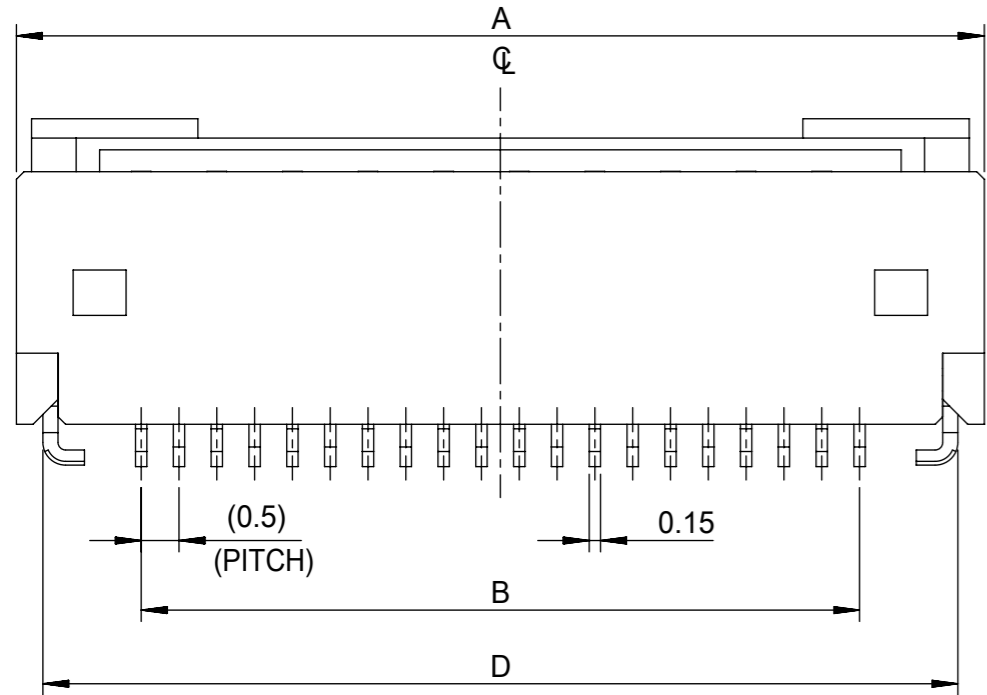
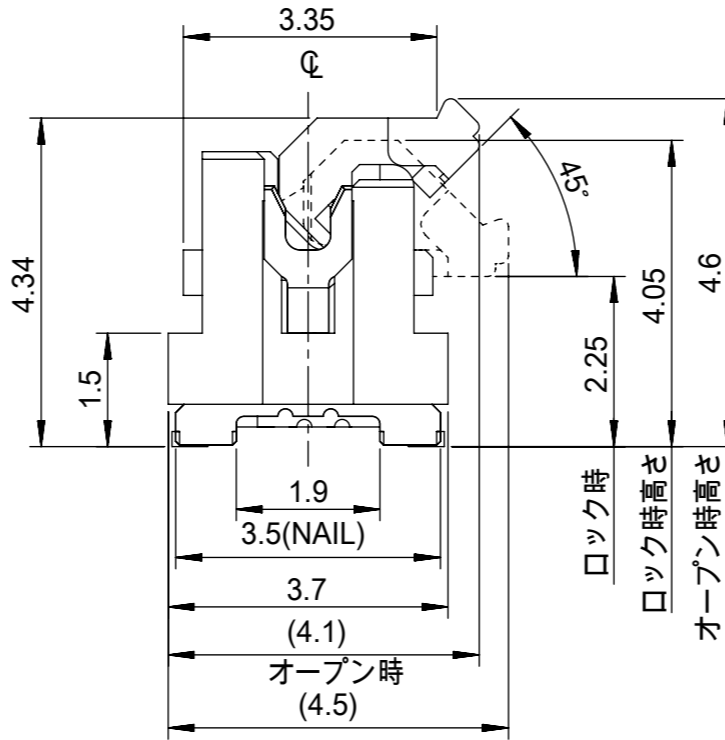


断面図(参考)



注記 NOTES

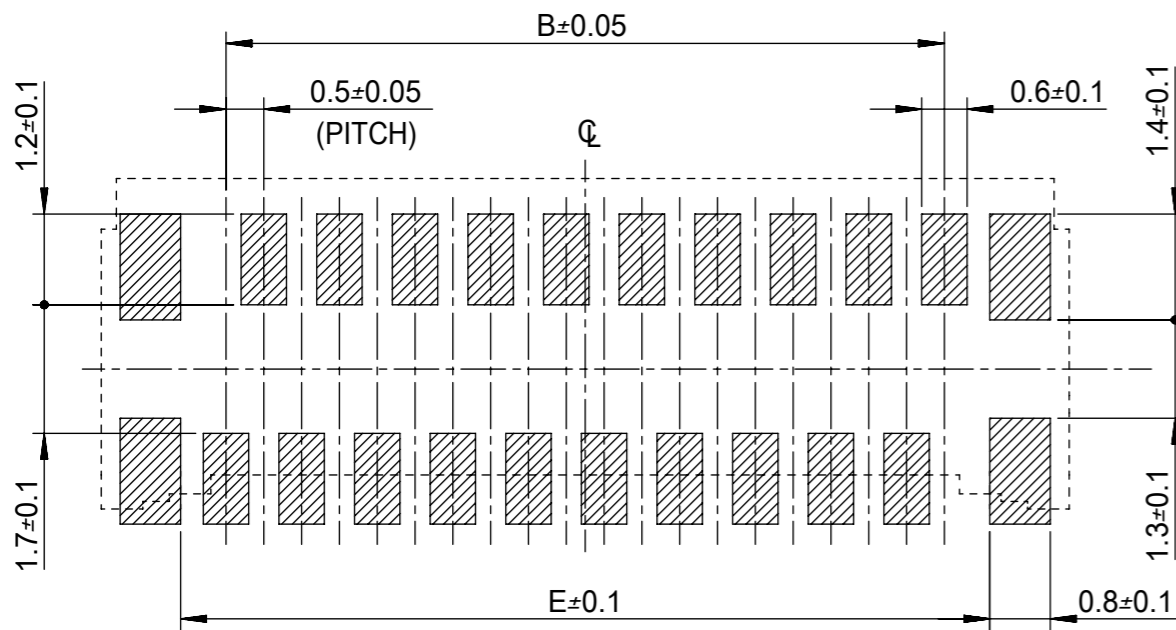
1. 使用材料 MATERIAL
 ハウジング : 液晶ポリマー ガラス充填, UL94V-0(白)
 HOUSING LIQUID CRYSTAL POLYMER GLASS FILLED, UL94V-0 (WHITE)
 アクチュエータ : ポリアミド 9T, ガラス充填, UL94V-0(茶)
 ACTUATOR POLYAMIDE 9T, GLASS FILLED, UL94V-0 (BROWN)
 ターミナル : 銅合金(t=0.15)
 TERMINAL COPPER ALLOY
 金具 : 銅合金(t=0.2)
 FITTING NAIL COPPER ALLOY
 2. めっき仕様 PLATING
 ターミナル TERMINAL
 ニッケル下地錫ビスマスめっき
 錫ビスマスめっき(1.0μm以上)
 ニッケルめっき(1.0μm以上)
 TIN BISMUTH(SnBi) OVER NICKEL(Ni) PLATING.
 TIN BISMUTH(SnBi) PLATING (1.0 MICROMETER MINIMUM)
 NICKEL PLATING (1.0 MICROMETER MINIMUM)
 金具 FITTING NAIL
 ニッケル下地錫めっき
 錫めっき(1.0μm以上)
 ニッケルめっき(1.0μm以上)
 TIN(Sn) OVER NICKEL(Ni) PLATING.
 TIN PLATING (1.0 MICROMETER MINIMUM)
 NICKEL PLATING (1.0 MICROMETER MINIMUM)
 3. テールと金具を併せた平坦度は 0.1ミリメートル以下
 TAILS AND NAILS COPLANARITY TO BE 0.1 MAX.
 4. ELV及びRoHS適合品
 ELV AND RoHS COMPLIANT
- △ R0.3は、FPC導体部にかからないこと。
 R0.3 MUST NOT BE OVERLAPPED TO PATTERN OF FPC.

8	30.7	32.1	32.4	29.5	32.8	5019516000	60
	25.7	27.1	27.4	24.5	27.8	5019515000	50
	23.2	24.6	24.9	22.0	25.3	5019514500	45
	20.7	22.1	22.4	19.5	22.8	5019514000	40
	16.7	18.1	18.4	15.5	18.8	5019513200	32
	15.7	17.1	17.4	14.5	17.8	5019513000	30
	12.7	14.1	14.4	11.5	14.8	5019512400	24
	11.7	13.1	13.4	10.5	13.8	5019512200	22
F	E	D	C	B	A	EMBOSSED PACKAGE オーダー番号 ORDER NO.	CIRCUITS

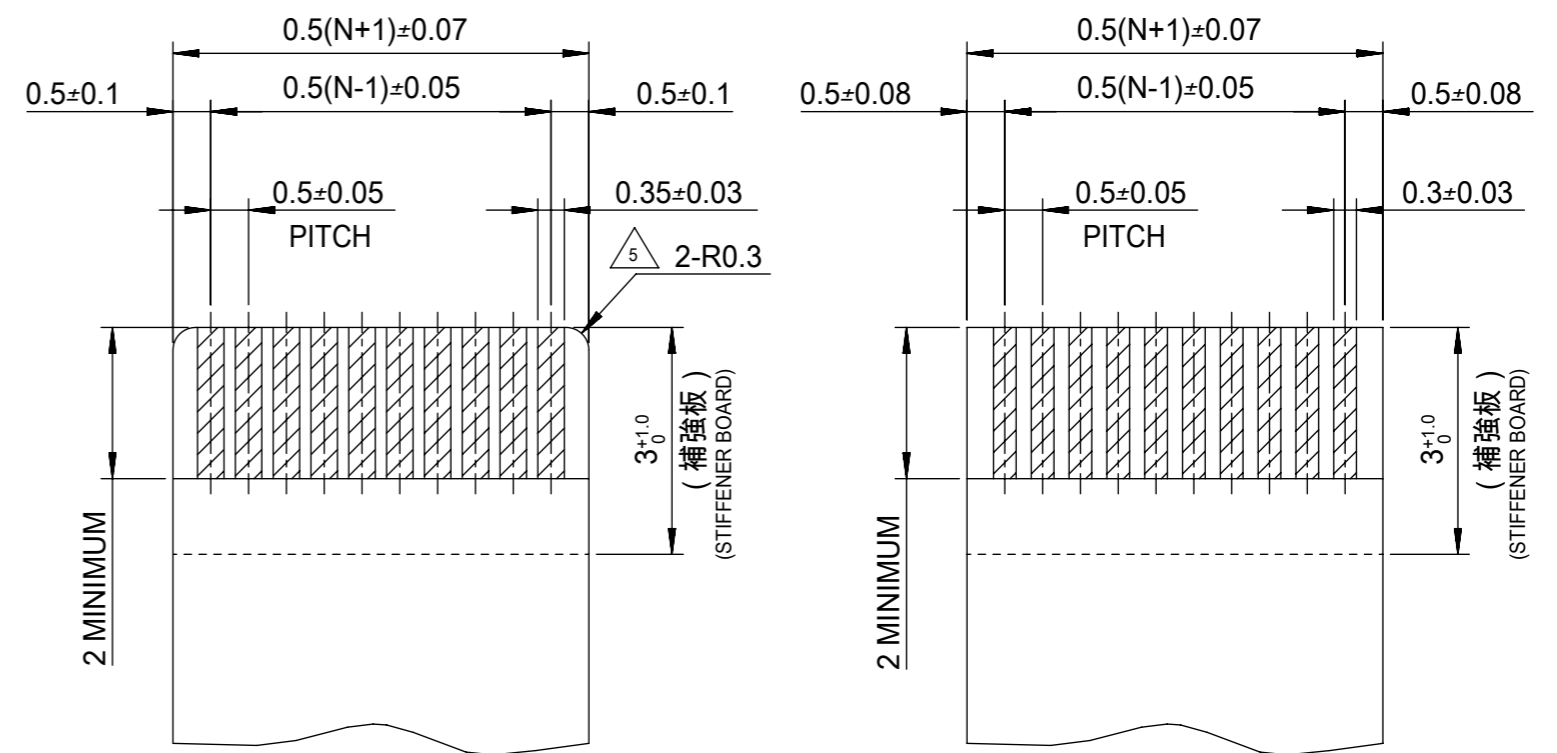
CONNECTOR SERIES NO. 501951-**09

THIS DRAWING CONTAINS INFORMATION THAT IS PROPRIETARY TO MOLEX ELECTRONIC TECHNOLOGIES, LLC AND SHOULD NOT BE USED WITHOUT WRITTEN PERMISSION		CURRENT REV DESC: REVISED		molex	
DIMENSION UNITS	SCALE	EC NO: 637653			
mm	10:1	DRWN: TNAKAGAWA01 2020/05/15		0.5 FPC CONN. HSG ASSY EASY ON / STRAIGHT (TIN-BISMUTH)	
GENERAL TOLERANCES (UNLESS SPECIFIED)		CHK'D: HSHIMOYAMA 2020/05/15			
ANGULAR TOL ± 1.0°		APPR: SHOSHIKAWA 2020/05/15		PRODUCT CUSTOMER DRAWING	
4 PLACES ± 0.2		INITIAL REVISION:		DOCUMENT NUMBER	
3 PLACES ± 0.25		DRWN: TRSUZUKI 2005/12/05		SD-501951-001	
2 PLACES ± 0.3		APPR: HHIRATA 2005/12/05		DOC TYPE DOC PART REVISION	
1 PLACE ± 0.05		DRAFT WHERE APPLICABLE MUST REMAIN WITHIN DIMENSIONS		PSD 001 D	
0 PLACES ±		THIRD ANGLE PROJECTION		MATERIAL NUMBER	
ANGULAR ± 1°		DRAWING		CUSTOMER	
		A3-SIZE		GENERAL MARKET	
		SERIES		SHEET NUMBER	
		501951		1 OF 2	

GENERAL TOLERANCES (UNLESS SPECIFIED)	
10 UNDER	±0.2
10 OVER 30 UNDER	±0.25
30 OVER	±0.3
ANGULAR	±1°



参考基板レイアウト (マウント面)
P.C.BOARD PATTERN DIMENSION(REF.)
(MOUNT AREA)



適合FPC推奨寸法
APPLICABLE FPC
RECOMMENDED DIMENSION
(仕上がり厚さ : 0.3±0.03)
(THICKNESS : 0.3±0.03)

N : 極数
N : CIRCUITS

適合FFC推奨寸法
APPLICABLE FFC
RECOMMENDED DIMENSION
(仕上がり厚さ : 0.3±0.03)
(THICKNESS : 0.3±0.03)

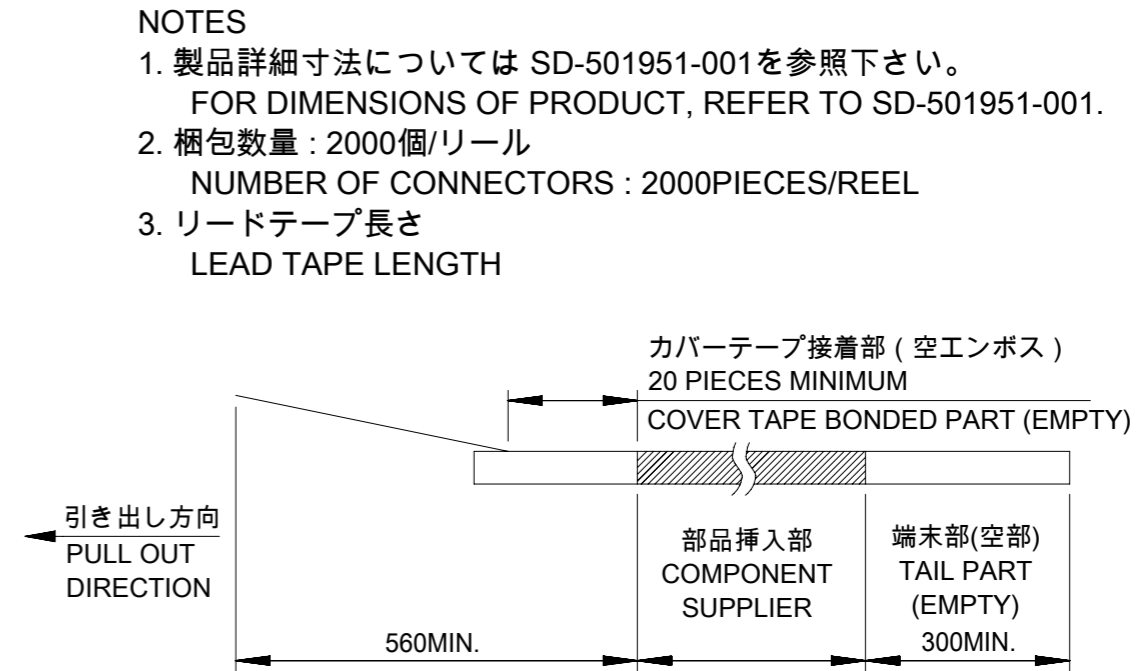
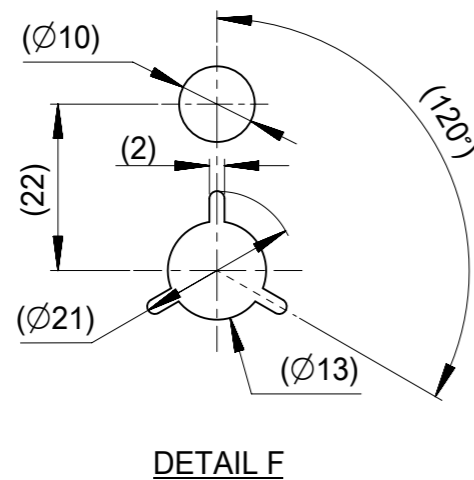
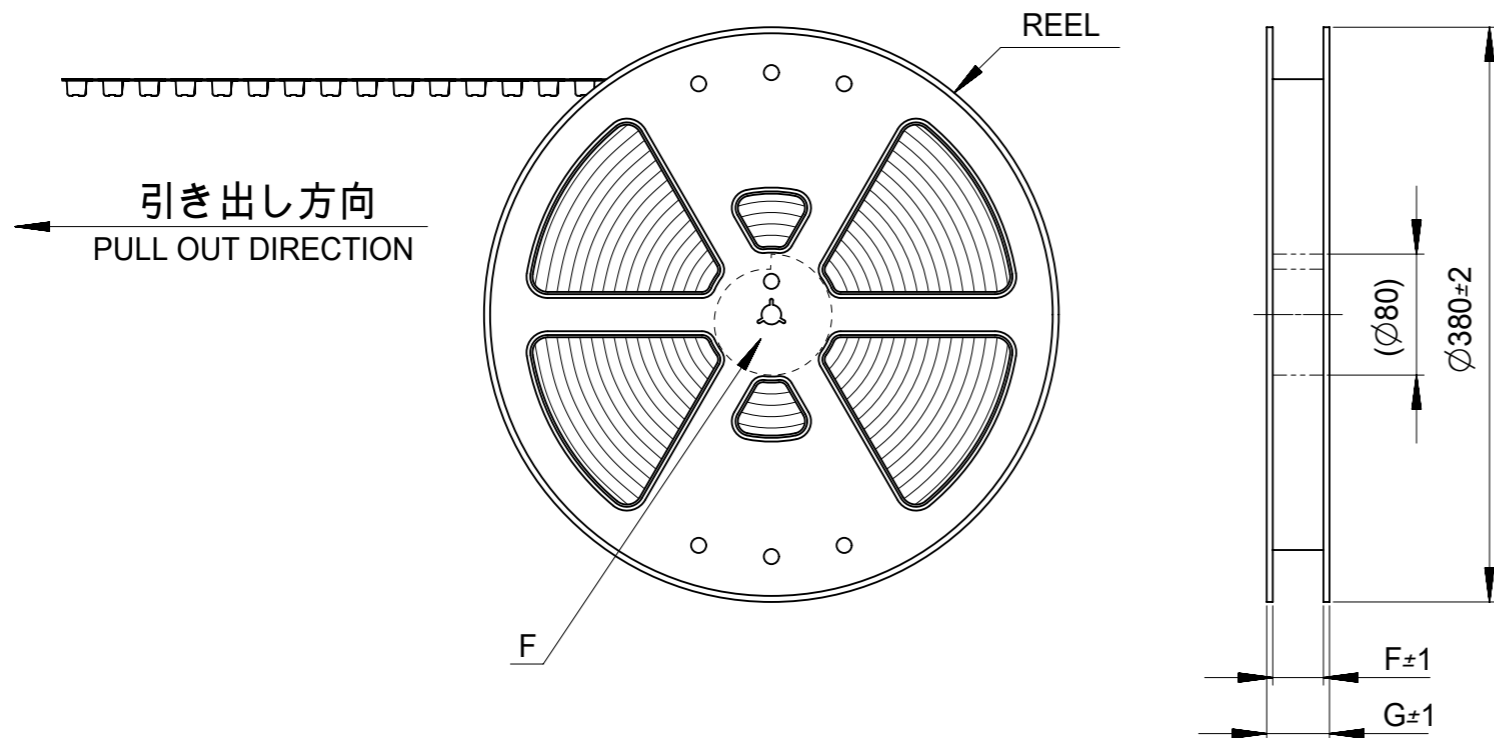
N : 極数
N : CIRCUITS

FPCについて：
打抜き方向は導体側から補強板側を推奨致します。
補強フィルム材質はポリイミドを推奨致します。
接着剤は熱硬化接着剤を推奨致します。

ABOUT FPC:
RECOMMENDED PUNCHER DIRECTION:
FROM CONDUCTOR SIDE TO STIFFENER BOARD SIDE.
RECOMMENDED MATERIAL:
STIFFENER FILM:POLYIMIDE
BONDING AGENT:THERMOSETTING BONDING AGENT

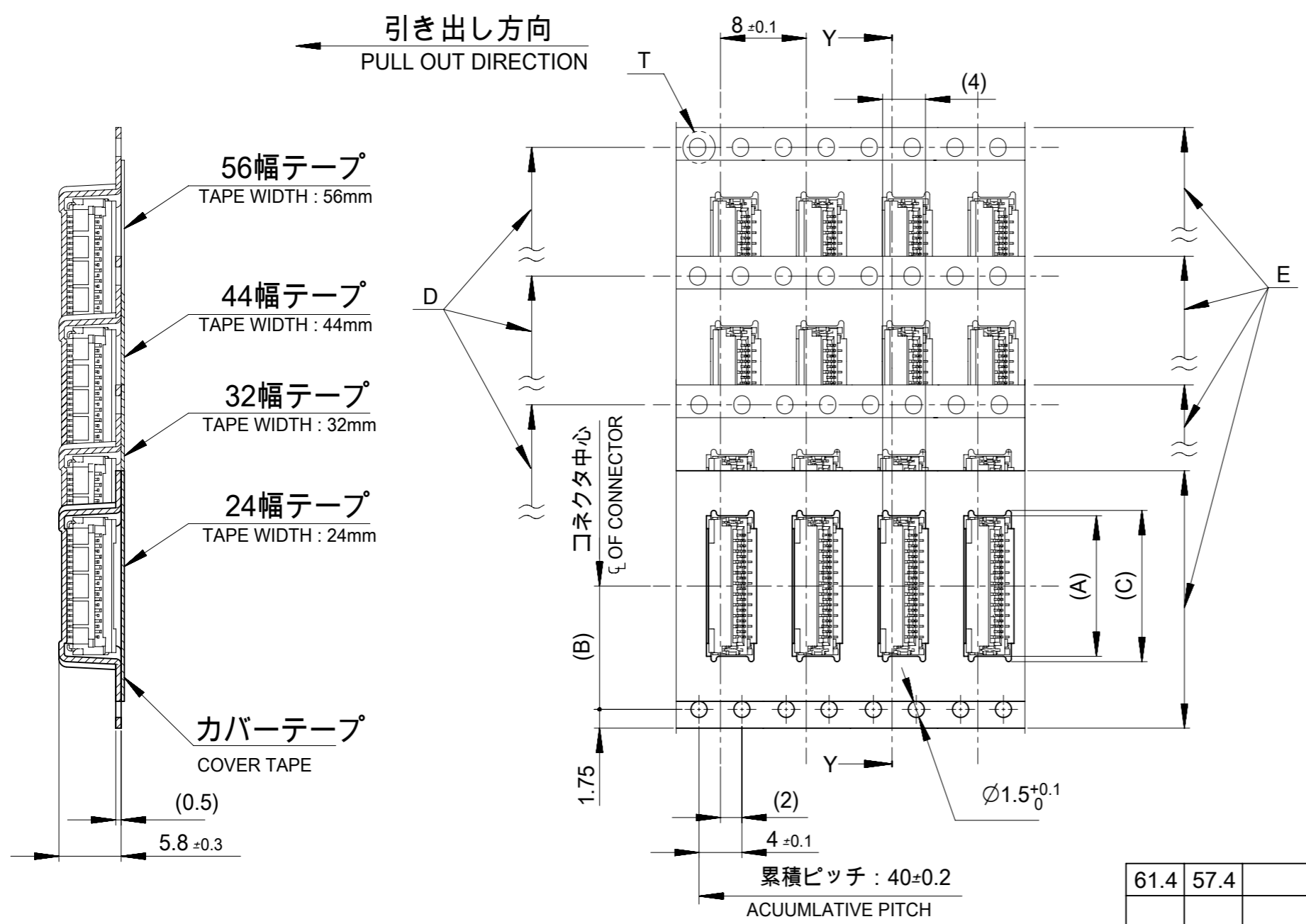
THIS DRAWING CONTAINS INFORMATION THAT IS PROPRIETARY TO MOLEX ELECTRONIC TECHNOLOGIES, LLC AND SHOULD NOT BE USED WITHOUT WRITTEN PERMISSION

DIMENSION UNITS	SCALE	CURRENT REV DESC: REVISED	
mm	10:1		
GENERAL TOLERANCES (UNLESS SPECIFIED)		molex 0.5 FPC CONN. HSG ASSY EASY ON / STRAIGHT (TIN-BISMUTH) PRODUCT CUSTOMER DRAWING	
ANGULAR TOL ± 1.0°			
4 PLACES ± 0.2	EC NO: 637653		
3 PLACES ± 0.25	DRWN: TNAKAGAWA01 2020/05/15		
2 PLACES ± 0.3	CHK'D: HSHIMUYAMA 2020/05/15		
1 PLACE ± 0.05	APPR: SHOSHIKAWA 2020/05/15	DOCUMENT NUMBER	
0 PLACES ±	INITIAL REVISION:	SD-501951-001	
DRAFT WHERE APPLICABLE MUST REMAIN WITHIN DIMENSIONS		DRWN: TRSUZUKI 2005/12/05	DOC TYPE
THIRD ANGLE PROJECTION		APPR: HHIRATA 2005/12/05	DOC PART
DRAWING		PSD	
SERIES		001	
MATERIAL NUMBER		D	
CUSTOMER		REVISION	
SEE SHEET 1		GENERAL MARKET	
A3-SIZE		SHEET NUMBER	
501951		2 OF 2	

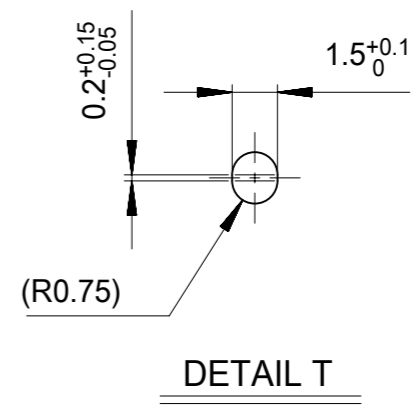


- NOTES
- 製品詳細寸法については SD-501951-001を参照下さい。
FOR DIMENSIONS OF PRODUCT, REFER TO SD-501951-001.
 - 梱包数量：2000個/リール
NUMBER OF CONNECTORS：2000PIECES/REEL
 - リードテープ長さ
LEAD TAPE LENGTH
 - カバーテープの剥離強度については、IEC60286-3に準拠。
COVER TAPE PEEL FORCE IS DEFINED BY IEC60286-3.
 - 材料 MATERIAL
 キャリアテープ：ポリスチレン
 CARRIER TAPE：POLYSTYRENE
 カバーテープ：ポリエチレンテレフタレート、ポリエチレン
 COVER TAPE：POLYETHYLENE TEREPHTHALATE , POLYETHYLENE
 リール：ポリスチレン<リサイクル材を含む>
 REEL：POLYSTYRENE<RECYCLE MATERIAL CONTAINED>
 - ELV及びRoHS適合品
ELV AND RoHS COMPLIANT

THIS DRAWING CONTAINS INFORMATION THAT IS PROPRIETARY TO MOLEX ELECTRONIC TECHNOLOGIES, LLC AND SHOULD NOT BE USED WITHOUT WRITTEN PERMISSION									
DIMENSION UNITS		SCALE		CURRENT REV DESC:				molex	
mm		1:1							
GENERAL TOLERANCES (UNLESS SPECIFIED)				EC NO: 615451				0.5 FPC CONN. HSG ASSY	
ANGULAR TOL ± 1.0 °				DRWN: JASANUMA 2019/04/11				E/O STRAIGHT EMBSTP PKG (TIN-BISMUTH)	
4 PLACES ± 0.25				CHK'D: RTAKEUCHI 2019/04/12					
3 PLACES ± 0.25				APPR: RTAKEUCHI 2019/04/12				PRODUCT CUSTOMER DRAWING	
2 PLACES ± 0.25				INITIAL REVISION:				DOCUMENT NUMBER	
1 PLACE ± 0.25				DRWN: TRSUZUKI 2005/12/05				SD-501951-002	
0 PLACES ± 0.25				APPR: HHIRATA 2005/12/05				PSD 001 E	
DRAFT WHERE APPLICABLE MUST REMAIN WITHIN DIMENSIONS		THIRD ANGLE PROJECTION		DRAWING		SERIES		MATERIAL NUMBER	
				A3-SIZE		501951		SEE CHART	
						CUSTOMER		GENERAL	
								SHEET NUMBER	
								1 OF 2	



SECTION Y-Y



61.4	57.4	56±0.3	52.4	34.1	26.2	33.1	5019516000	60
49.4	45.4	44±0.3	40.4	29.1	20.2	28.1	5019515000	50
				26.6		25.6	5019514500	45
37.4	33.4	32±0.3	28.4	24.1	14.2	23.1	5019514000	40
				20.1		19.1	5019513200	32
				19.1		18.1	5019513000	30
29.4	25.4	24±0.3	—	15.1	11.5	15.1	5019512400	24
						14.1	5019512200	22
G	F	E CARRIER TAPE WIDTH	D	(C)	(B)	(A)	EMBOSSED PACKAGE ORDER NO.	CIRCUITS

THIS DRAWING CONTAINS INFORMATION THAT IS PROPRIETARY TO MOLEX ELECTRONIC TECHNOLOGIES, LLC AND SHOULD NOT BE USED WITHOUT WRITTEN PERMISSION

DIMENSION UNITS mm	SCALE 1:1	CURRENT REV DESC:			molex		
GENERAL TOLERANCES (UNLESS SPECIFIED)		EC NO: 615451					
ANGULAR TOL	± 1.0 °	DRWN: JASANUMA 2019/04/11			PRODUCT CUSTOMER DRAWING		
4 PLACES	± 0.25	CHK'D: RTAKEUCHI 2019/04/12			DOCUMENT NUMBER		
3 PLACES	± 0.25	APPR: RTAKEUCHI 2019/04/12			SD-501951-002		
2 PLACES	± 0.25	INITIAL REVISION:			DOC TYPE	DOC PART	REVISION
1 PLACE	± 0.25	DRWN: TRSUZUKI 2005/12/05			PSD	001	E
0 PLACES	± 0.25	APPR: HHIRATA 2005/12/05			MATERIAL NUMBER	CUSTOMER	SHEET NUMBER
DRAFT WHERE APPLICABLE MUST REMAIN WITHIN DIMENSIONS		THIRD ANGLE PROJECTION	DRAWING	SERIES	SEE CHART	GENERAL	2 OF 2