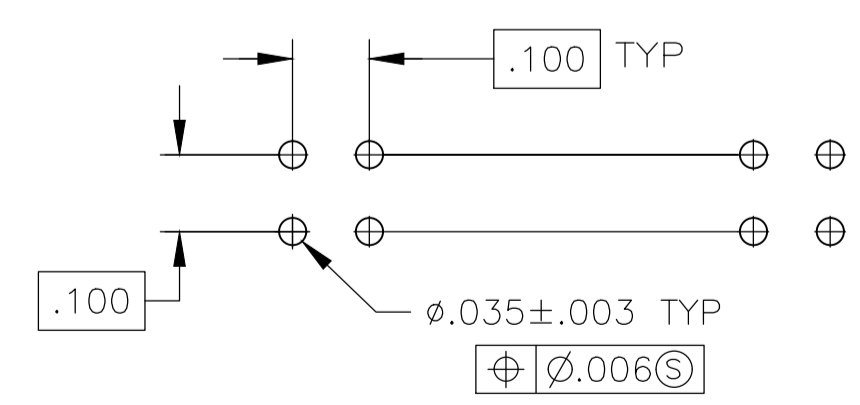
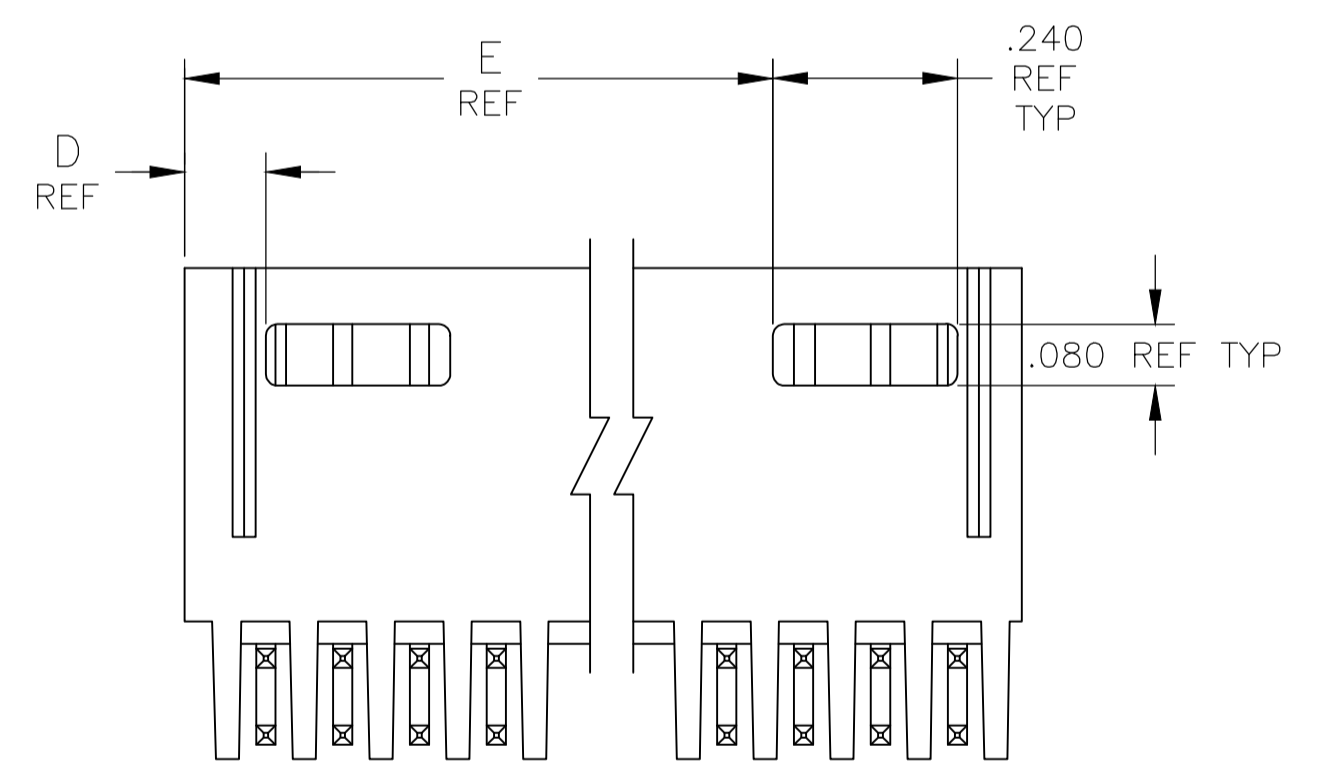
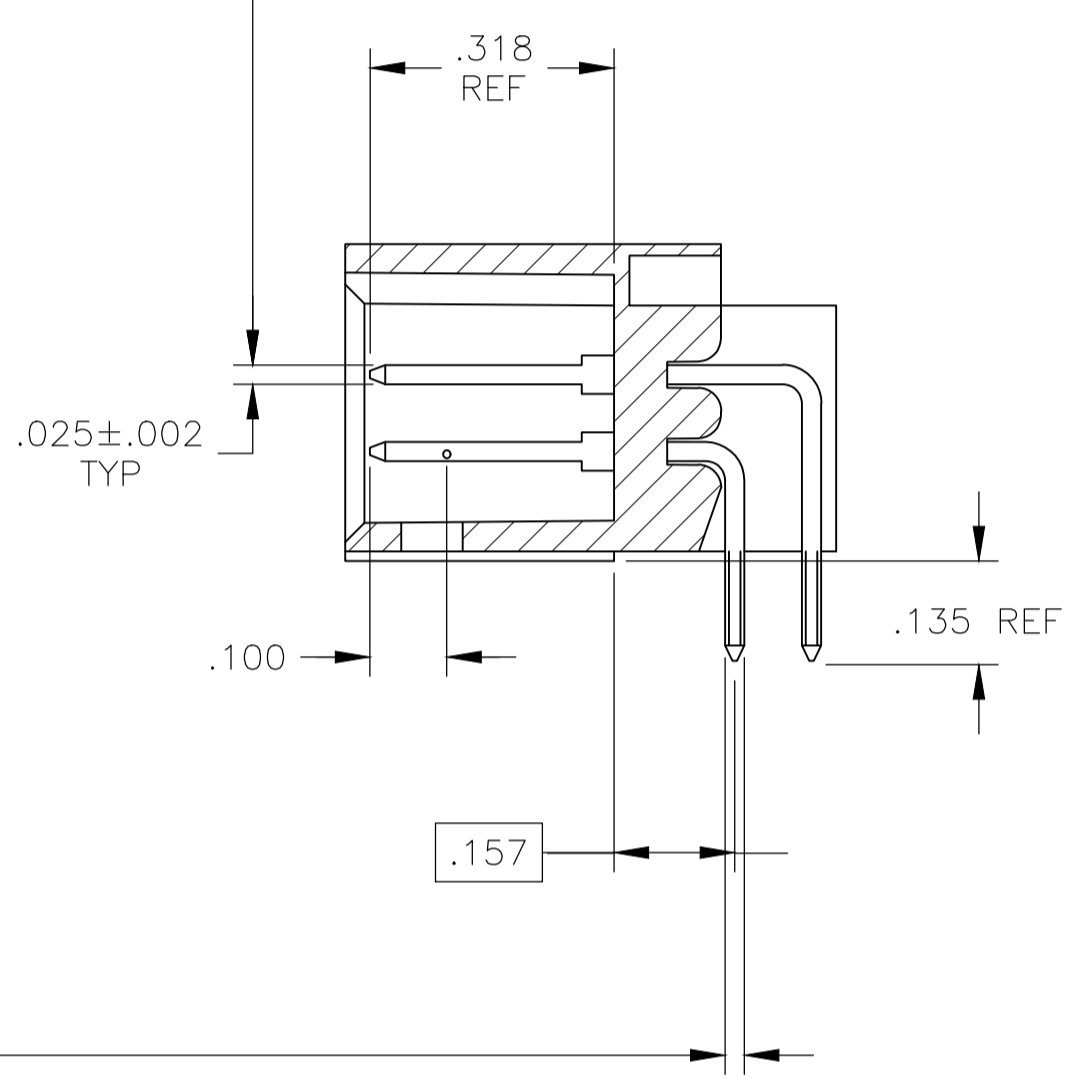
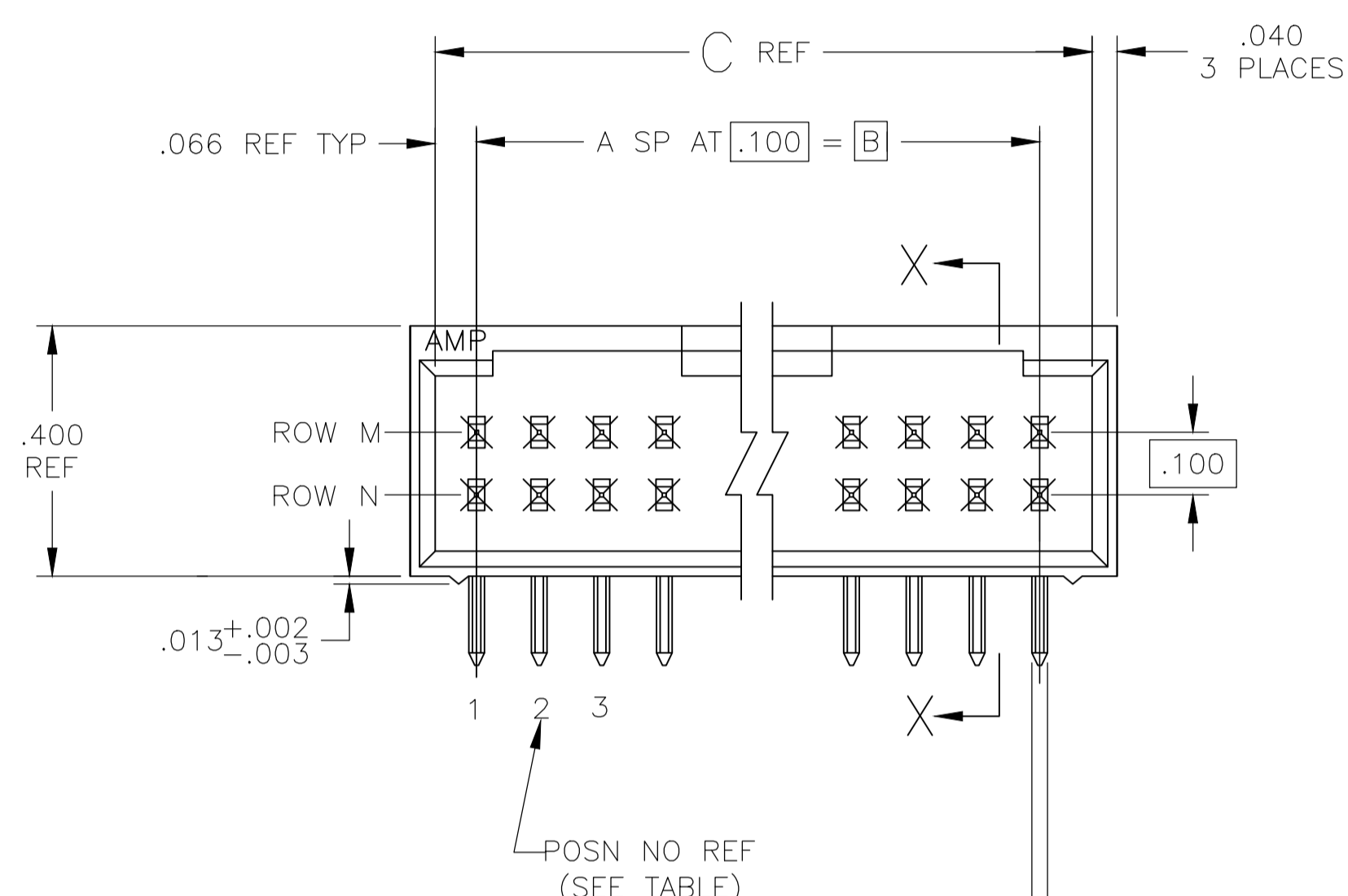
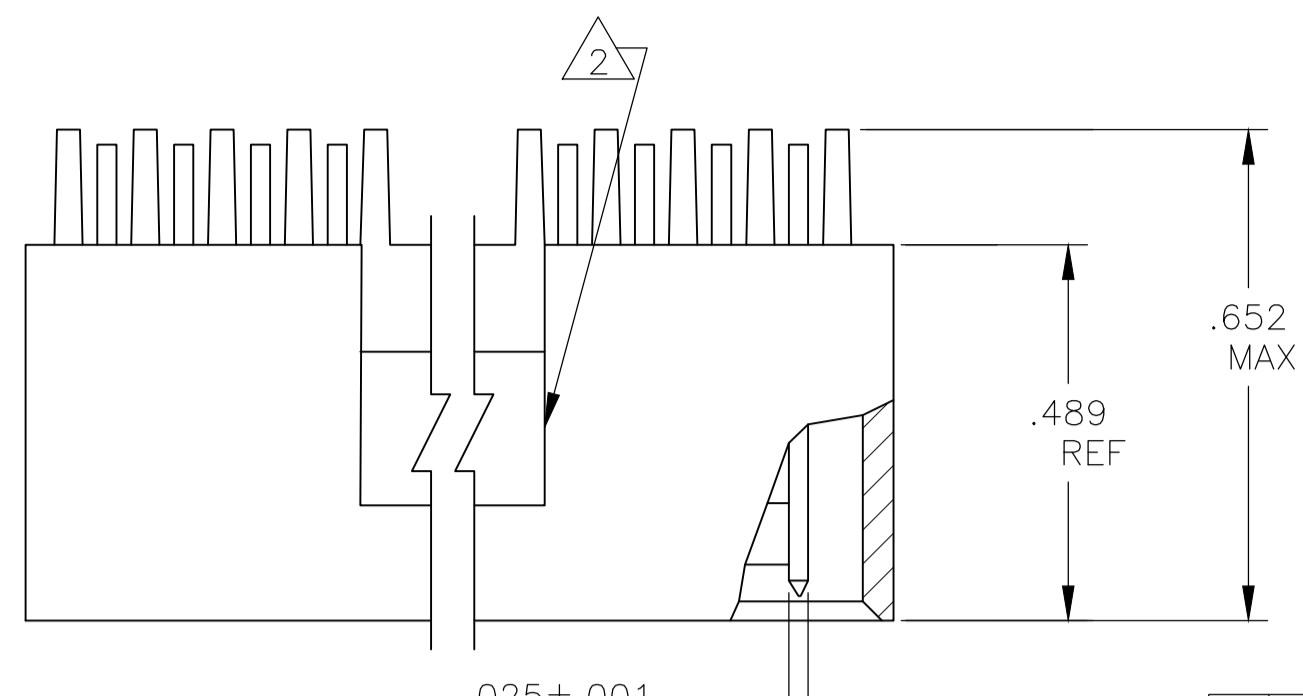


REVISIONS						
P	LTR	DESCRIPTION	DATE	DN	APVD	
R3		PART STATUS UPDATED IN PART LIST TABLE	19FEB2018	SD	PS	

1. STAND-OFFS:  
 6 THRU 18 POSN (2) REQD LOCATED AS SHOWN OUTBOARD OF END CIRCUITS.  
 20 THRU 38 POSN (3) REQD LOCATED OUTBOARD OF END CIRCUITS PLUS (1) CENTERED.  
 40 THRU 74 POSN (4) REQD LOCATED OUTBOARD OF END CIRCUITS WITH (2) EVENLY SPACED WITHIN THE REMAINING LENGTH.

- 2 ACCESS SLOT  
 3 .000100-.000200 BRIGHT TIN-LEAD OVER .000050 NICKEL.  
 4 .000100-.000200 BRIGHT TIN OVER .000050 NICKEL.  
 5 PRELIMINARY PART  
 6 .000100-.000200 MATTE TIN OVER .000050 NICKEL  
 7 OBSOLETE PARTS: OBSOLETE CIS STREAMLINING PER D.RENAUD/D.SINISI



RECOMMENDED HOLE LAYOUT

FINISH	E	D	C	B	A	NO. OF POSN	PART NO.
						6	8-87579-5
						36	8-87579-4
						35	8-87579-3
						34	8-87579-2
						33	8-87579-1
						32	8-87579-0
						31	7-87579-9
						30	7-87579-8
						29	7-87579-7
						28	7-87579-6
						27	7-87579-5
						26	7-87579-4
						25	7-87579-3
						24	7-87579-2
						23	7-87579-1
						22	7-87579-0
						21	6-87579-9
						20	6-87579-8
						19	6-87579-7
						18	6-87579-6
						17	6-87579-5
						16	6-87579-4
						15	6-87579-3
						14	6-87579-2
						13	6-87579-1
						12	6-87579-0
						11	5-87579-9
						10	5-87579-8
						9	5-87579-7
						8	5-87579-6
						7	5-87579-5
						6	5-87579-4
						5	5-87579-3
						4	5-87579-2
						3	5-87579-1
						29	3-87579-9
						28	3-87579-8
						16	3-87579-7
						12	3-87579-6
						6	3-87579-5
						74	3-87579-4
						72	3-87579-3
						70	3-87579-2
						68	3-87579-1
						66	3-87579-0
						64	2-87579-9
						62	2-87579-8
						60	2-87579-7
						58	2-87579-6
						56	2-87579-5
						54	2-87579-4
						52	2-87579-3
						50	2-87579-2
						48	2-87579-1
						46	2-87579-0
						44	1-87579-9
						42	1-87579-8
						40	1-87579-7
						38	1-87579-6
						36	1-87579-5
						34	1-87579-4
						32	1-87579-3
						30	1-87579-2
						28	1-87579-1
						26	1-87579-0
						24	87579-9
						22	87579-8
						20	87579-7
						18	87579-6
						16	87579-5
						14	87579-4
						12	87579-3
						10	87579-2
						8	87579-1

THIS DRAWING IS A CONTROLLED DOCUMENT. DIMENSIONS: INCHES. TOLERANCES UNLESS OTHERWISE SPECIFIED: 0. PLC ±, 1. PLC ±, 2. PLC ±, 3. PLC ±, 4. PLC ±, ANGLES ±.

MATERIAL: HOUSING: FLAME RETARDANT THERMOPLASTIC; COIL-ON-REEL; CONTACTS: PHOS BRONZE. FINISH: SEE TABLE.

WEIGHT: --. SIZE: A1. CUSTOMER DRAWING. SCALE: 4:1. SHEET 1 OF 1. REV R3.

APPROVED: R. FLICKER. NAME: R. FLICKER. PRODUCT SPEC: HDR ASSY, MOD II, SHROUDED, 4 SIDES, DBL ROW, .100 X.100 C/L, .025 SQ POSTS.

DATE: 25-10-89. DRAWING NO: 00779. PART NO: 87579.

# Mouser Electronics

Authorized Distributor

Click to View Pricing, Inventory, Delivery & Lifecycle Information:

[TE Connectivity:](#)

[7-87579-2](#)