

Nozzle overview matrix..... 2, 3

Selective Soldering Nozzles..... 5-11

Height 47 mm, B22 5, 6
 Height 57 mm, B22 7
 Height 62 mm, B22 7
 Height 65 mm, B22 8
 Height 75 mm, B22 8
 Height 80 mm, B22 8, 9
 Height 85 mm, B22 9
 Height 90 mm, B22 9
 Height 47 mm, B36 10
 Height 56 mm, B36 10
 Height 58 mm, B36 10
 Height 75 mm, B36 10
 Height 85 mm, B36 11
 Height 90 mm, B36 11

Lubricants & Cleaning Products 12

Flux 13

Solderbath Maintenance 14, 15

Solderbath Maintenance General 14
 Solderbath Maintenance Wave 14, 15
 Solderbath Maintenance Selective 15

Fluxer Accessories 16-18

PTP Messboards 18

Solder Frames..... 19, 20

250 mm working width 19
 330 mm working width 19
 400 mm working width 19
 500 mm working width 19
 Spare Parts 250 mm working width 19
 Spare Parts 330 mm - 500 mm working width 20
 Selective machines 20

Stencil printers 20, 21

Auxiliaries and Supplies..... 21, 22

Selective Soldering Nozzles

Finger Conveyor = (M)
 Roller Conveyor = (R)
 Pin Chain Conveyor = (K)

	Nozzle height	with variable Z-Axis		Nozzle height	with variable Z-Axis
ECOSELECT 1	≤ 90 mm (M)	≤ 57 mm (M)	SMARTFLOW	≤ 75 mm (M)	-----
ECOSELECT 2	≤ 75 mm (K)	≤ 57 mm (K)	VERSAFLOW 3	≤ 85 mm (R)	≤ 57 mm (R)
ECOSELECT 4	≤ 85 mm (R)	≤ 85 mm (R)	VERSAFLOW 4	≤ 85 mm (R)	≤ 85 mm (R)
ECOCELL	≤ 85 mm (R, K)	≤ 57 mm (R, K)			

Height 47 mm, B22

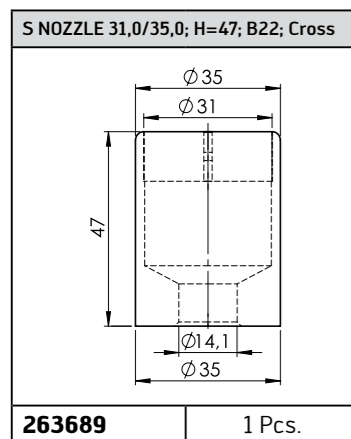
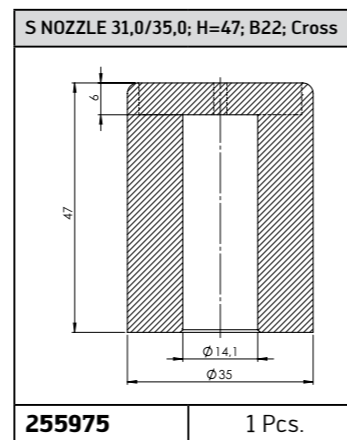
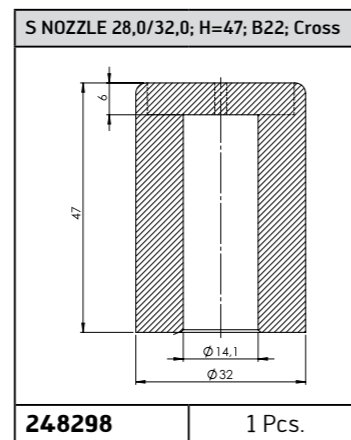
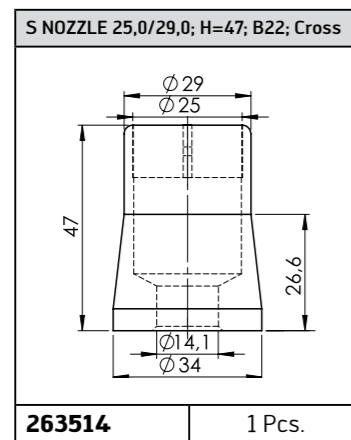
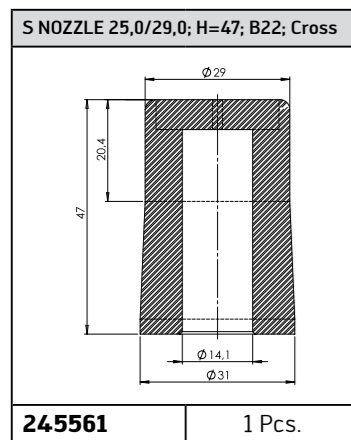
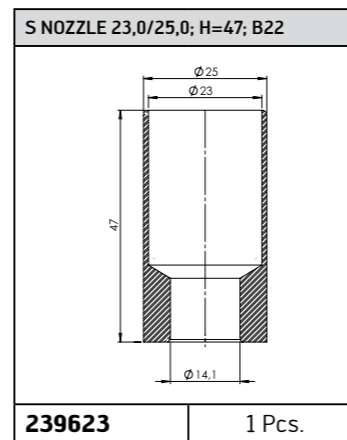
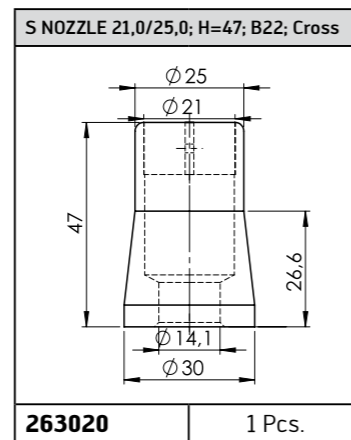
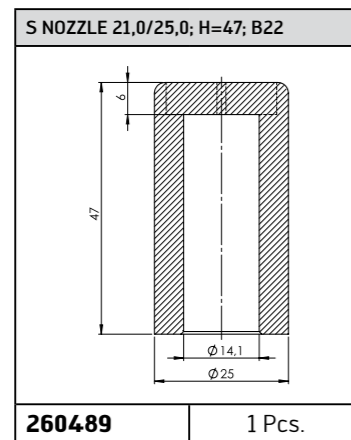
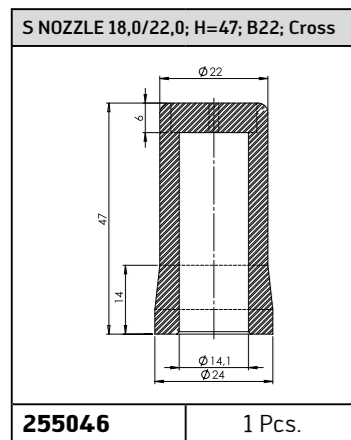
<p>S NOZZLE 2,0/4,5; H=47; B22</p> <p>213510 1 Pcs.</p>	<p>S NOZZLE 2,4/5,0; H=47; B22</p> <p>296767 1 Pcs.</p>	<p>S NOZZLE 2,7/5,5; H=47; B22</p> <p>296788 1 Pcs.</p>	<p>S NOZZLE 3,0/6,0; H=47; B22</p> <p>114609 1 Pcs.</p>
<p>S NOZZLE 3,5/7,0; H=47; B22</p> <p>256501 1 Pcs.</p>	<p>S NOZZLE 4,0/8,0; H=47; B22</p> <p>114611 1 Pcs.</p>	<p>S NOZZLE 5,0/9,0; H=47; B22</p> <p>152894 1 Pcs.</p>	<p>S NOZZLE 6,0/10,0; H=47; B22</p> <p>114613 1 Pcs.</p>
<p>S NOZZLE 8,0/12,0; H=47; B22</p> <p>118615 1 Pcs.</p>	<p>S NOZZLE 10,0/14,0; H=47; B22</p> <p>119274 1 Pcs.</p>	<p>S NOZZLE 10,0/14,0; H=47; B22; Cross</p> <p>257563 1 Pcs.</p>	<p>S NOZZLE 12,0/16,0; H=47; B22</p> <p>208094 1 Pcs.</p>
<p>S NOZZLE 14,0/18,0; H=47; B22</p> <p>190959 1 Pcs.</p>	<p>S NOZZLE 16,0/20,0; H=47; B22; Cross</p> <p>245562 1 Pcs.</p>	<p>S NOZZLE 16,0/20,0; H=47; B22; Cross</p> <p>263686 1 Pcs.</p>	<p>S NOZZLE 18,0/20,0; H=47; B22</p> <p>134354 1 Pcs.</p>

Selective Soldering Nozzles

Finger Conveyor = (M)
 Roller Conveyor = (R)
 Pin Chain Conveyor = (K)

	Nozzle height	with variable Z-Axis	SMARTFLOW	Nozzle height	with variable Z-Axis
ECOSELECT 1	≤ 90 mm (M)	≤ 57 mm (M)	≤ 75 mm (M)	-----	
ECOSELECT 2	≤ 75 mm (K)	≤ 57 mm (K)	VERSAFLOW 3	≤ 85 mm (R)	≤ 57 mm (R)
ECOSELECT 4	≤ 85 mm (R)	≤ 85 mm (R)	VERSAFLOW 4	≤ 85 mm (R)	≤ 85 mm (R)
ECOCELL	≤ 85 mm (R, K)	≤ 57 mm (R, K)			

Height 47 mm, B22



Selective Soldering Nozzles

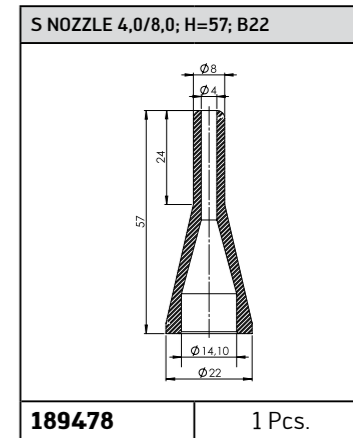
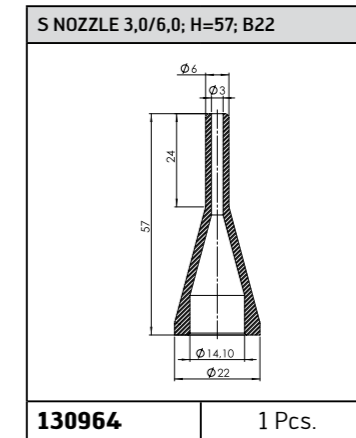
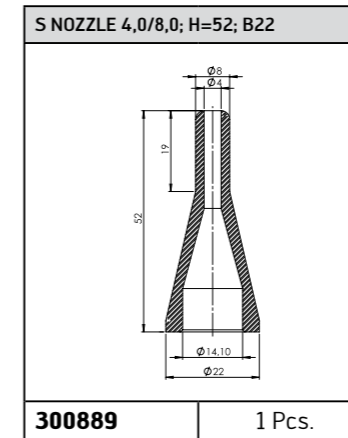
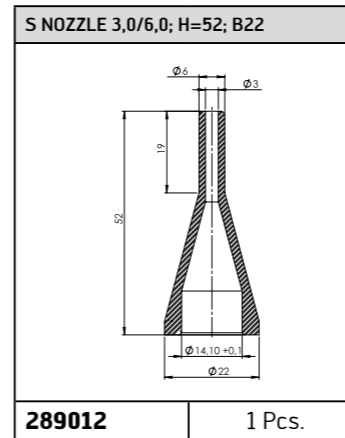
Finger Conveyor = (M)
 Roller Conveyor = (R)
 Pin Chain Conveyor = (K)

	Nozzle height	with variable Z-Axis	SMARTFLOW	Nozzle height	with variable Z-Axis
ECOSELECT 1	≤ 90 mm (M)	≤ 57 mm (M)	≤ 75 mm (M)	-----	
ECOSELECT 2	≤ 75 mm (K)	≤ 57 mm (K)	VERSAFLOW 3	≤ 85 mm (R)	≤ 57 mm (R)
ECOSELECT 4	≤ 85 mm (R)	≤ 85 mm (R)	VERSAFLOW 4	≤ 85 mm (R)	≤ 85 mm (R)
ECOCELL	≤ 85 mm (R, K)	≤ 57 mm (R, K)			

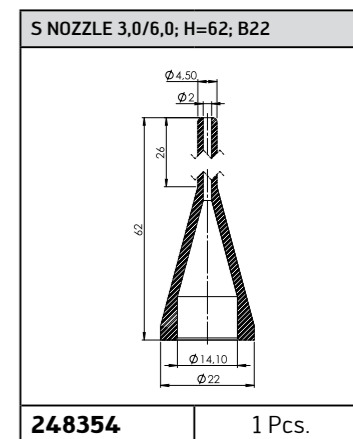
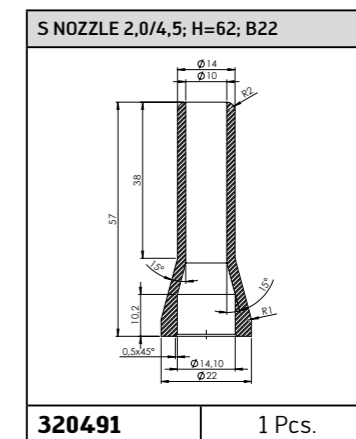
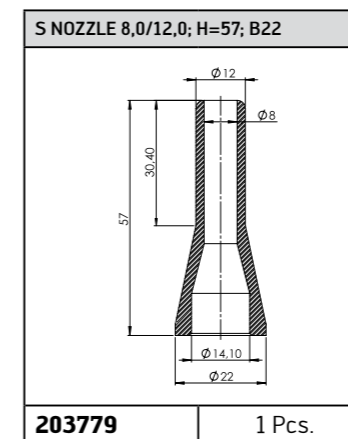
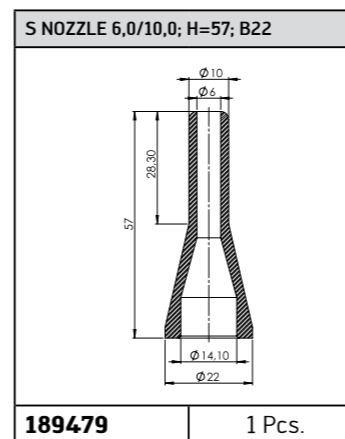
Please note:

at a nozzle height higher than 47 mm a consultation with Erska is recommended

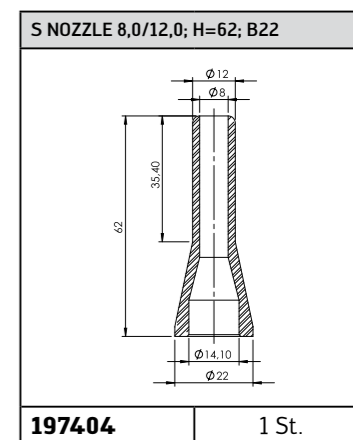
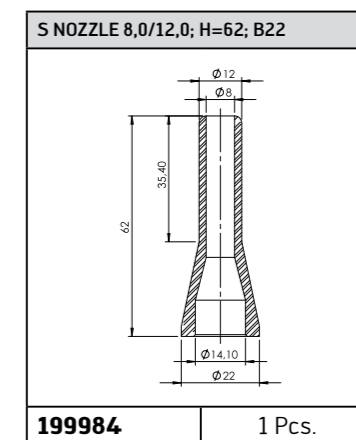
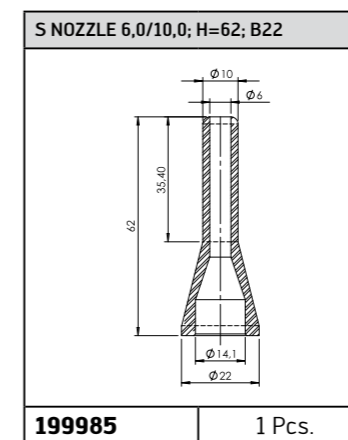
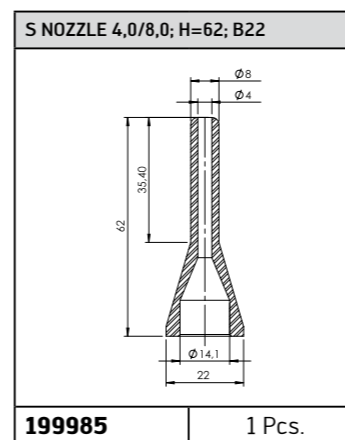
Height 52 mm, B22



Height 57 mm, B22



Height 62 mm, B22

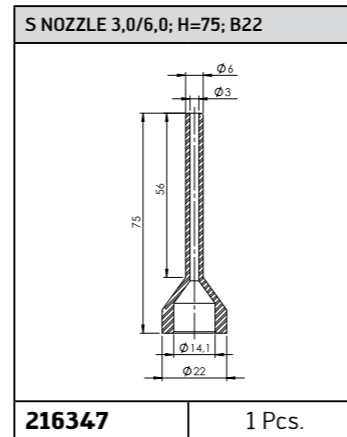
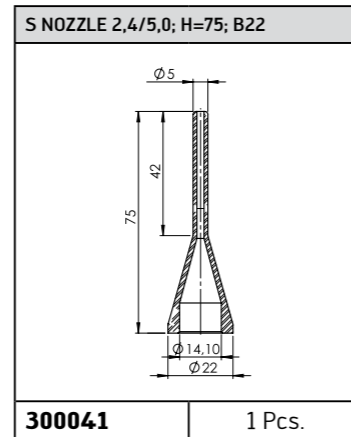
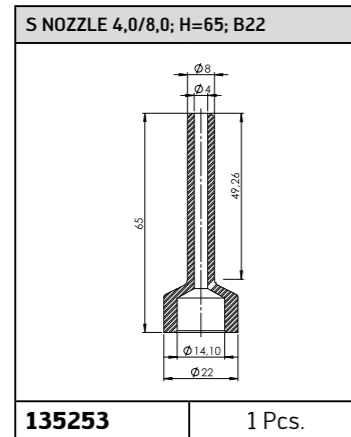
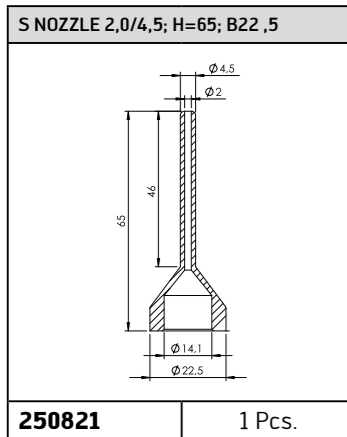


Selective Soldering Nozzles

Finger Conveyor = (M)
 Roller Conveyor = (R)
 Pin Chain Conveyor = (K)

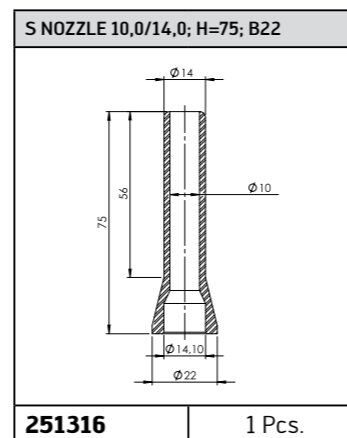
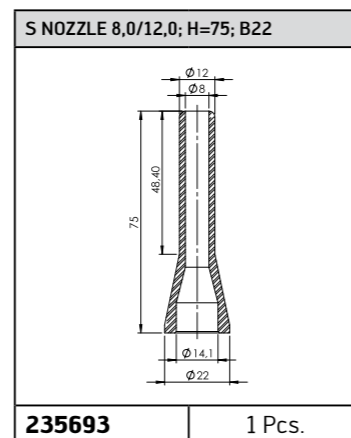
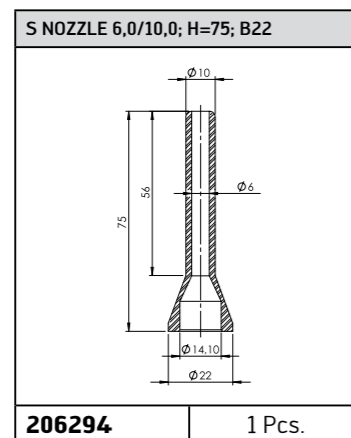
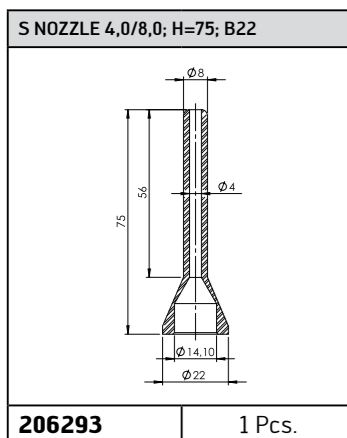
	Nozzle height	with variable Z-Axis	SMARTFLOW	Nozzle height	with variable Z-Axis
ECOSELECT 1	≤ 90 mm (M)	≤ 57 mm (M)	≤ 75 mm (M)	-----	
ECOSELECT 2	≤ 75 mm (K)	≤ 57 mm (K)	VERSAFLOW 3	≤ 85 mm (R)	≤ 57 mm (R)
ECOSELECT 4	≤ 85 mm (R)	≤ 85 mm (R)	VERSAFLOW 4	≤ 85 mm (R)	≤ 85 mm (R)
ECOCELL	≤ 85 mm (R, K)	≤ 57 mm (R, K)			

Height 65 mm, B22

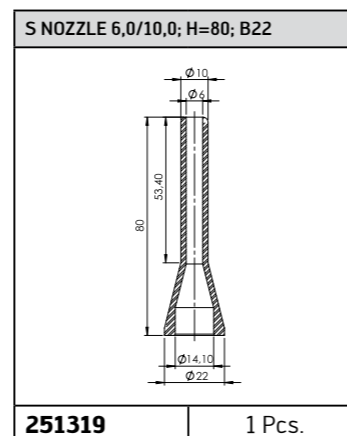
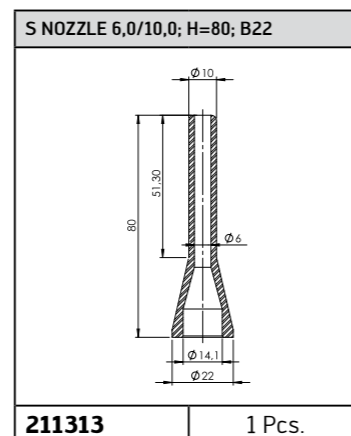
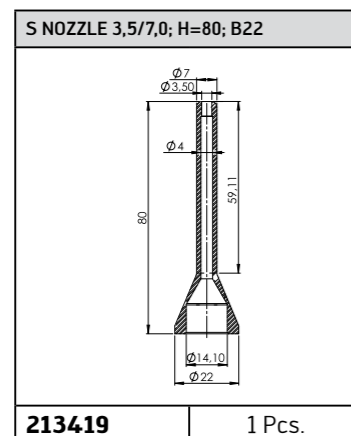
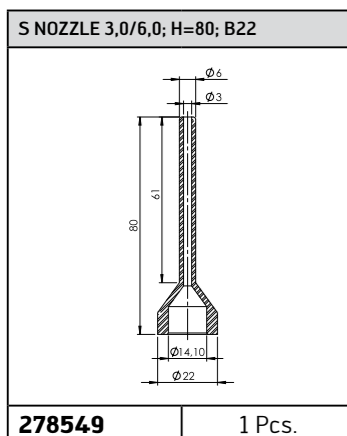


Height 75 mm, B22

Height 75 mm, B22



Height 80 mm, B22

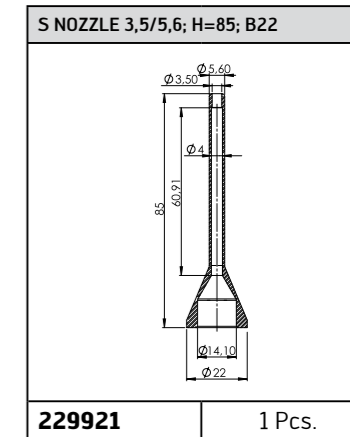
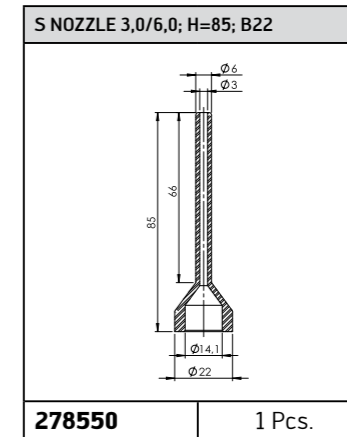
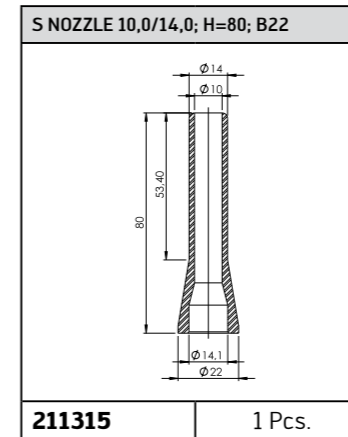
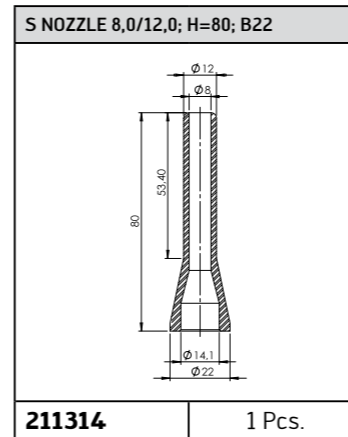


Selective Soldering Nozzles

Finger Conveyor = (M)
 Roller Conveyor = (R)
 Pin Chain Conveyor = (K)

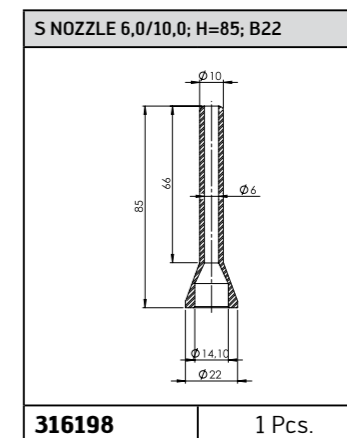
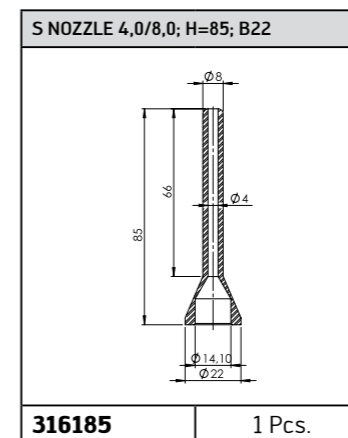
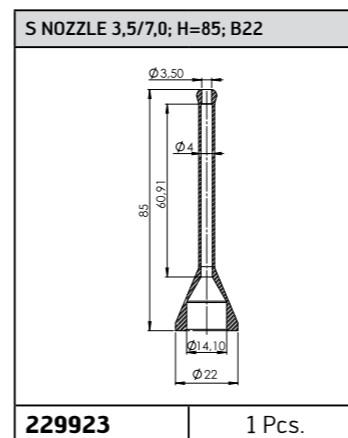
	Nozzle height	with variable Z-Axis	SMARTFLOW	Nozzle height	with variable Z-Axis
ECOSELECT 1	≤ 90 mm (M)	≤ 57 mm (M)	≤ 75 mm (M)	-----	
ECOSELECT 2	≤ 75 mm (K)	≤ 57 mm (K)	VERSAFLOW 3	≤ 85 mm (R)	≤ 57 mm (R)
ECOSELECT 4	≤ 85 mm (R)	≤ 85 mm (R)	VERSAFLOW 4	≤ 85 mm (R)	≤ 85 mm (R)
ECOCELL	≤ 85 mm (R, K)	≤ 57 mm (R, K)			

Height 80 mm, B22



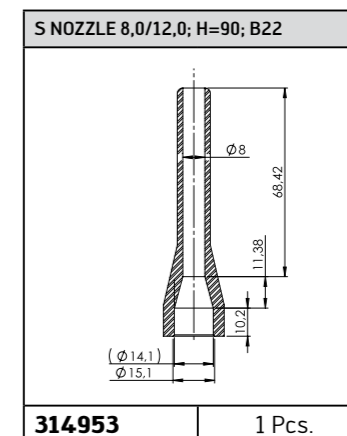
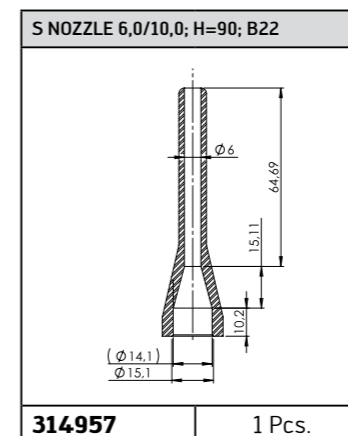
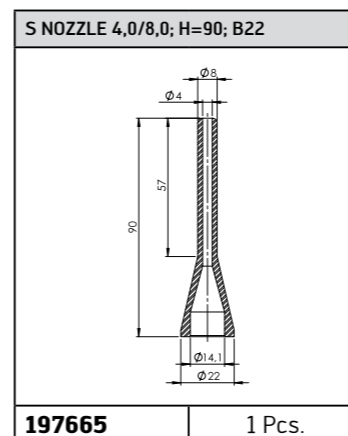
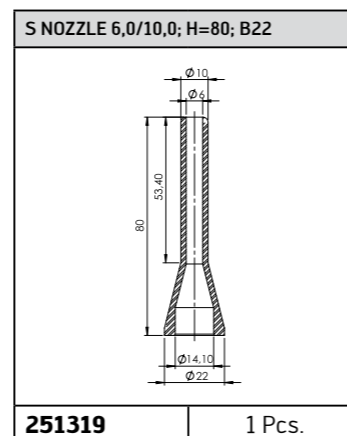
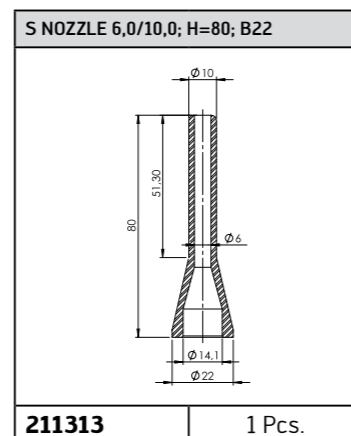
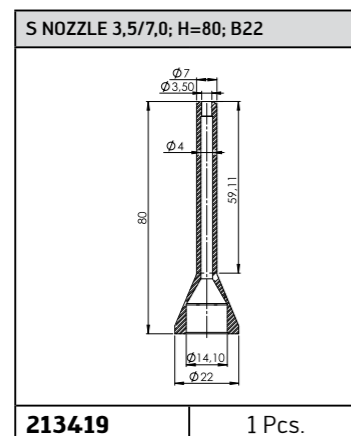
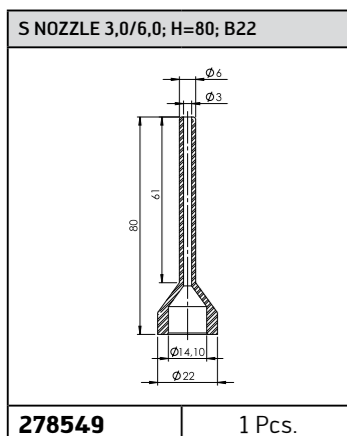
Height 85 mm, B22

Height 85 mm, B22



Height 80 mm, B22

Height 90 mm, B22

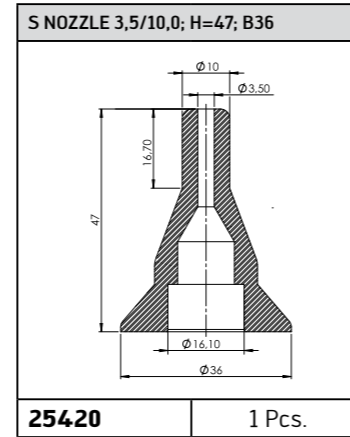
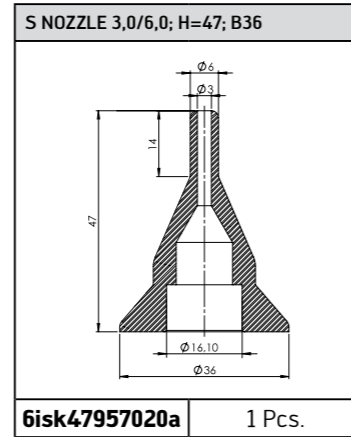
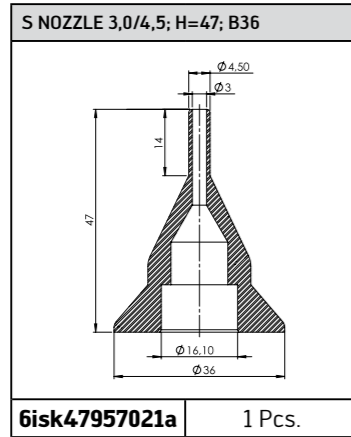
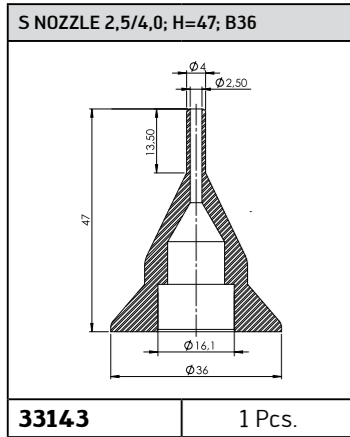


Selective Soldering Nozzles

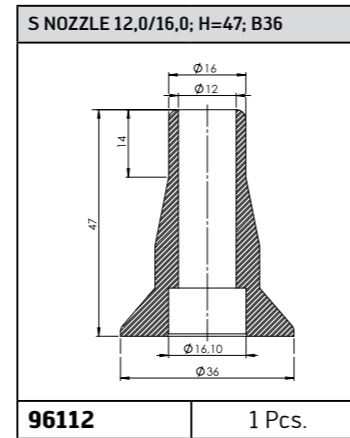
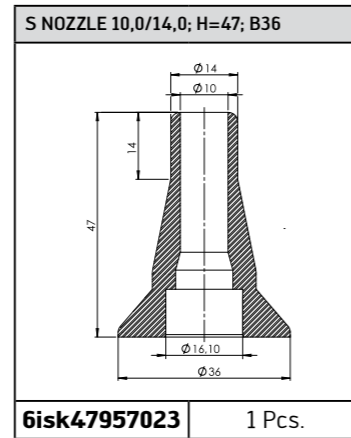
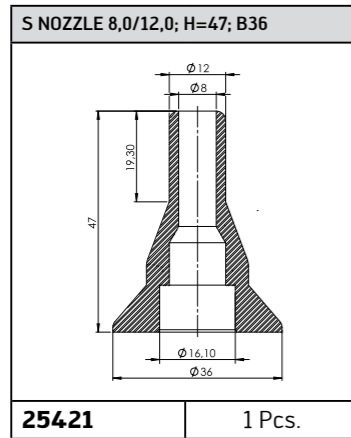
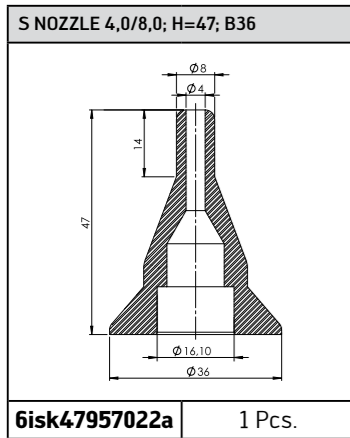
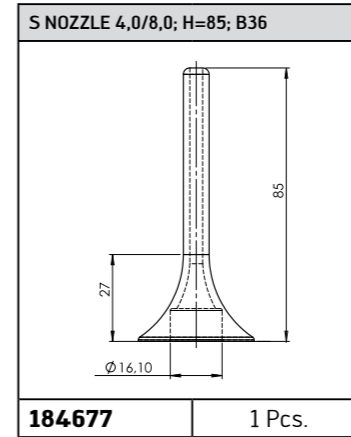
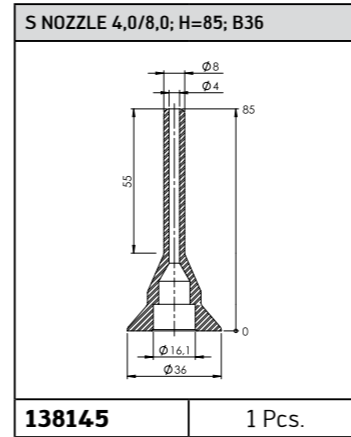
Finger Conveyor = (M)
 Roller Conveyor = (R)
 Pin Chain Conveyor = (K)

	Nozzle height	with variable Z-Axis	SMARTFLOW	Nozzle height	with variable Z-Axis
ECOSELECT 1	≤ 90 mm (M)	≤ 57 mm (M)	≤ 75 mm (M)	-----	
ECOSELECT 2	≤ 75 mm (K)	≤ 57 mm (K)	VERSAFLOW 3	≤ 85 mm (R)	≤ 57 mm (R)
ECOSELECT 4	≤ 85 mm (R)	≤ 85 mm (R)	VERSAFLOW 4	≤ 85 mm (R)	≤ 85 mm (R)
ECOCELL	≤ 85 mm (R, K)	≤ 57 mm (R, K)			

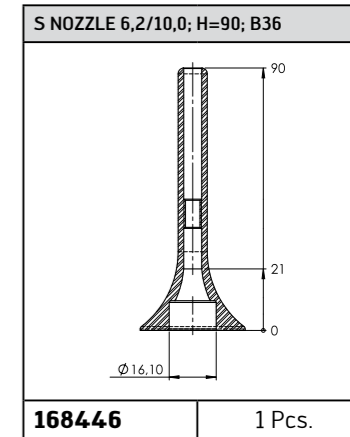
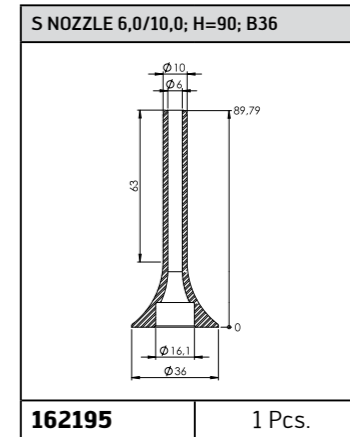
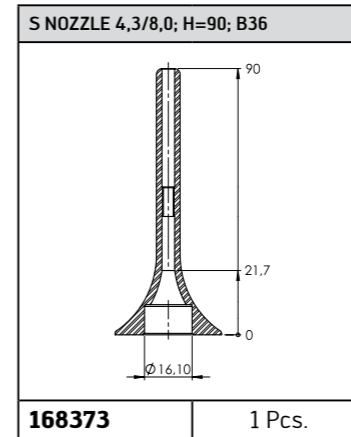
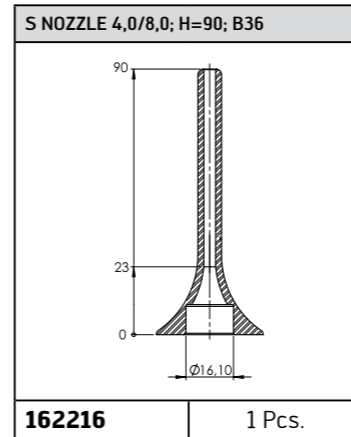
Height 47 mm, B36



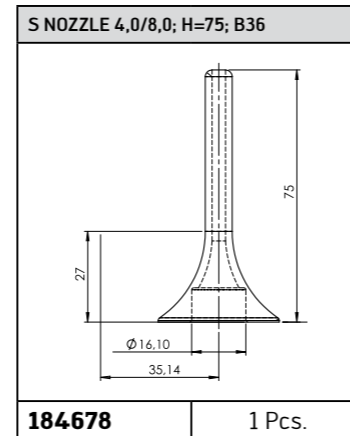
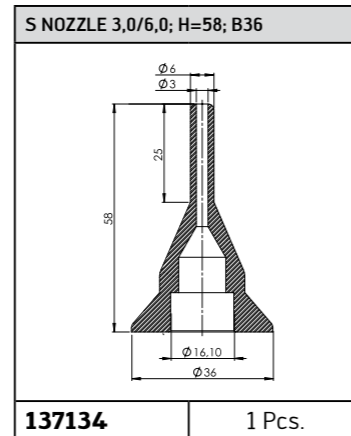
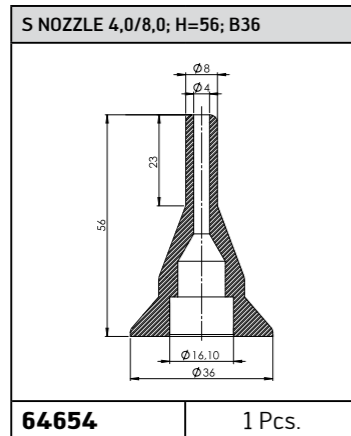
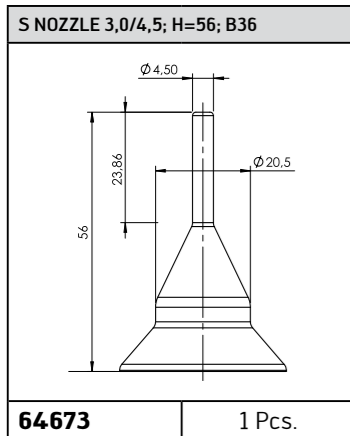
Height 85 mm, B36



Height 90 mm, B36



Height 56 mm, B36



Selective Soldering Nozzles

Finger Conveyor = (M)
 Roller Conveyor = (R)
 Pin Chain Conveyor = (K)

	Nozzle height	with variable Z-Axis	SMARTFLOW	Nozzle height	with variable Z-Axis
ECOSELECT 1	≤ 90 mm (M)	≤ 57 mm (M)	≤ 75 mm (M)	-----	
ECOSELECT 2	≤ 75 mm (K)	≤ 57 mm (K)	VERSAFLOW 3	≤ 85 mm (R)	≤ 57 mm (R)
ECOSELECT 4	≤ 85 mm (R)	≤ 85 mm (R)	VERSAFLOW 4	≤ 85 mm (R)	≤ 85 mm (R)
ECOCELL	≤ 85 mm (R, K)	≤ 57 mm (R, K)			