

1 2 3 4 5 6 7 8 9 10

REV	ALTERATION	DATE	CHECKED
A	NEWRELEASE	12.05.2006	Nicole
B	Changed the mark on clip	06.13.2007	Kengi
C			
D			
E			

A

B

C

D

E

F

A

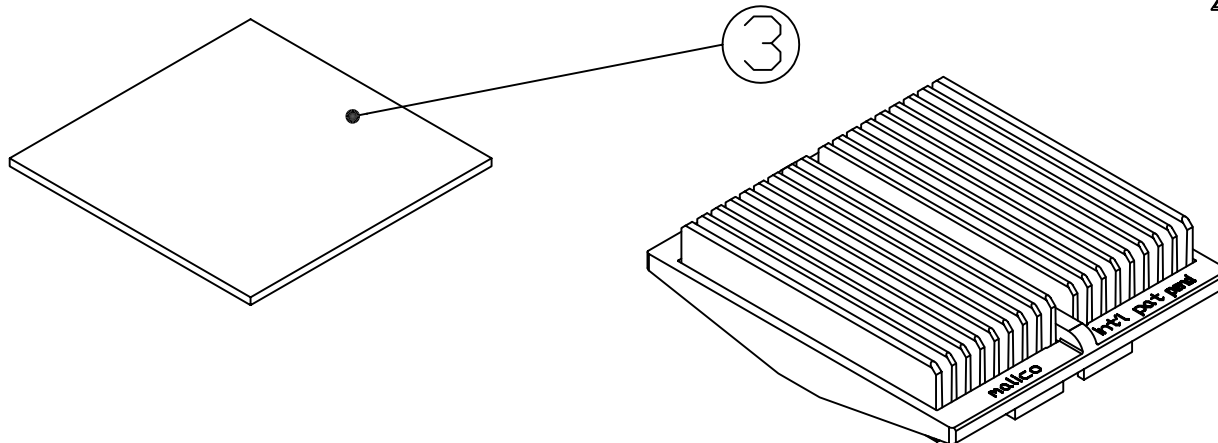
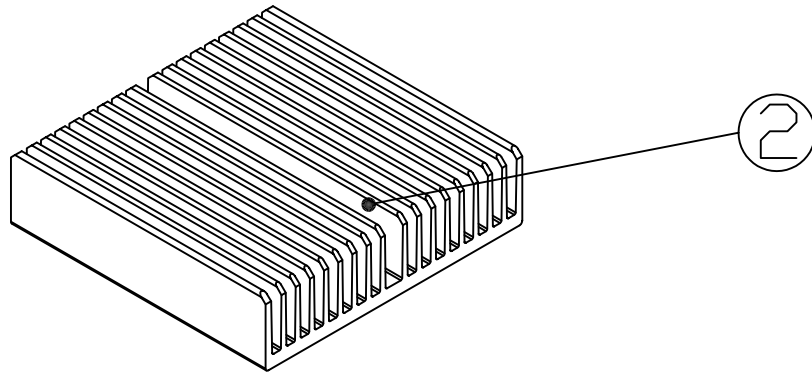
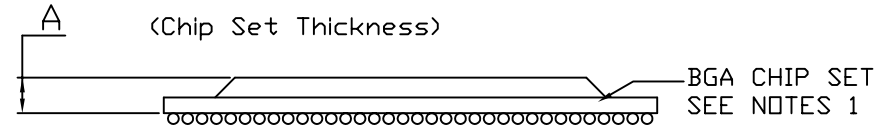
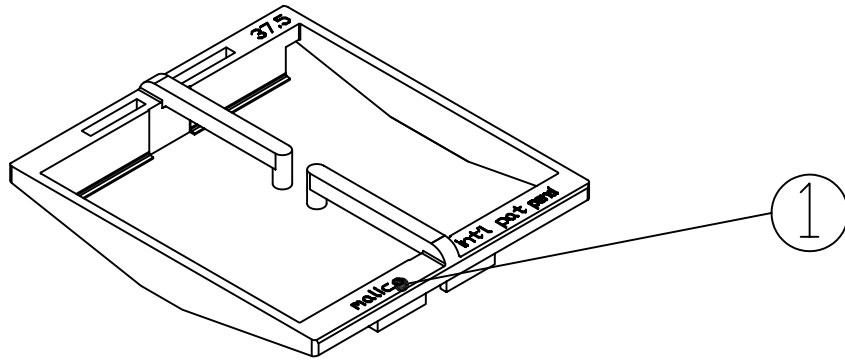
B

C

D

E

F



**NOTES:**

1:

A (Chip Set Thickness)	Clip-Color
2.1mm~2.6mm	YELLOW
1.5mm~2.0mm	BLUE
0.9mm~1.4mm	ORANGE

2:

ITEM	DESCRIPTION	DIMENSION	MATERIAL	FINISH / COLOR	QTY
1	CLIP	44.6*40.1*7.5	PLASTIC	SEE NOTES 1	1
2	HEAT SINK	37.3*37*9.5	AL 6063-T5	BLACK ANODIZE	1
3	THERMAL TAPE	35*35	T725	****	1

FINISH:  
SEE NOTES 2  
MATERIAL:  
SEE NOTES 2  
DATE:  
06.13.2006  
TITLE:  
ASSEMBLY



APPROVED: Sammy  
CHECKED: Audi  
DRAWN: Kengi  
REV: B  
MODEL NO:  
CEBA31373710XX-00  
(Equal No.EBA37.5031-10)

1 2 3 4 5 6 7 8 9 10