

MATERIALS AND FINISHES

BODY ZINC ALLOY  
 PLATED NICKEL  
 NOTE: ISOLATED FROM PANEL

HOUSING PLOYESTER BUTYLENE TEREPHTALATE  
 COLOR: BLACK

CENTER CONTACT PHOSPHOR BRONZE  
 PLATED GOLD

INSULATOR POLYPROPYLENE (94-V2)

MOUNTING POST BRASS  
 PLATED TIN

SOLDER TAIL BRASS WIRE  
 PLATED TIN

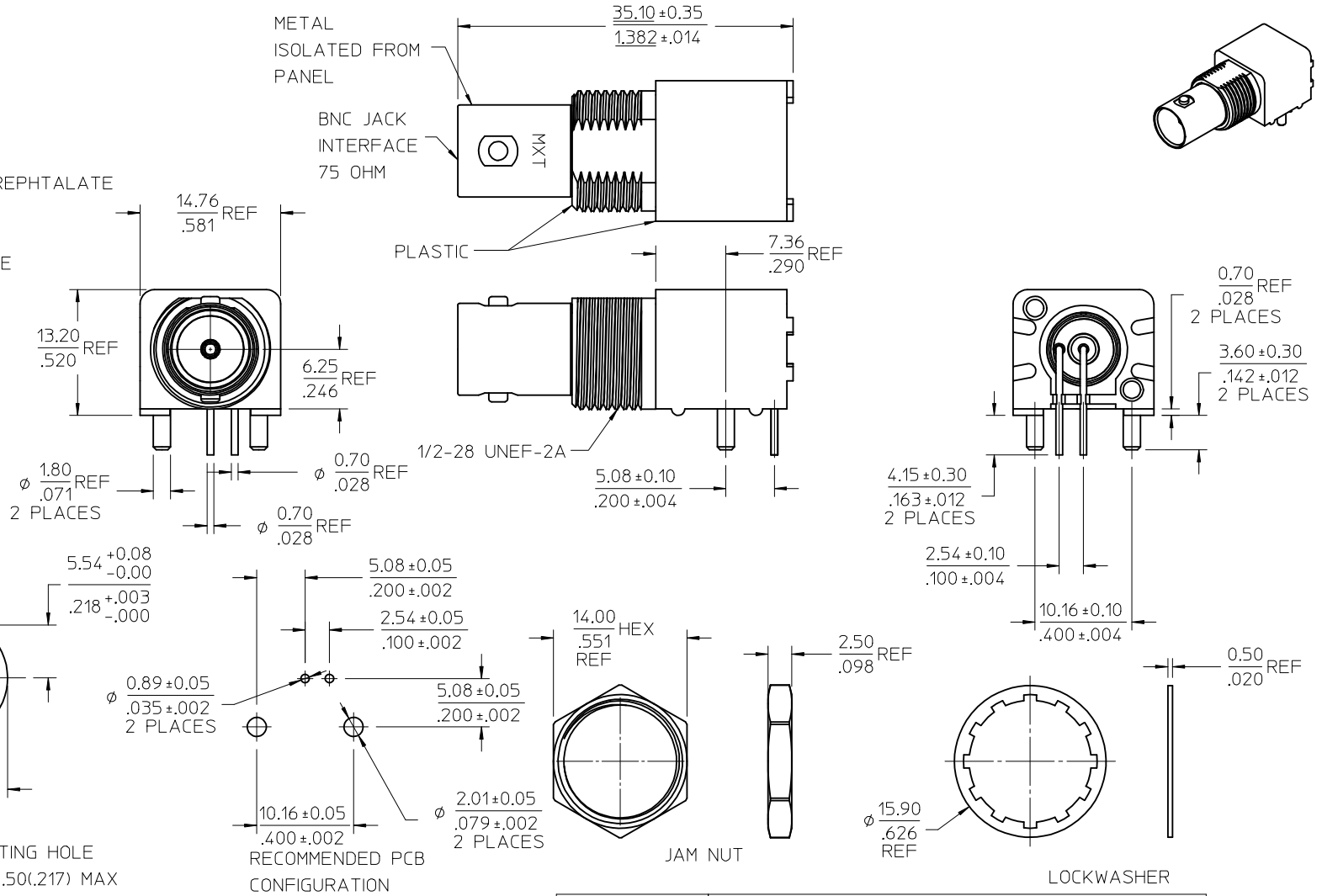
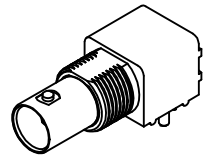
LOCKWASHER PHOSPHOR BRONZE  
 PLATED NICKEL

JAM NUT BRASS  
 PLATED NICKEL

METAL  
 ISOLATED FROM  
 PANEL

BNC JACK  
 INTERFACE  
 75 OHM

PLASTIC



RECOMMENDED MOUNTING HOLE  
 PANEL THICKNESS: 5.50(.217) MAX  
 RECOMMENDED MOUNTING TORQUE:  
 0.56 N( 5 INCH-LBS) MAX

RECOMMENDED PCB  
 CONFIGURATION

JAM NUT

LOCKWASHER

|            |  |
|------------|--|
| 73171-6090 | 73100-0067 W/O NUT AND WASHER, TRAY PACK |
| 73171-2980 | 73100-0067, ONE PER BAG                  |
| 73100-0067 | TRAY                                     |
| PART NO.   | PACKAGING                                |

|               |                       |
|---------------|-----------------------|
| PS-89675-1030 | PRODUCT SPECIFICATION |
| SPECIFICATION | DESCRIPTION           |

CHG: ADD  
 ISOLATION NOTE  
 PS WAS  
 73598-0051

EC NO: URF2014-0213  
 2013/10/07  
 DRW: WIENER  
 2013/10/07  
 CHK: SSS  
 2013/10/09  
 APPR: WIENER

QUALITY  
 SYMBOLS  
 ▽=0  
 ▽=0

GENERAL TOLERANCES  
 (UNLESS SPECIFIED)

|          | mm     | INCH   |
|----------|--------|--------|
| 4 PLACES | ± .15  | ± .005 |
| 3 PLACES | ± .10  | ± .004 |
| 2 PLACES | ± .075 | ± .003 |
| 1 PLACE  | ± .05  | ± .002 |

ANGULAR ± 2°

DRAFT WHERE APPLICABLE  
 MUST REMAIN  
 WITHIN DIMENSIONS

DIMENSION STYLE  
 MM/IN

DRAWN BY  
 C.M. HUNG

DATE  
 1993/02/01

CHECKED BY  
 C.M. HUNG

DATE  
 1993/02/01

APPROVED BY  
 KWH

DATE  
 1993/04/01

MATERIAL NO.  
 SEE TABLE

SIZE  
 C

SCALE  
 DESIGN UNITS  
 METRIC

THIRD ANGLE  
 PROJECTION

TITLE  
 BNC JACK, R/A, PCB  
 RECEPTACLE, 75 OHMS  
 BNC-J/RA/PCB

MOLEX INCORPORATED

DOCUMENT NO.  
 SD-73100-0067

SHEET NO.  
 1 OF 1

THIS DRAWING CONTAINS INFORMATION THAT IS PROPRIETARY TO MOLEX  
 INCORPORATED AND SHOULD NOT BE USED WITHOUT WRITTEN PERMISSION