



Product Features:

- Gigabit (10/100/1000) Ethernet RJ45
- IEEE802.3ab Compliant
- 350uH min OCL at 8mA DC Bias Across the Full Temp Range
- 30µ" Gold Plating (min) on Contacts
- 100% Compliance Testing
- 1500Vrms Hi-Pot
- Proprietary Robust Contact Design

| Part Number | | Circuit | LED's (L/R) | Return Loss (min) | | | | PHY Drive |
|---------------------------|------------------------------|---------|-------------|-------------------|-------|-------|--------|-----------|
| Standard Temp (0 to 70°C) | Extended Temp (-40 to +85°C) | | | 1-40MHz | 60MHz | 80MHz | 100MHz | |
| HFJ11-1G01ERL | HFJ11-E1G01ERL | A | None | -18dB | -14dB | -12dB | -10dB | Current |
| HFJ11-1G01E-L11RL | HFJ11-E1G01E-L11RL | A | G/G | -18dB | -14dB | -12dB | -10dB | Current |
| HFJ11-1G01E-L12RL | HFJ11-E1G01E-L12RL | A | G/Y | -18dB | -14dB | -12dB | -10dB | Current |
| HFJ11-1G06ERL | HFJ11-E1G06ERL | B | None | -18dB | -14dB | -12dB | -10dB | Current |
| HFJ11-1G06E-L11RL | HFJ11-E1G06E-L11RL | B | G/G | -18dB | -14dB | -12dB | -10dB | Current |
| HFJ11-1G06E-L12RL | HFJ11-E1G06E-L12RL | B | G/Y | -18dB | -14dB | -12dB | -10dB | Current |
| HFJ11-1G11ERL* | HFJ11-E1G11ERL* | C | None | -18dB | -14dB | -12dB | -10dB | Current |
| HFJ11-1G11E-L11RL* | HFJ11-E1G11E-L11RL* | C | G/G | -18dB | -14dB | -12dB | -10dB | Current |
| HFJ11-1G11E-L12RL* | HFJ11-E1G11E-L12RL* | C | G/Y | -18dB | -14dB | -12dB | -10dB | Current |
| HFJ11-1G16ERL* | HFJ11-E1G16ERL* | D | None | -18dB | -14dB | -12dB | -10dB | Current |
| HFJ11-1G16E-L11RL* | HFJ11-E1G16E-L11RL* | D | G/G | -18dB | -14dB | -12dB | -10dB | Current |
| HFJ11-1G16E-L12RL* | HFJ11-E1G16E-L12RL* | D | G/Y | -18dB | -14dB | -12dB | -10dB | Current |
| HFJ11-1G41ERL* | HFJ11-E1G41ERL* | E | None | -18dB | -14dB | -12dB | -10dB | Voltage |
| HFJ11-1G41E-L11RL* | HFJ11-E1G41E-L11RL* | E | G/G | -18dB | -14dB | -12dB | -10dB | Voltage |
| HFJ11-1G41E-L12RL* | HFJ11-E1G41E-L12RL* | E | G/Y | -18dB | -14dB | -12dB | -10dB | Voltage |
| HFJ11-1G46ERL* | HFJ11-E1G46ERL* | F | None | -18dB | -14dB | -12dB | -10dB | Voltage |
| HFJ11-1G46E-L11RL* | HFJ11-E1G46E-L11RL* | F | G/G | -18dB | -14dB | -12dB | -10dB | Voltage |
| HFJ11-1G46E-L12RL* | HFJ11-E1G46E-L12RL* | F | G/Y | -18dB | -14dB | -12dB | -10dB | Voltage |

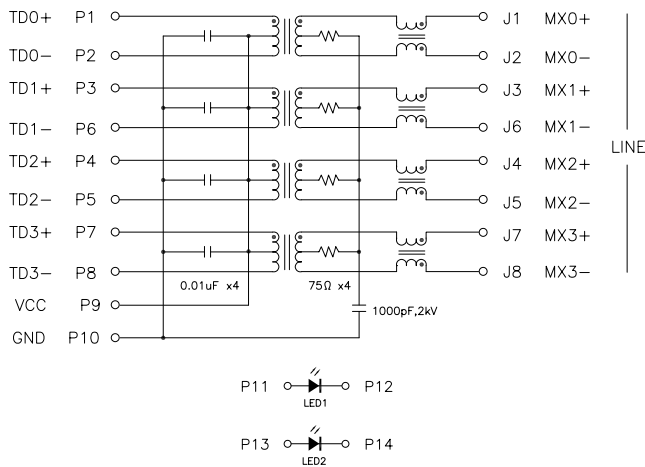
*Recommended for New Designs

Notes:

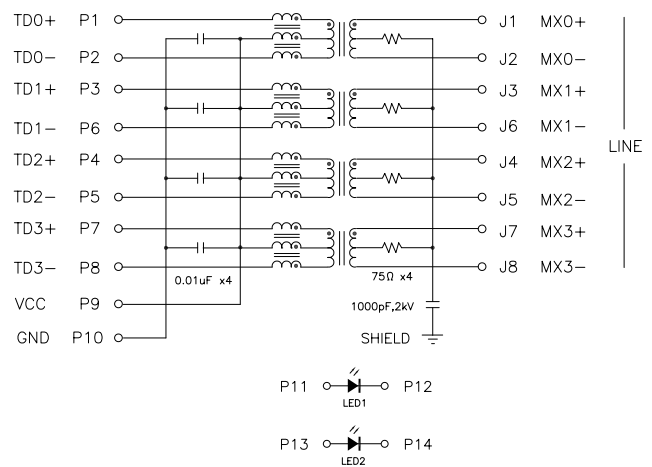
1. LED Key : G = Green, Y = Yellow
2. Other LED colors, bi-colors, polarities, and current limiting versions available
3. Unshielded and without ground shield tabs available
4. Part specific datasheets available
5. Tab-up versions available

HALO Gigabit Ethernet Family of FastJacks

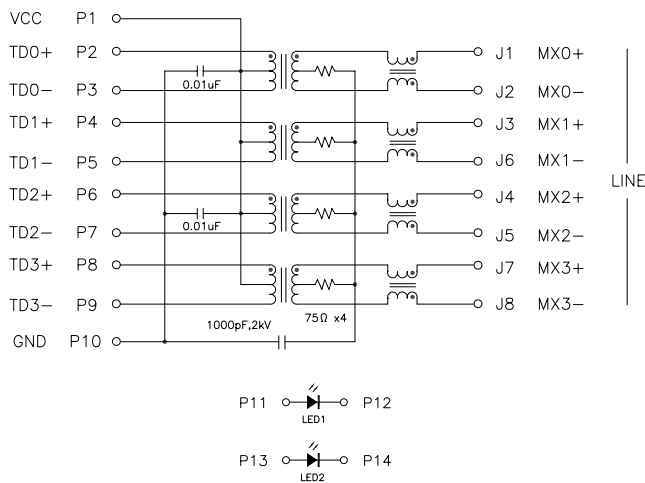
Circuit A



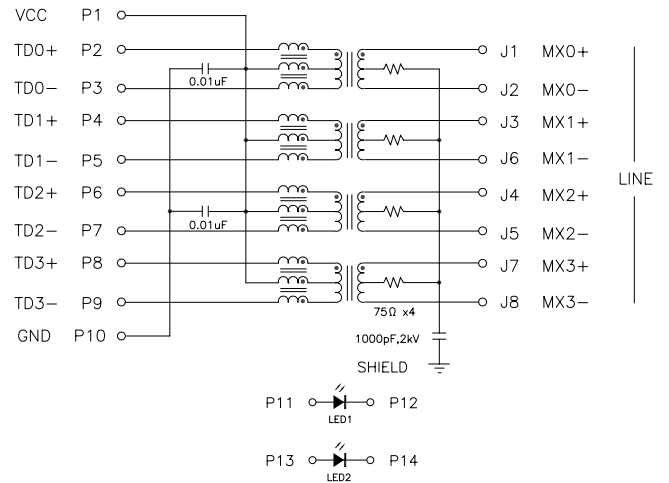
Circuit B



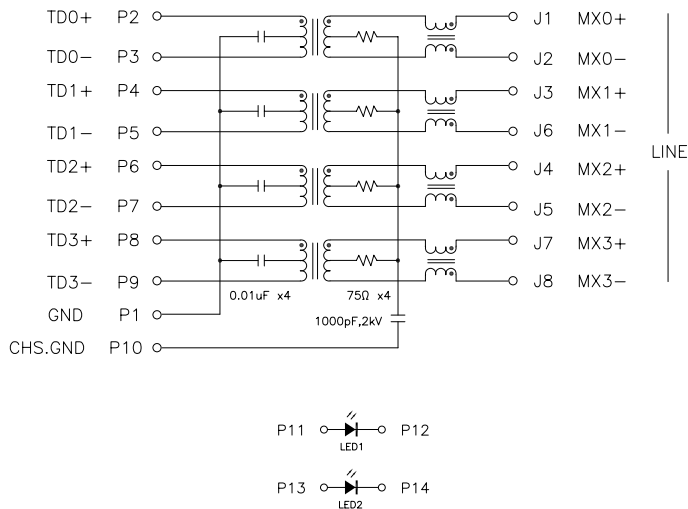
Circuit C



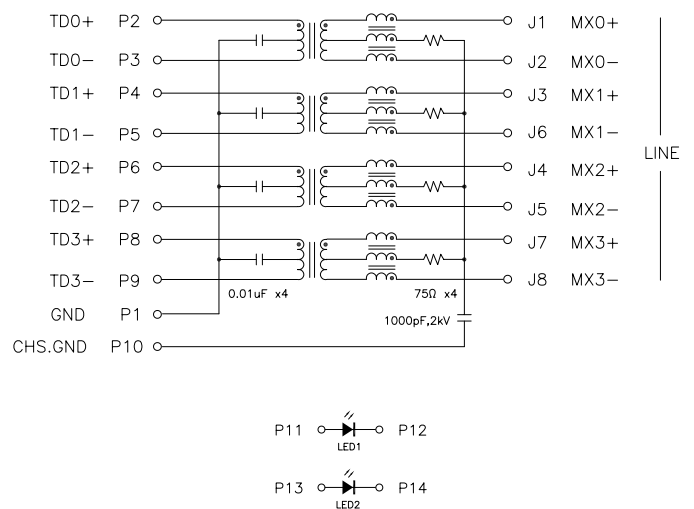
Circuit D

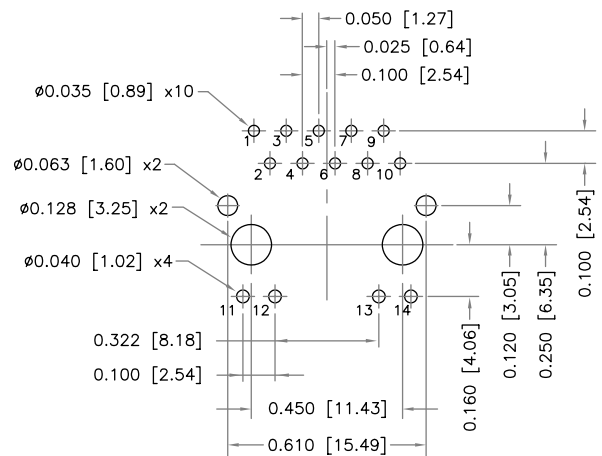
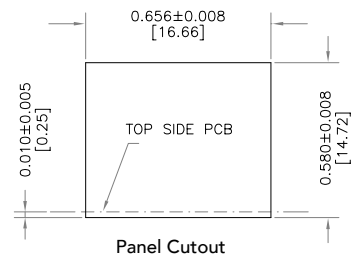
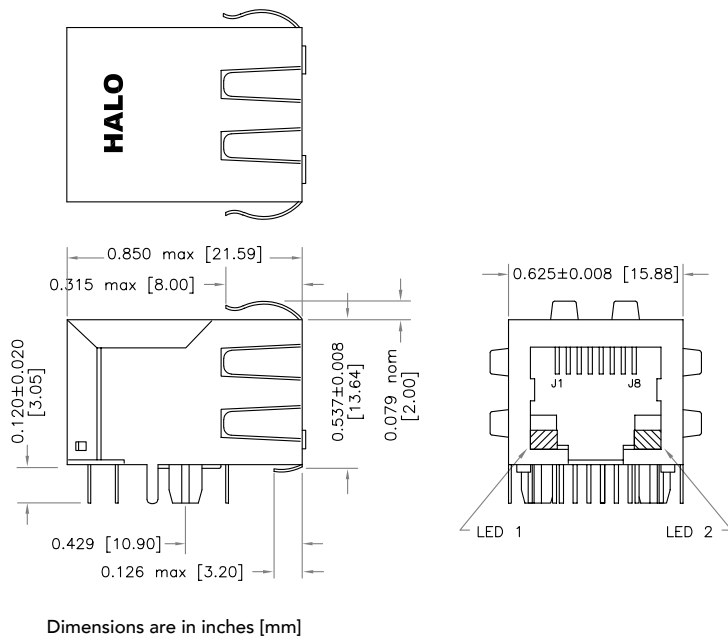


Circuit E



Circuit F





Recommended PCB Layout (Component Side)

* Parts numbers without LED's omit pins 11 through 14



2880 Lakeside Drive #116
 Santa Clara, CA 95054
 (650) 903-3800
www.haloelectronics.com

HALO® Electronics is a leading supplier of high quality communication magnetics including signal transformers, filters, CMR chokes, PoE power transformers, DC/DC converters, and integrated Ethernet connectors. HALO's leading edge technology solutions are manufactured in ISO9001 and ISO14001 factories offering high quality products at a competitive price.

Mouser Electronics

Authorized Distributor

Click to View Pricing, Inventory, Delivery & Lifecycle Information:

HALO Electronics:

[HFJ11-1G41E-L11RL](#) [HFJ11-E1G16ERL](#) [HFJ11-E1G16E-L12RL](#) [HFJ11-1G11E-L11RL](#) [HFJ11-1G01E-L12RL](#)
[HFJ11-1G06E-L12RL](#) [HFJ11-1G06ERL](#) [HFJ11-1G16E-L11RL](#) [HFJ11-1G41ERL](#) [HFJ11-1G01E-L11RL](#) [HFJ11-](#)
[1G06E-L11RL](#) [HFJ11-1G11E-L12RL](#) [HFJ11-1G11ERL](#) [HFJ11-1G01ERL](#) [HFJ11-1G41E-L12RL](#) [HFJ11-1G16ERL](#)
[HFJ11-1G16E-L12RL](#) [HFJ11-1G46E-L12RL](#) [HFJ11-E1G46ERL](#) [HFJ11-E1G06E-L11RL](#) [HFJ11-E1G41E-L11RL](#)
[HFJ11-E1G06E-L12RL](#) [HFJ11-1G46E-L11RL](#) [HFJ11-E1G41E-L12RL](#) [HFJ11-E1G11ERL](#) [HFJ11-E1G41ERL](#) [HFJ11-](#)
[E1G06ERL](#) [HFJ11-1G46ERL](#) [HFJ11-E1G11E-L12RL](#) [HFJ11-E1G46E-L12RL](#) [HFJ11-E1G46E-L11RL](#) [HFJ11-](#)
[E1G01E-L12RL](#) [HFJ11-E1G16E-L11RL](#) [HFJ11-E1G01ERL](#) [HFJ11-E1G11E-L11RL](#) [HFJ11-E1G01E-L11RL](#) [HFJ11-](#)
[1G01E-L21RL](#) [HFJ11-E1G41E-L21RL](#)