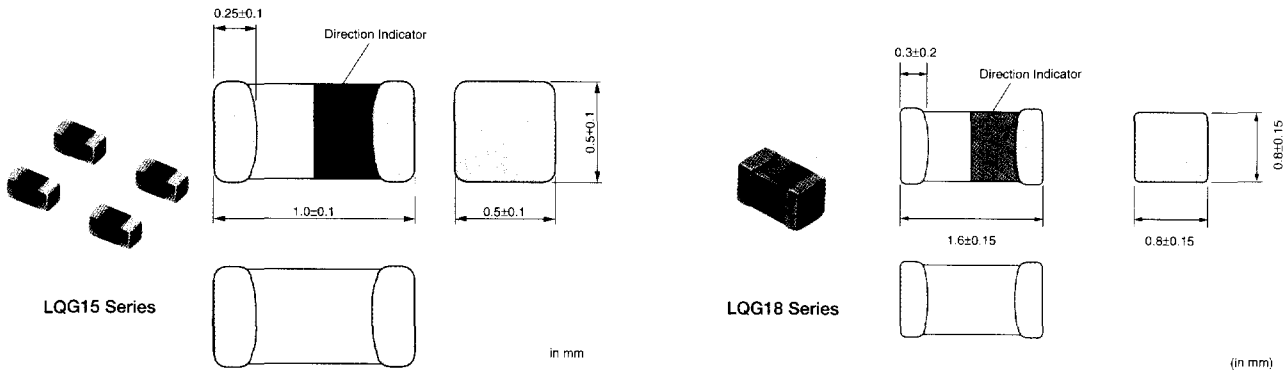


Coils/Delay Lines

Chip Coils

for High-frequency Monolithic Type

● LQG15H/LQG18H Series



| Part Number | Inductance (nH) | Rated Current (mA) | Max. of DC resistance (ohm) | Q (min.) | Self Resonance Frequency (MHz) |
|---------------|-------------------|--------------------|-----------------------------|--------------|--------------------------------|
| LQG15HN□□□J00 | 6.8 to 68 ±5% | 200 | 0.29 max | 8 at 100MHz | 4200 min. |
| LQG15HN□□□S00 | 1.2 to 5.6 ±0.3nH | 200 | 0.10 max | 8 at 100MHz | 6000 min. |
| LQG18HN□□□J00 | 6.8 to 100 ±5% | 300 | 0.25 max | 12 at 100MHz | 5000 min. |
| LQG18HN□□□S00 | 1.2 to 5.6 ±0.3nH | 300 | 0.1 max | 12 at 100MHz | 6000 min. |

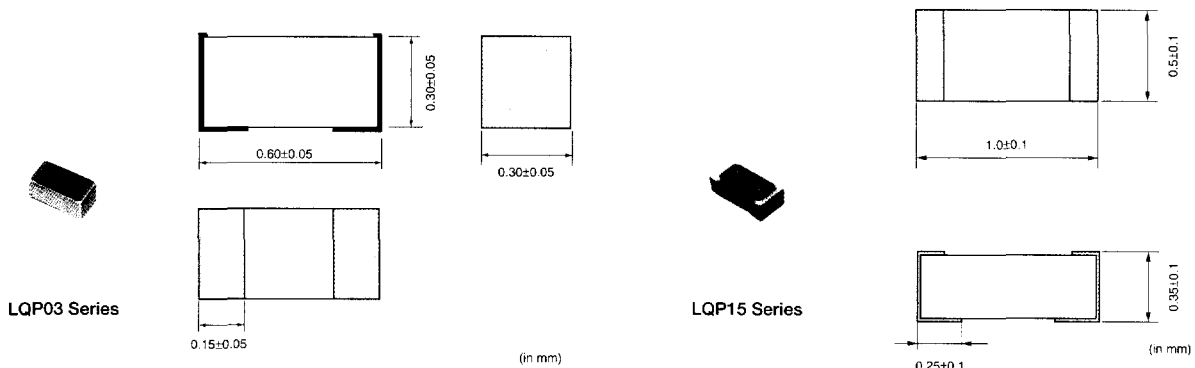
Min. of Operating Temp. : -40°C to 85°C

Three blank columns are filled with inductance code.

Chip Coils

for High-Frequency Film Type

● LQP03T/LQP15M Series



| Part Number | Inductance (nH) | Rated Current (mA) | Max. of DC resistance (ohm) | Q (min.) | Self Resonance Frequency (MHz) |
|---------------|-------------------|--------------------|-----------------------------|--------------|--------------------------------|
| LQP03TN□□□C00 | 0.6 to 3.3 ±0.2nH | 420 | 0.08 | 11 at 500MHz | 6000 min. |
| LQP03TN□□□J00 | 4.7 to 15 ±5% | 160 | 0.55 | 11 at 500MHz | 6000 min. |
| LQP15MN□□□B00 | 1.0 to 9.1 ±0.1nH | 400 | 0.1 | 13 at 500MHz | 6000 min. |
| LQP15MN□□□C00 | 1.0 to 9.1 ±0.2nH | 400 | 0.1 | 13 at 500MHz | 6000 min. |
| LQP15MN□□□G00 | 10 to 33 ±2% | 100 | 1.3 | 13 at 500MHz | 4500 min. |

Min. of Operating Temp. : -40°C to +85°C

Three blank columns are filled with inductance code.

Mouser Electronics

Authorized Distributor

Click to View Pricing, Inventory, Delivery & Lifecycle Information:

Murata:

[LQG15HN15NJ00D](#) [LQG15HN1N5S00D](#) [LQG15HN4N7S00D](#) [LQG15HN10NJ00D](#) [LQG15HN12NJ00D](#)
[LQG15HN18NJ00D](#) [LQG15HN1N2S00D](#) [LQG15HN1N8S00D](#) [LQG15HN22NJ00D](#) [LQG15HN27NJ00D](#)
[LQG15HN2N2S00D](#) [LQG15HN2N7S00D](#) [LQG15HN33NJ00D](#) [LQG15HN3N3S00D](#) [LQG15HN3N9S00D](#)
[LQG15HN5N6S00D](#) [LQG15HN68NJ00D](#) [LQG15HN6N8J00D](#) [LQG15HN8N2J00D](#)