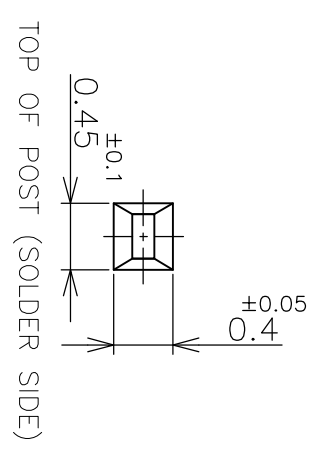
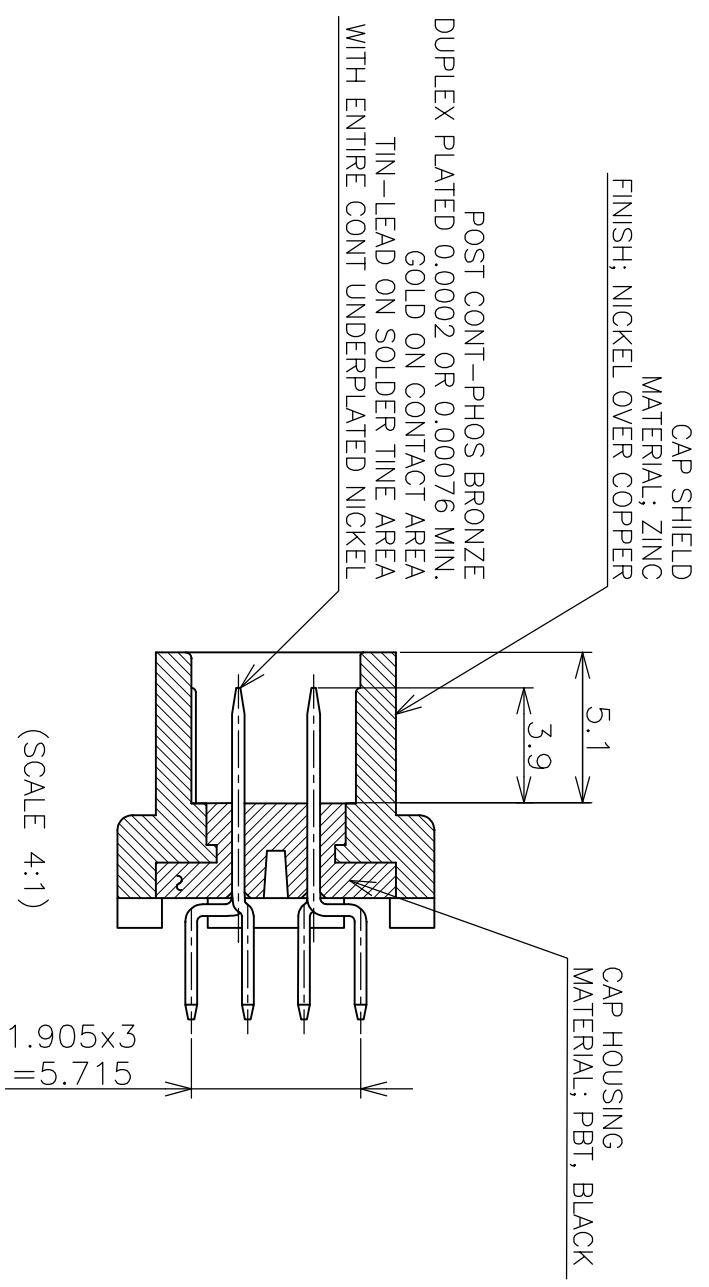
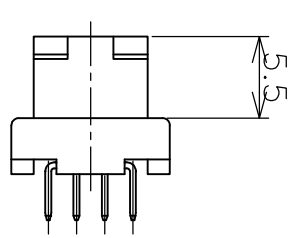
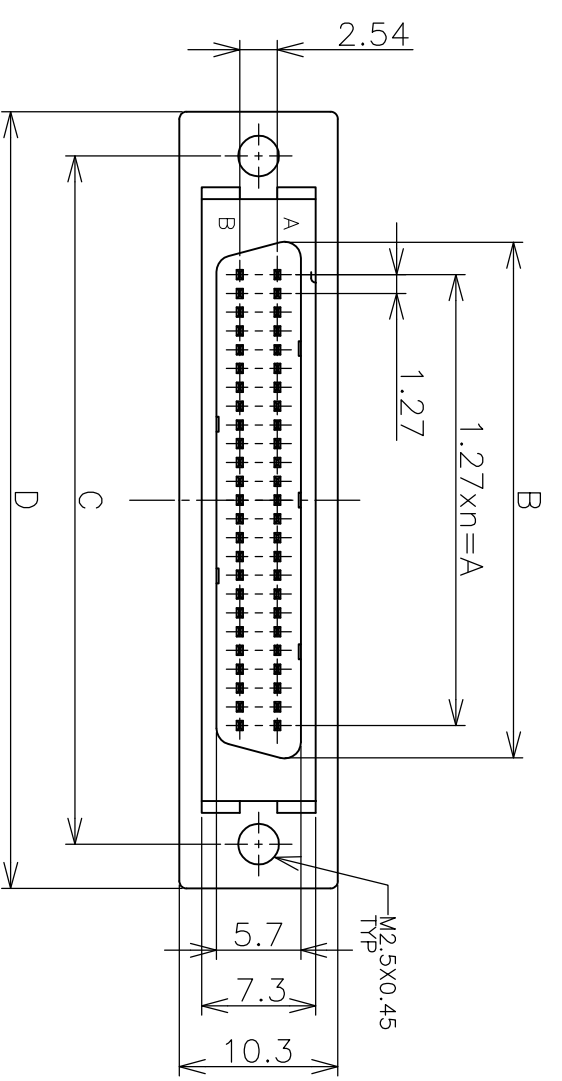
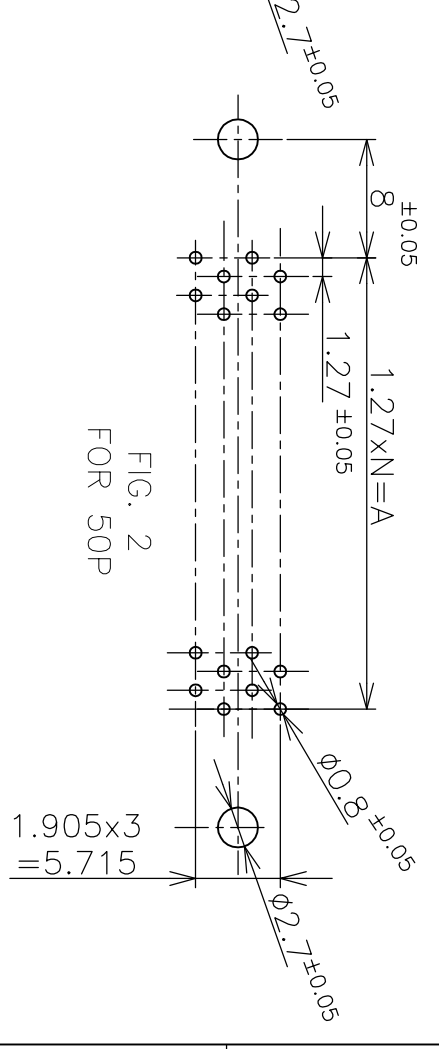
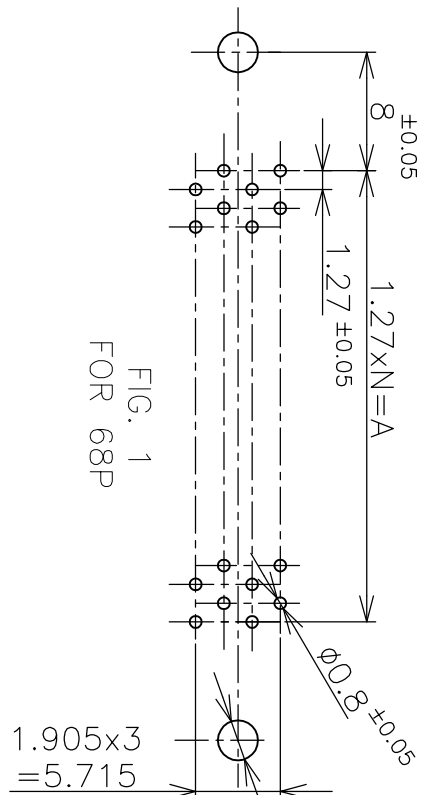
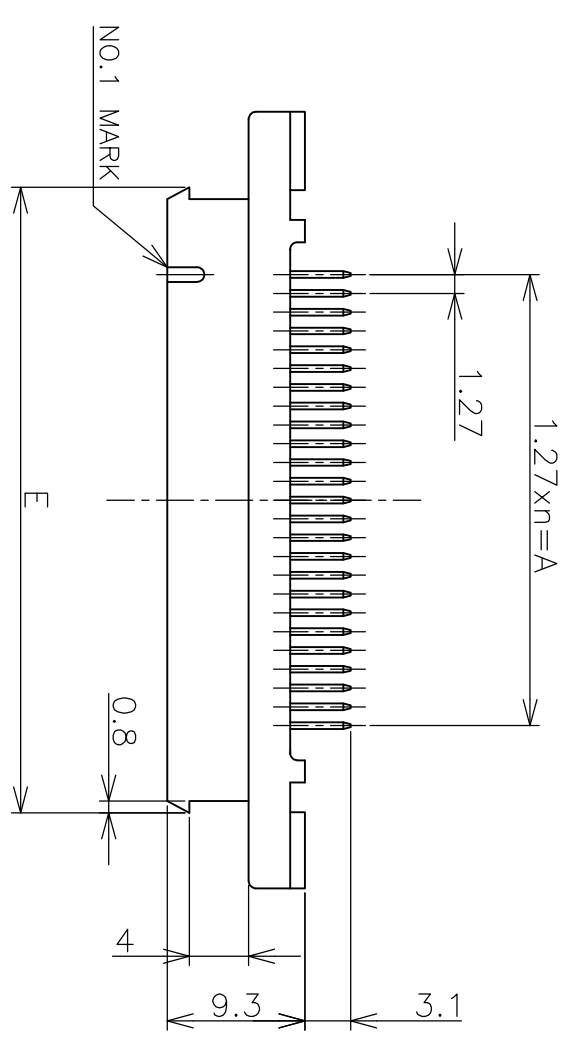


LOC		DIST		REVISONS		DATE	DWN	APVD
P	LTR	P	LTR	DESCRIPTION	DATE	DWN	APVD	
J		D1	REVISED	ECR-07-014069	03JUL07	T.Z	S.Y	



GENERAL TOLERANCE	10 ± ±0.2	30 ≥ >10: ±0.25	100 ≥ >30: ±0.3	ANGLES: ±3°				
68	33	41.91	46.28	57.9	63.9	53.71	0.00076	2-174339-5
50	24	30.48	34.85	46.5	52.5	42.28	MIN	2-174339-4
68	33	41.91	46.28	57.9	63.9	53.71	0.0002	174339-5
50	24	30.48	34.85	46.5	52.5	42.28	MIN	174339-4
POS	N	A	B	C	D	E	GOLD THK	PART NO.

(SCALE 20:1)

THIS DRAWING IS A CONTROLLED DOCUMENT.

DIMENSIONS:	MM	TOLERANCES UNLESS OTHERWISE SPECIFIED:
0 PLC		±
1 PLC		±
2 PLC		±
3 PLC		±
4 PLC		±
ANGLES		±
FINISH		±

- 1 P.C BOARD HOLE LAY-OUT AS SHOWN FIG.1 & 2.
- 2 USED SCREW; M2.5x0.45 PANHEAD SCREW.
- 3 CONNECTOR TO BE MATED; X-174340-X

MATERIAL	SEE ABOVE	FINISH	SEE ABOVE
APVD	H.KODAMA	16DEC03	16DEC03
CHK	T.FUJITSUGI	16DEC03	16DEC03
DWN	H.TAGUCHI	16DEC03	16DEC03

A

B

C

D

A

B

C

D

Mouser Electronics

Authorized Distributor

Click to View Pricing, Inventory, Delivery & Lifecycle Information:

[TE Connectivity:](#)

[2-174339-5](#)