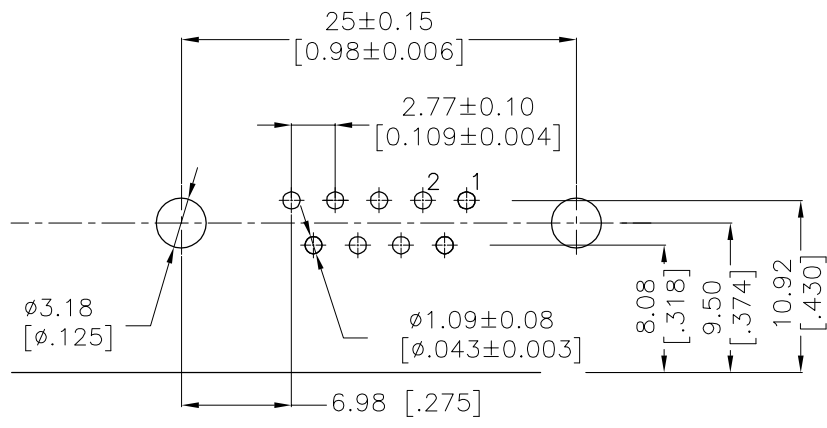


REVISIONS				
P	LTR	DESCRIPTION	DATE	APVD
D		REVISED PER ECO-18-008015	24MAY2018	AP DG

RECOMMENDED PCB LAYOUT
 TOLERANCE IS ±0.05

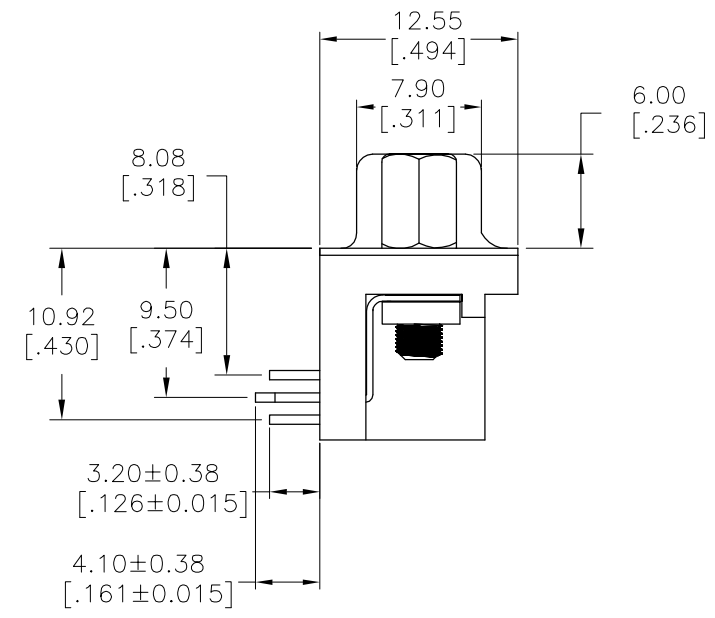
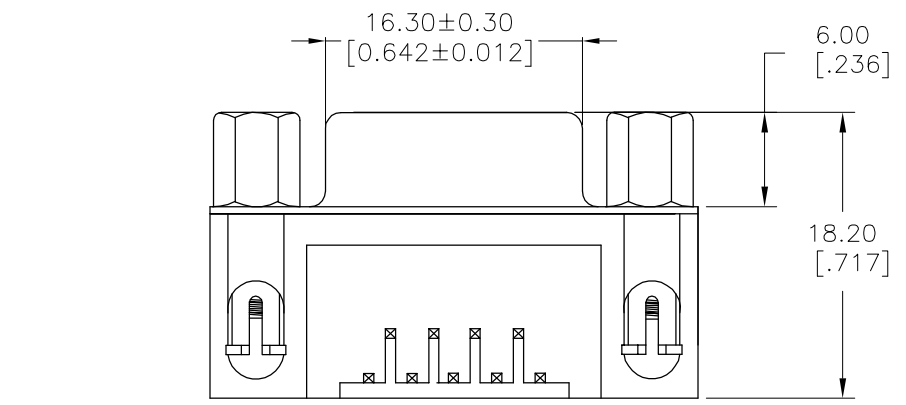
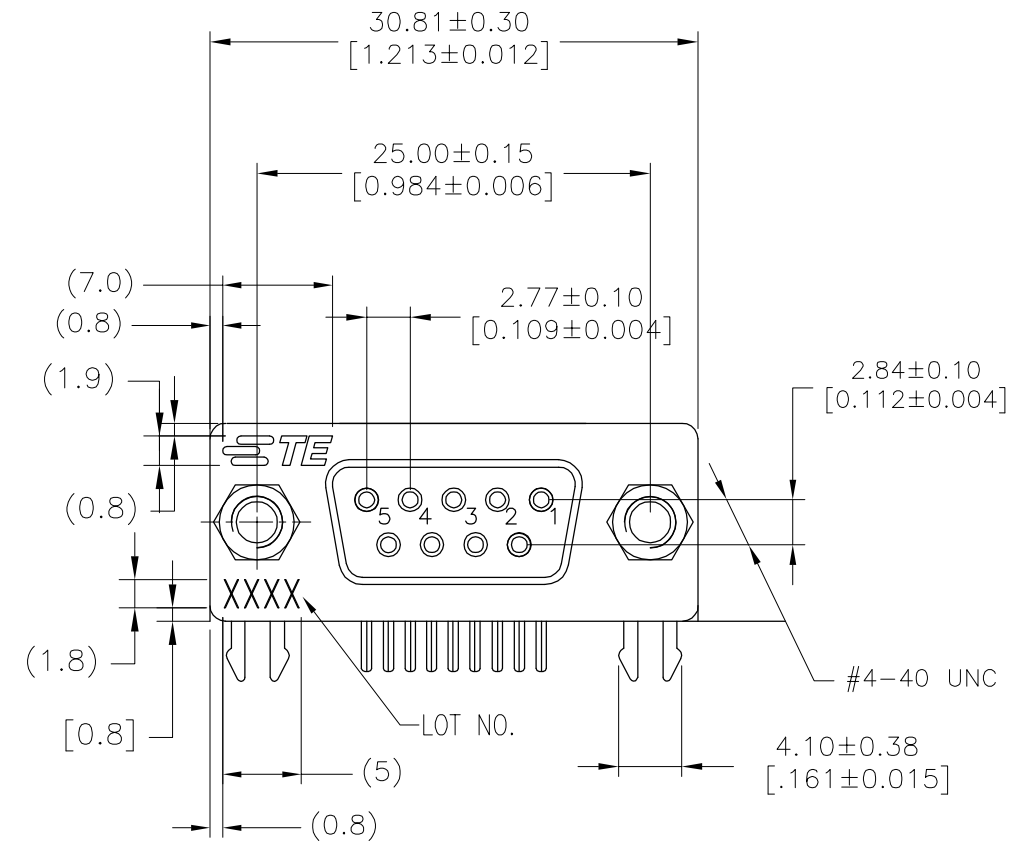


NOTES:

HOUSING:PA9T+GF(UL94V-0) BLACK
 CONTACT:PHOSPHOR BRONZE
 " GOLD PLATING ON CONTACT AREA
 100u" MATTE TIN PLATING ON SOLDER TAIL
 50u" NICKEL UNDERPLATED OVERALL

HOLDDOWN:BRASS,100u" TIN OVER 50u" NICKEL
 SHELL:SPCC,NICKEL PLATED
 RIVET:BRASS,NICKEL PLATED
 SCREWLOCK:BRASS,NI PLATED

LOT NUMBER "XXXX"
 STANDS FOR CALENDAR YEAR
 STANDS FOR WEEK NUMBER



YES	15µ" Au	2311765-2
YES	Au Flash	2311765-1
SCREWLOCK	Contact Area Plating	P/N

THIS DRAWING IS A CONTROLLED DOCUMENT.		DWN AJITH PAI 22FEB2017	TE Connectivity	
DIMENSIONS: mm [INCHES]		CHK DANIEL GORENC 22FEB2017		
TOLERANCES UNLESS OTHERWISE SPECIFIED:		NAME AMPLIMITE RECEPTACLE, HD20, RIGHT ANGLE, 9P		
0 PLC ± - 1 PLC ± - 2 PLC ± 0.25 3 PLC ± - 4 PLC ± - ANGLES ± - FINISH -		PRODUCT SPEC 108-130023		
MATERIAL		APPLICATION SPEC		
		SIZE CAGE CODE DRAWING NO RESTRICTED TO A2 00779 C-2311765 -		
		WEIGHT		
		CUSTOMER DRAWING SCALE 3:1 SHEET 1 of 1 REV D		

Mouser Electronics

Authorized Distributor

Click to View Pricing, Inventory, Delivery & Lifecycle Information:

[TE Connectivity:](#)

[2311765-1](#)