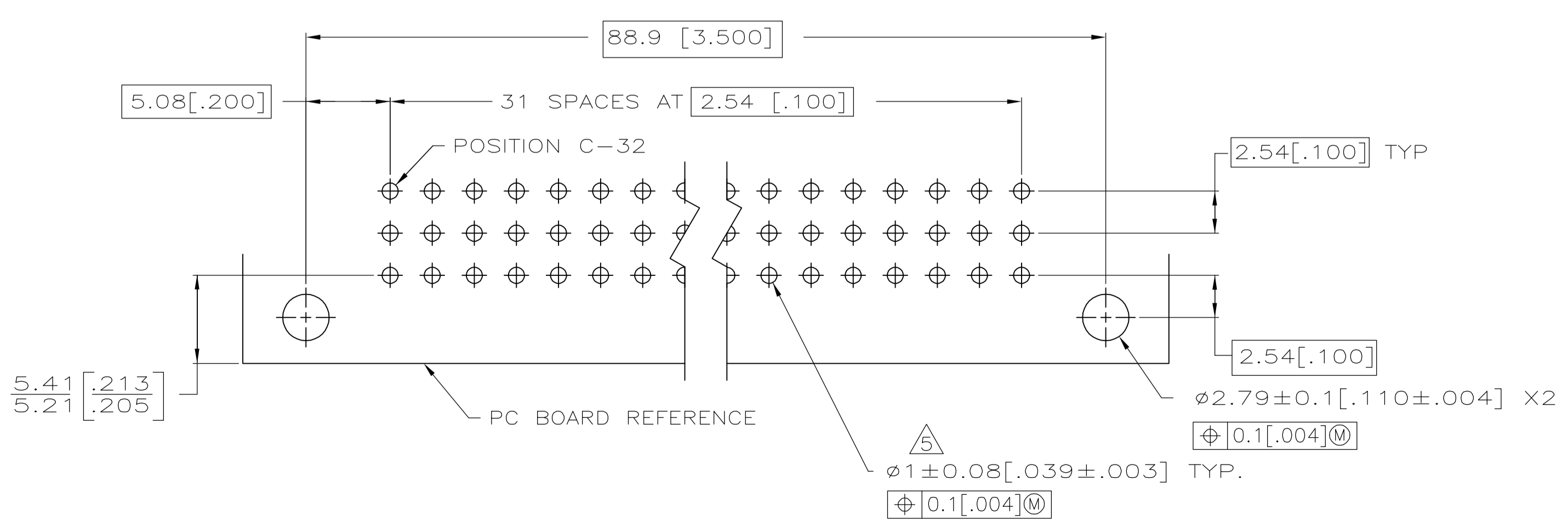
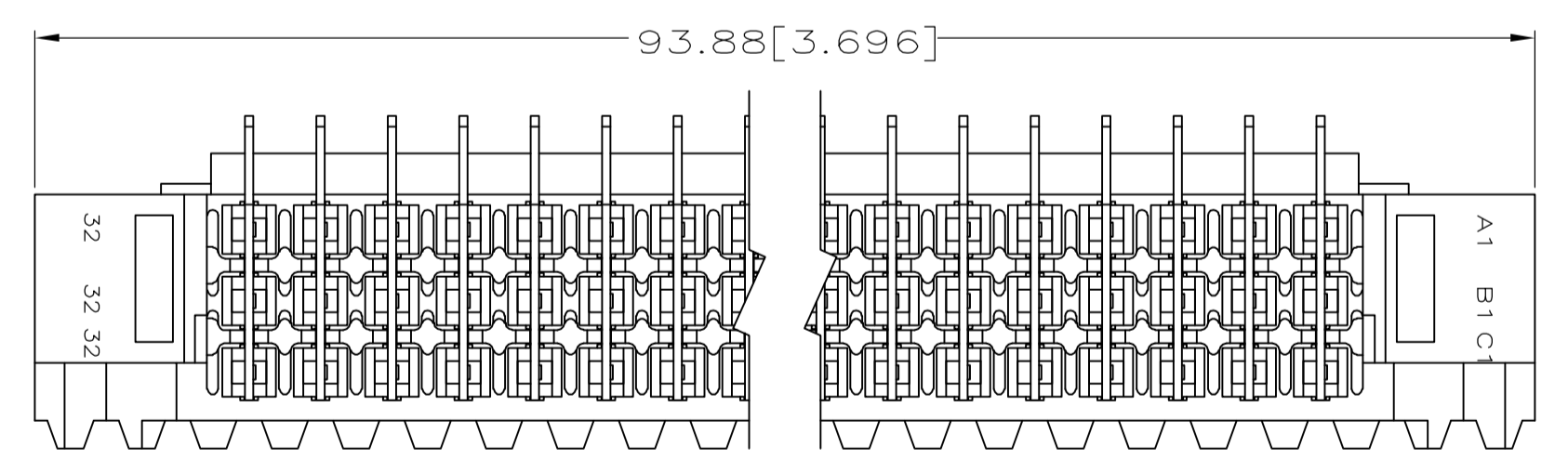


SECTION Y-Y



PC BOARD LAYOUT

1. DIMENSIONS IN BRACKETS ARE IN INCHES.
2. HOUSING MATERIAL: GLASS-FILLED POLYESTER. COLOR: GRAY.
3. CONTACT MATERIAL: PHOSPHOR BRONZE.
4. CONTACT FINISH: 0.00076[.000030] GOLD IN CONTACT AREA. 0.00127[.000050] NICKEL UNDERPLATE ALL OVER. TIN-LEAD ON POSTS.
5. RECOMMENDED HOLE SIZE FOR MANUAL APPLICATION OF CONNECTOR ONTO PC BOARD.
6. PART NUMBER, DATE CODE IDENTIFICATION, CSA LOGO HOT-STAMPED THIS APPROXIMATE AREA.
7. CONTACT POINT.
8. HOT-STAMPING ON THIS SIDE.
9. CONTACT FINISH: DIN 41612 CLASS 3 IN CONTACT AREA. TIN-LEAD ON POSTS.
10. CONTACT FINISH: 0.00127[.000050] GOLD IN CONTACT AREA. 0.00127[.000050] NICKEL UNDERPLATE ALL OVER. TIN-LEAD ON POSTS.
11. CONTACT FINISH: DIN 41612 CLASS 2 IN CONTACT AREA. TIN-LEAD ON POSTS.

OBSELETE	9	1 THRU 32	X	X	X	96	650461-9
OBSELETE	11	1 THRU 32	X	X	X	96	650461-6
	11	1 THRU 32	X	X	X	96	650461-5
	4	1 THRU 32	X	X	X	96	650461-4
	10	1 THRU 32	X	X	X	96	650461-1
NOTES	POSITIONS LOADED	C	B	A	NO. OF LOADED POSITION	ASSY PART NUMBER	
THIS DRAWING IS A CONTROLLED DOCUMENT.		DIN L BRINER 13MAR90	Tyco Electronics Corporation		Harrisburg, PA 17105-3608		
DIMENSIONS: mm[INCHES]		TOLERANCES UNLESS OTHERWISE SPECIFIED:	APVD N DRASHER 240CT90		NAME RECEPTACLE ASSEMBLY, EUROCARD, TYPE R, 96 POSITION		
0 PLC ± - 1 PLC ± - 2 PLC ± - 3 PLC ± 0.13[.005] 4 PLC ± - ANGLES ± -		APPLICATION SPEC		SIZE CASE CODE DRAWING NO			RESTRICTED TO
MATERIAL		FINISH		WEIGHT		A1 00779 C=650461	
2 3		4 9 10 11		CUSTOMER DRAWING		SCALE 4:1	SHEET 1 OF 1 REV R