

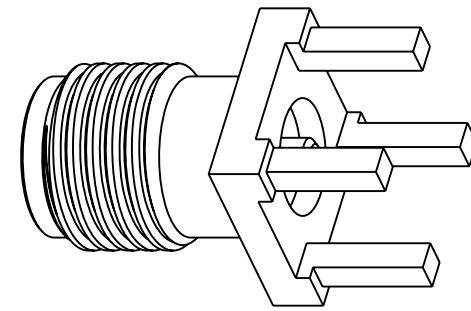
NOTES:

1. MATERIALS AND FINISHES:  
 BODY - BRASS, GOLD PLATING  
 CONTACT - BERYLLIUM COPPER, GOLD PLATING  
 INSULATOR - PTFE, NATURAL
2. ELECTRICAL:  
 A. IMPEDANCE: 50 OHM  
 B. FREQUENCY RANGE: 0-12.4 GHz  
 C. VSWR (RETURN LOSS): 1.3 MAX.  
 D. DIELECTRIC WITHSTANDING VOLTAGE: 1000 VRMS, MIN.
3. MECHANICAL:  
 A. DURABILITY: 500 CYCLES MIN.  
 B. TEMPERATURE RANGE: - 65°C to +165 °C

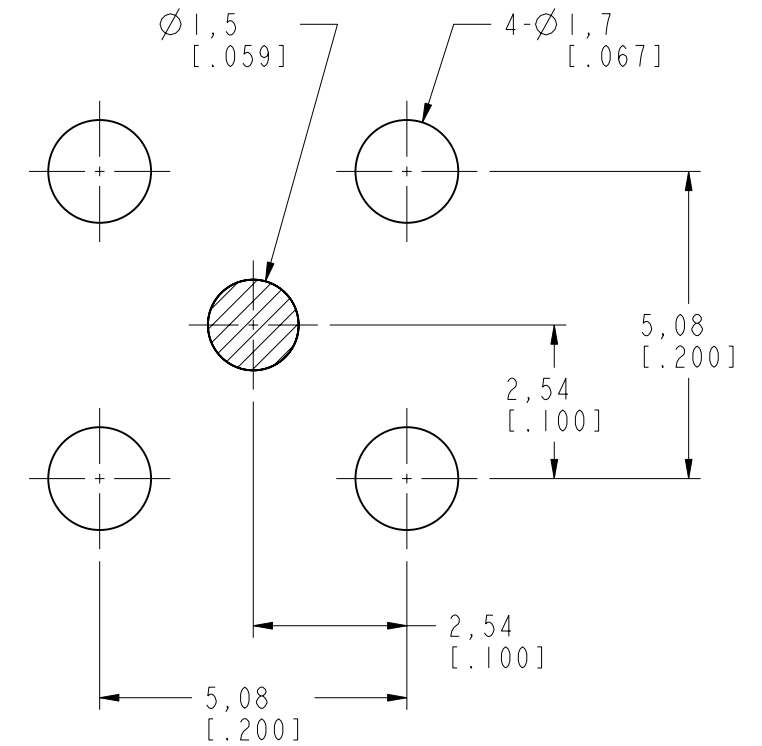
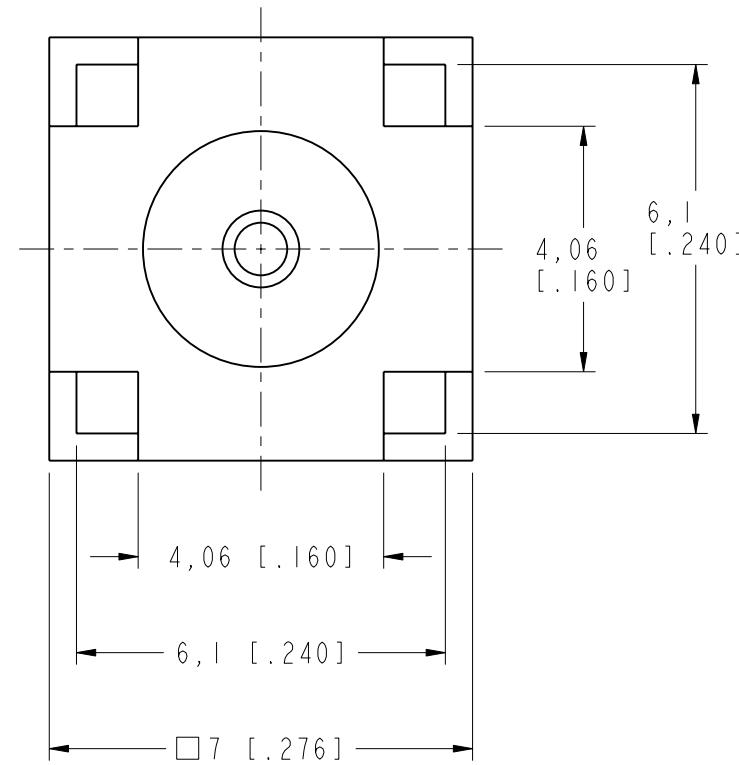
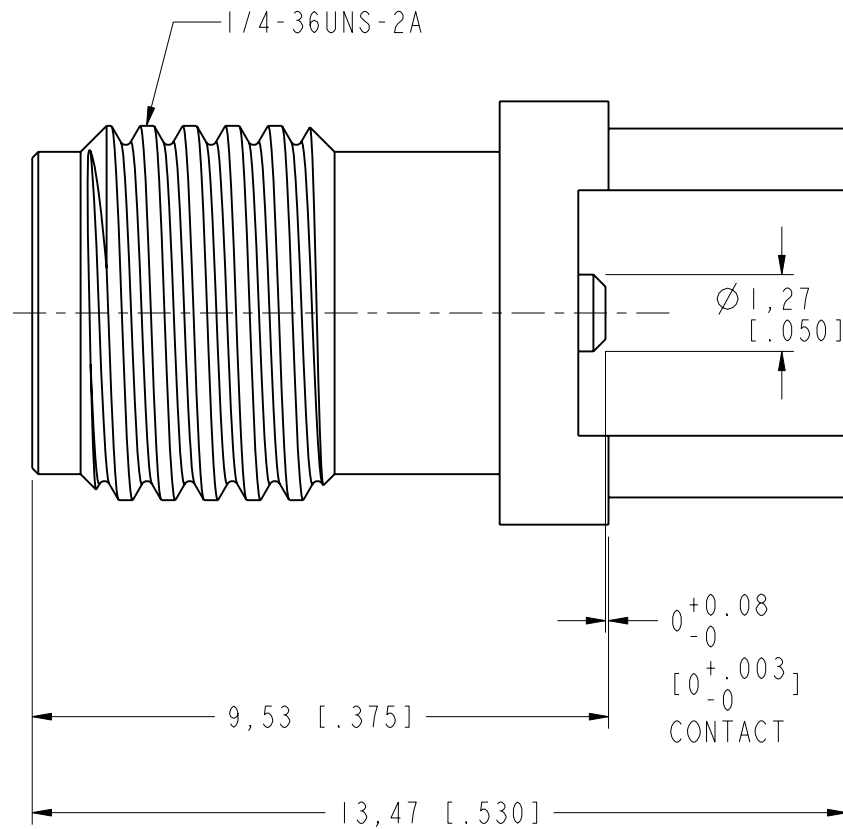
THIRD ANGLE PROJ.

REVISIONS

REV	DESCRIPTION	DATE	ECO	APPR
NC	INITIAL RELEASE	06-Apr-06	-----	GRS
A	REVISE CONTACT DIMENSION TO .0 ~.30	14-Nov-06	-----	GRS
B	REVISE CONTACT DIMENSION TO .00	17-Jan-07	-----	GRS
C	REVISE OUT BODY SHAPE	15-Sep-08	-----	GRS
D	REVISE PCB MOUNT HOLES, UPDATE DRAWING FORMAT	27-Jun-14	-----	MZ



SCALE 4.000



PCB MOUNTING HOLES

**CUSTOMER OUTLINE DRAWING**

ALL OTHER SHEETS ARE FOR INTERNAL USE ONLY

UNLESS OTHERWISE SPECIFIED, DIMENSIONS ARE IN METRIC AND TOLERANCES ARE: <0.5mm ±0.05mm    0.5 - 6mm ±0.1mm    6 - 30mm ±0.2mm    30 - 120mm ±0.3mm    ANGLES ±1°	MATERIAL	DRAWN M. ZHANG	DATE 27-Jun-14	TITLE SMA P.C.B JACK - SURFACE MOUNT CENTER CONTACT (EXTENDED LEGS)	<b>Amphenol Connex</b>
	REFERENCE SMA6251A1-075-3GT50G-50	ENGINEER S. DUAN	DATE 27-Jun-14		
NOTICE - These drawings, specifications, or other data (1) are, and remain the property of Amphenol corp. (2) must be returned upon request; and (3) are confidential and not to be disclosed to any person other than those to whom they are given by Amphenol Corp. the furnishing of these drawings, specifications, or other data by Amphenol Corp., or to any other person to anyone for any purpose is not to be regarded by implication or otherwise in any manner licensing, granting rights to permitting such holder or any other person to manufacture, use or sell any product, process or design, patented or otherwise, that may in any way be related to or disclosed by said drawings, specifications, or other data.	CONFIGURATION LEVEL:	APPROVED S. HSIEH	DATE 27-Jun-14	SCALE: 8.0:1.0	SHEET 1 OF 1
	FINISH	CAD FILE	DWG SIZE B	REV D	ITEM NO.

# Mouser Electronics

Authorized Distributor

Click to View Pricing, Inventory, Delivery & Lifecycle Information:

[Amphenol:](#)

[132134-15](#)