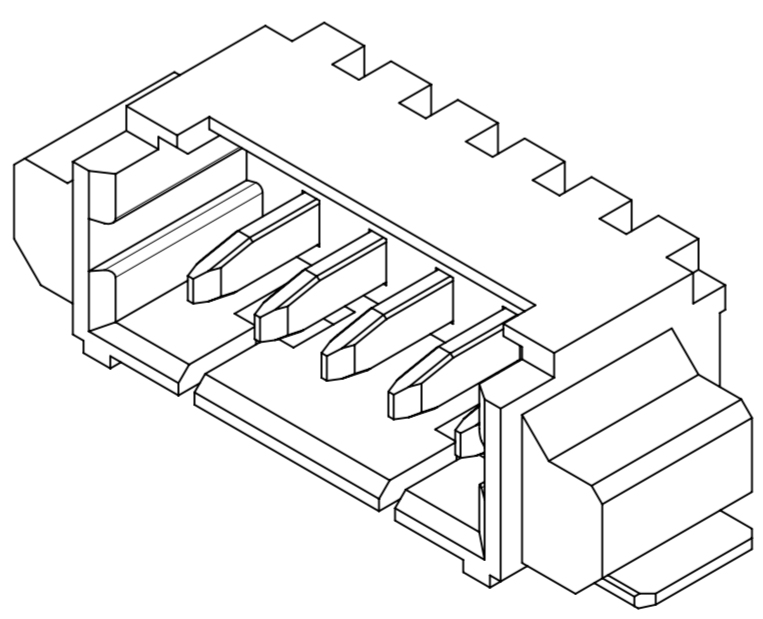
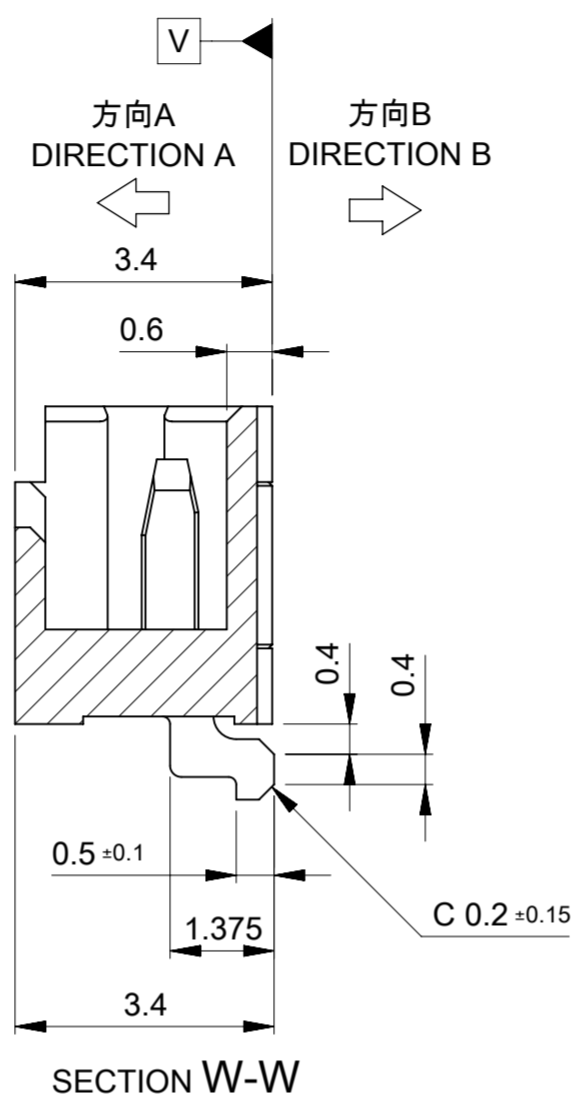
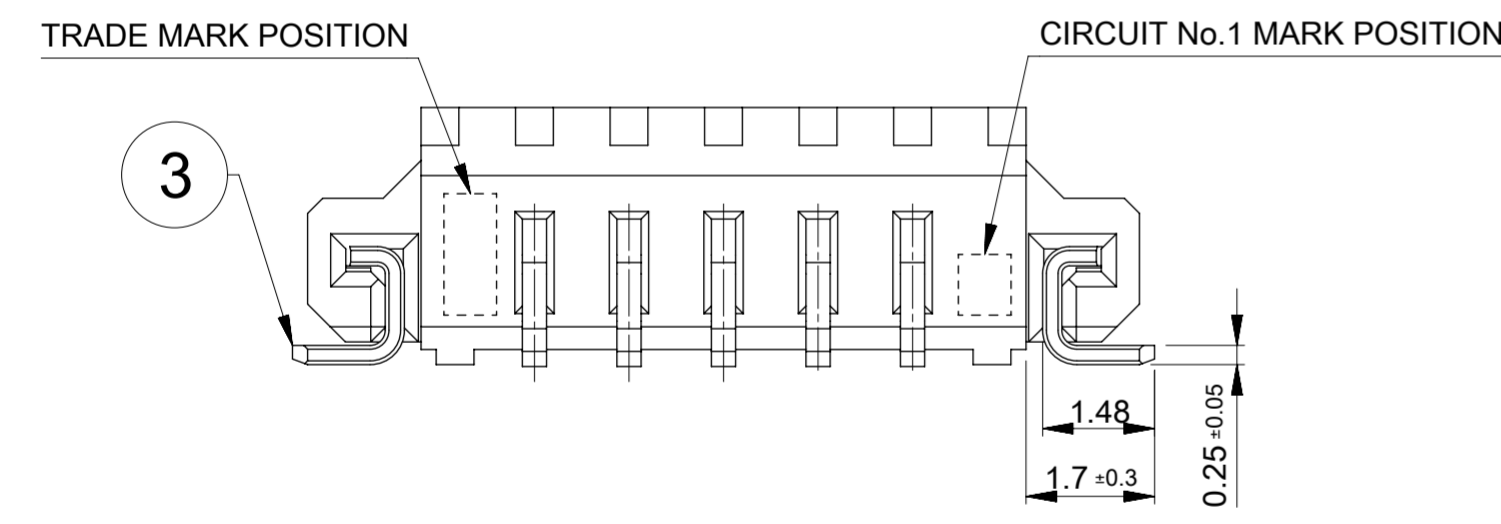
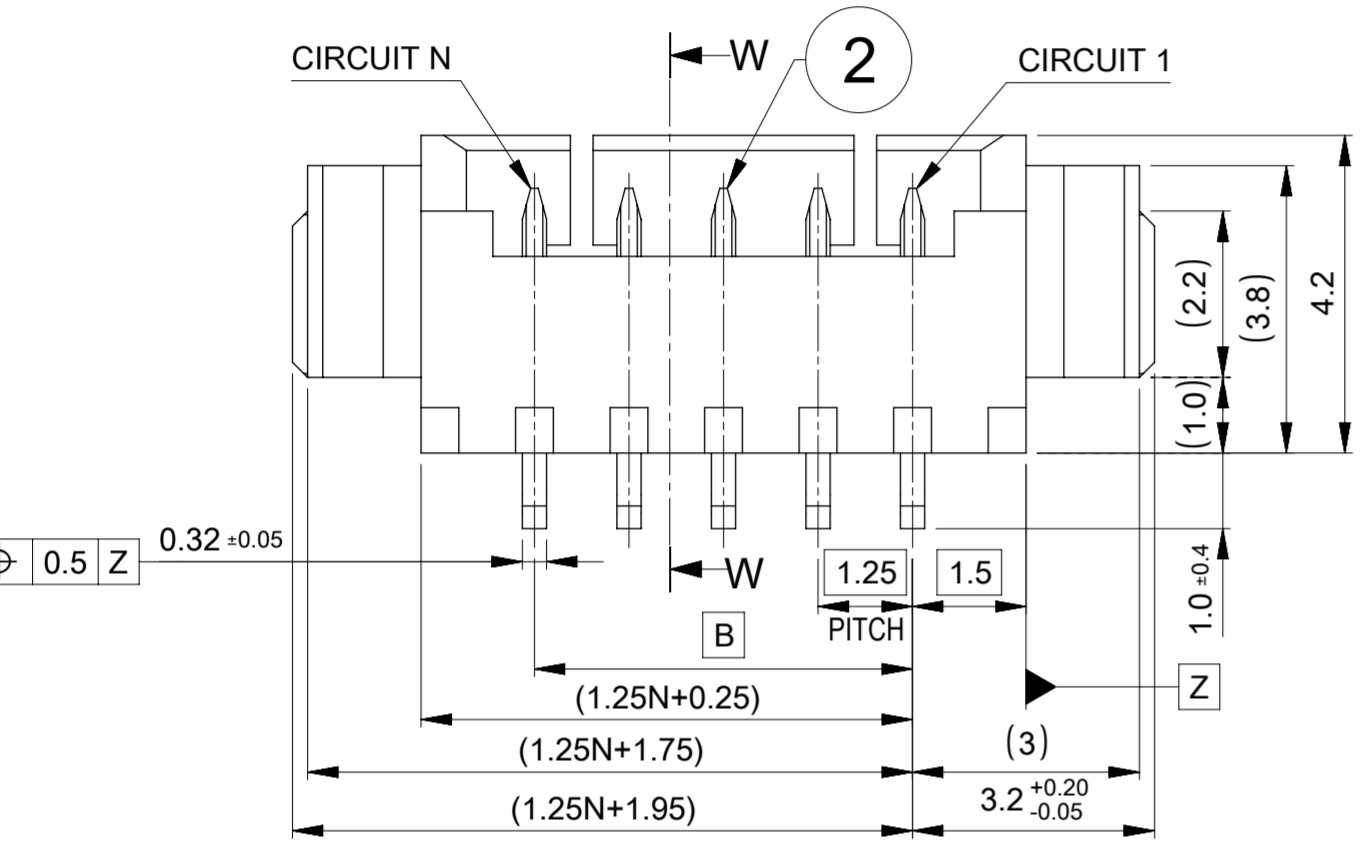
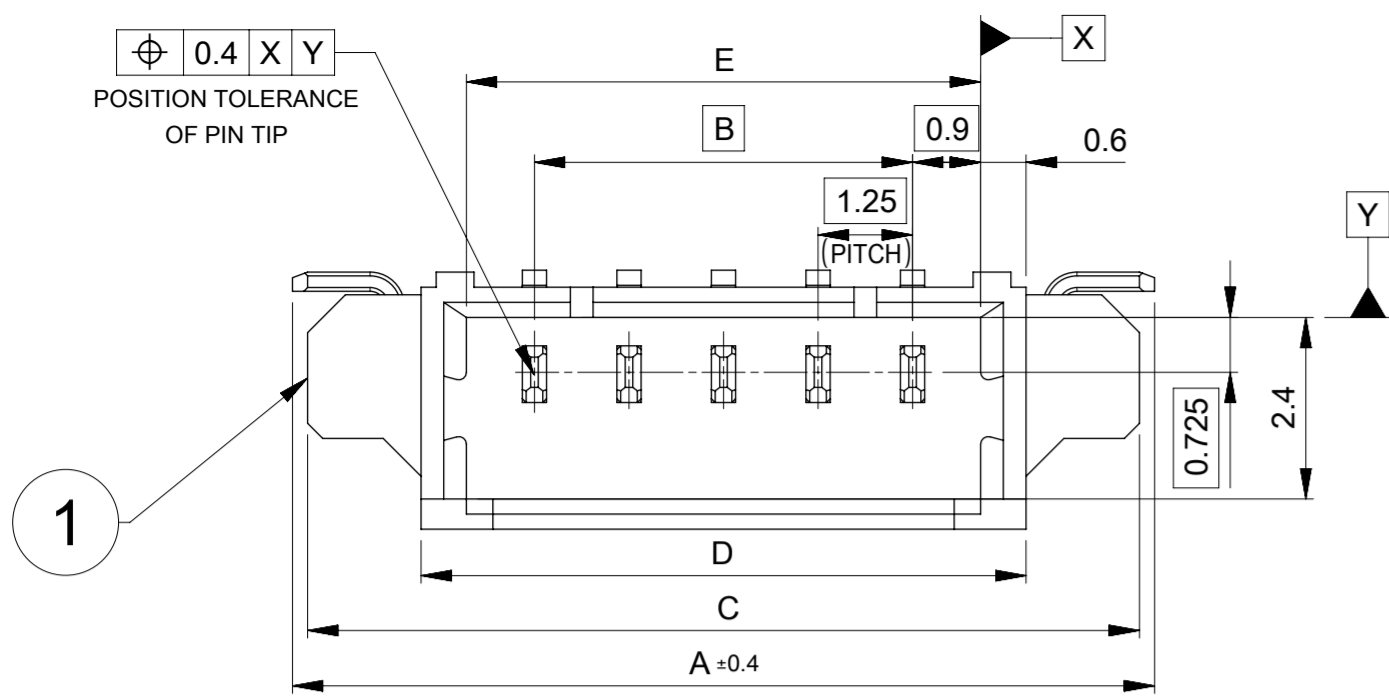
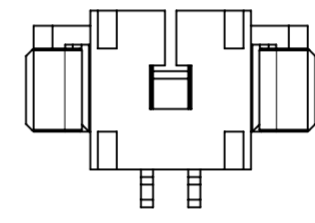


⊕ 0.4 X Y
POSITION TOLERANCE
OF PIN TIP

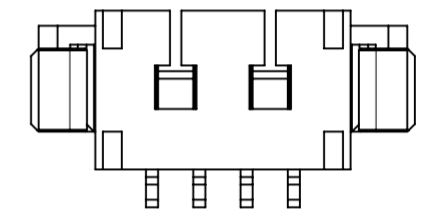


NOTES

- 1. 材料およびめっき仕様：TABLE 1 参照
MATERIAL AND PLATING：REFER TO TABLE 1
- 2. 適用製品及び各種仕様書はSHEET 5を参照のこと
REFER TO SHEET 5 ABOUT APPLICABLE PRODUCTS AND VARIOUS SPECIFICATIONS
- 3. 梱包形態：SHEET 3 参照
PACKAGING INFORMATION：SEE SHEET 3
- 4. テールおよびネイルのズレは基準面 V に対しA方向に0.05 MAX、B方向に0.1 MAX
MISALIGNMENT OF TAILS AND NAILS FROM V, DIRECTION A: 0.05 MAX, DIRECTION B: 0.1 MAX
- 5. 端子テール部およびネイルの平坦度は0.1以下
COPLANARITY OF TAIL AND NAIL TO BE 0.1 MAX
- 6. 本製品は錫めっき品です。金めっき品は532610000-SD 000をご参照ください
THIS PRODUCT IS TIN PLATING TYPE. PLEASE REFER TO 532610000-SD FOR GOLD PLATING TYPE.
- 7. ロックの数は、2,3極は1ロック、4極以上は2ロック。
LOCKING WINDOW: ONE PLACE FOR 2 AND 3 CIRCUIT, AND TWO PLACES FOR MORE THAN 4 CIRCUIT.



2, 3極形状 (1ロック)
FIGURE OF 2, 3 CIRCUIT (1 LOCK)



4極以上ロック形状 (2ロック)
FIGURE OF MORE THAN 4 CIRCUIT (2 LOCKS)

| | | | | | | |
|-------|-------|-------|-------|-------|--|--------------------|
| 21.8 | 23 | 26 | 20 | 26.4 | 532611771 | 17 |
| 19.3 | 20.5 | 23.5 | 17.5 | 23.9 | 532611571 | 15 |
| 18.05 | 19.25 | 22.25 | 16.25 | 22.65 | 532611471 | 14 |
| 16.8 | 18 | 21 | 15 | 21.4 | 532611371 | 13 |
| 15.55 | 16.75 | 19.75 | 13.75 | 20.15 | 532611271 | 12 |
| 14.3 | 15.5 | 18.5 | 12.5 | 18.9 | 532611171 | 11 |
| 13.05 | 14.25 | 17.25 | 11.25 | 17.65 | 532611071 | 10 |
| 11.8 | 13 | 16 | 10 | 16.4 | 532610971 | 9 |
| 10.55 | 11.75 | 14.75 | 8.75 | 15.15 | 532610871 | 8 |
| 9.3 | 10.5 | 13.5 | 7.5 | 13.9 | 532610771 | 7 |
| 8.05 | 9.25 | 12.25 | 6.25 | 12.65 | 532610671 | 6 |
| 6.8 | 8 | 11 | 5 | 11.4 | 532610571 | 5 |
| 5.55 | 6.75 | 9.75 | 3.75 | 10.15 | 532610471 | 4 |
| 4.3 | 5.5 | 8.5 | 2.5 | 8.9 | 532610371 | 3 |
| 3.05 | 4.25 | 7.25 | 1.25 | 7.65 | 532610271 | 2 |
| E | D | C | B | A | 発注番号 ORDER NO. 梱包形態：エンボス梱包 PACKAGING：EMBOSSED TAPE AND REEL | 極数 CIRCUIT SIZE |

TABLE 1

| 番号 NO. | 部品 PART | 材質 MATERIAL |
|-----------|-------------------|--|
| 1 | ハウジング HOUSING | ポリアミド(PA), UL94V-0, GLASS-FILLED, 色: ナチュラル(ベージュ) POLYAMIDE(PA), UL94V-0, GLASS-FILLED, COLOR: NATURAL (BEIGE) |
| 2 | ターミナル TERMINAL | りん青銅 PHOSPHOR BRONZE 無光沢錫めっき 1.0 MICROMETER MINIMUM MATTE TIN PLATING 1.0 MICROMETER MINIMUM ニッケルめっき 1.0 MICROMETER MINIMUM NICKEL PLATING 1.0 MICROMETER MINIMUM |
| 3 | ネイル NAIL | りん青銅 PHOSPHOR BRONZE 無光沢錫めっき 1.0 MICROMETER MINIMUM MATTE TIN PLATING 1.0 MICROMETER MINIMUM ニッケルめっき 1.0 MICROMETER MINIMUM NICKEL PLATING 1.0 MICROMETER MINIMUM |

| | | | | |
|-----------------|----|--------------|------------|----------|
| DOCUMENT STATUS | P1 | RELEASE DATE | 2021/12/24 | 09:26:44 |
|-----------------|----|--------------|------------|----------|

THIS DRAWING CONTAINS INFORMATION THAT IS PROPRIETARY TO MOLEX ELECTRONIC TECHNOLOGIES, LLC AND SHOULD NOT BE USED WITHOUT WRITTEN PERMISSION

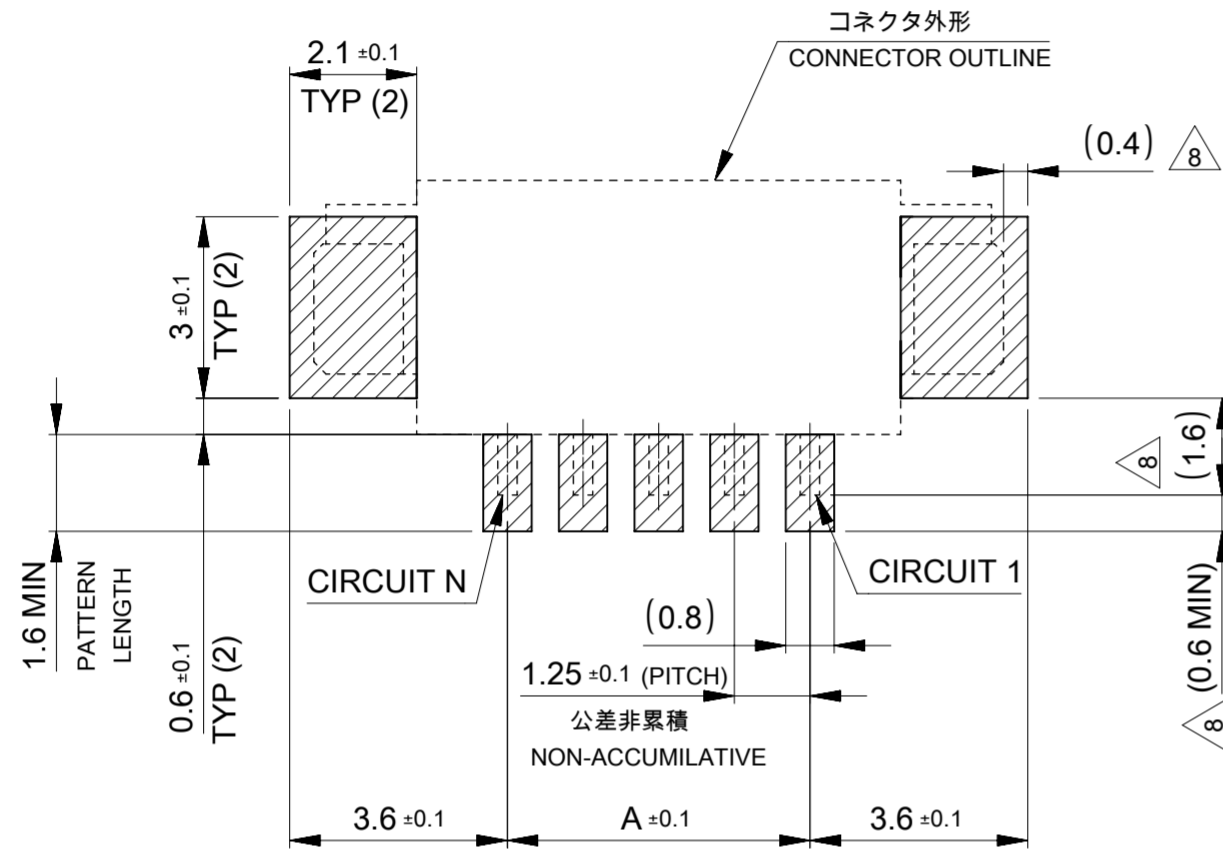
| | | | |
|---------------------------------------|--------|-----------------------------|--|
| DIMENSION UNITS | SCALE | CURRENT REV DESC: | <p>PICOBLADE 1.25 SMT RIGHT ANGLE TIN PLATING TYPE</p> <p>PRODUCT CUSTOMER DRAWING</p> |
| mm | NTS | | |
| GENERAL TOLERANCES (UNLESS SPECIFIED) | | | |
| ANGULAR TOL | ± 3.0° | EC NO: 688261 | |
| 4 PLACES | ± 0.2 | DRWN: QHE31 2021/12/15 | |
| 3 PLACES | ± 0.2 | CHK'D: SAKIYAMA 2021/12/21 | |
| 2 PLACES | ± 0.2 | APPR: KOMURAKAMI 2021/12/24 | |
| 1 PLACE | ± 0.2 | INITIAL REVISION: | |
| 0 PLACES | ± 0.2 | DRWN: QHE31 2021/12/15 | |
| | | APPR: KOMURAKAMI 2021/12/24 | |

| | | | |
|-----------------|----------|----------|----------|
| DOCUMENT NUMBER | DOC TYPE | DOC PART | REVISION |
| 532610001-SD | PSD | 000 | A |

| | | | | | | |
|--|------------------------|---------|--------|---------------------|----------|--------------|
| DRAFT WHERE APPLICABLE MUST REMAIN WITHIN DIMENSIONS | THIRD ANGLE PROJECTION | DRAWING | SERIES | MATERIAL NUMBER | CUSTOMER | SHEET NUMBER |
| | | A2-SIZE | 53261 | SEE CHART OF SHEET3 | GENERAL | 1 OF 5 |

NOTES

△₈ 製品輪郭線からパッドまでの寸法を示す。
DIMENSIONS FROM CONNECTOR OUTLINE TO PAD



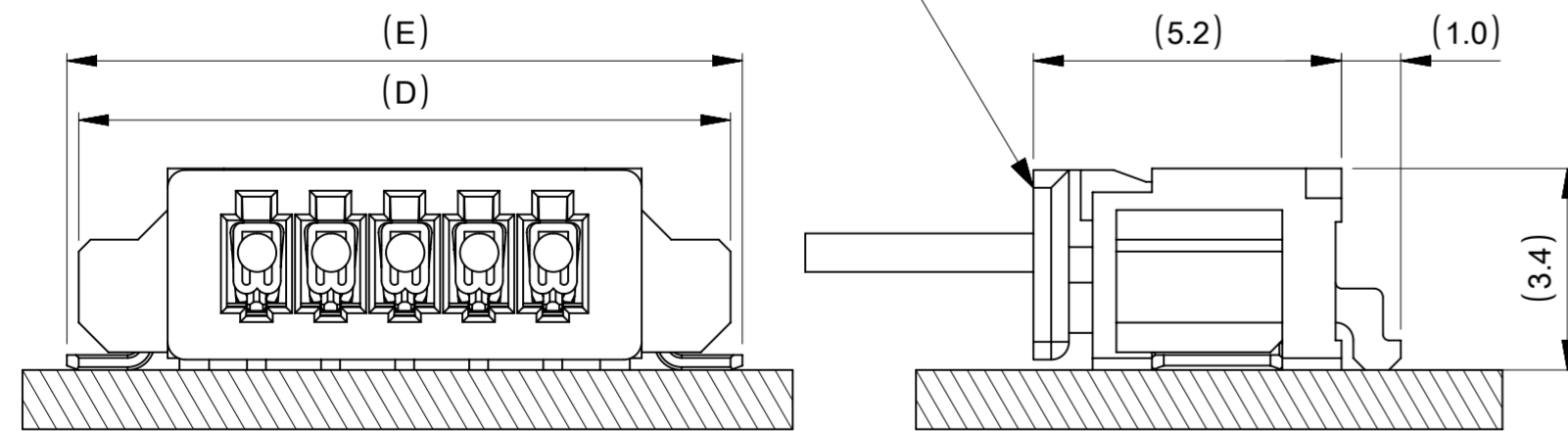
推奨基板レイアウト (実装面側)

RECOMMENDED P.W.B LAYOUT : COMPONENT SIDE

(参考 : 基板厚 1.0mm, メタルマスク厚さ: 0.15mm, マスク開口率: 100%)

(REFERENCE : P.W.B THICKNESS 1.0mm, STENCIL THICKNESS: 0.15mm, APERTURE: 100%)

嵌合相手 : 51021 シリーズ
MATE WITH : 51021 SERIES

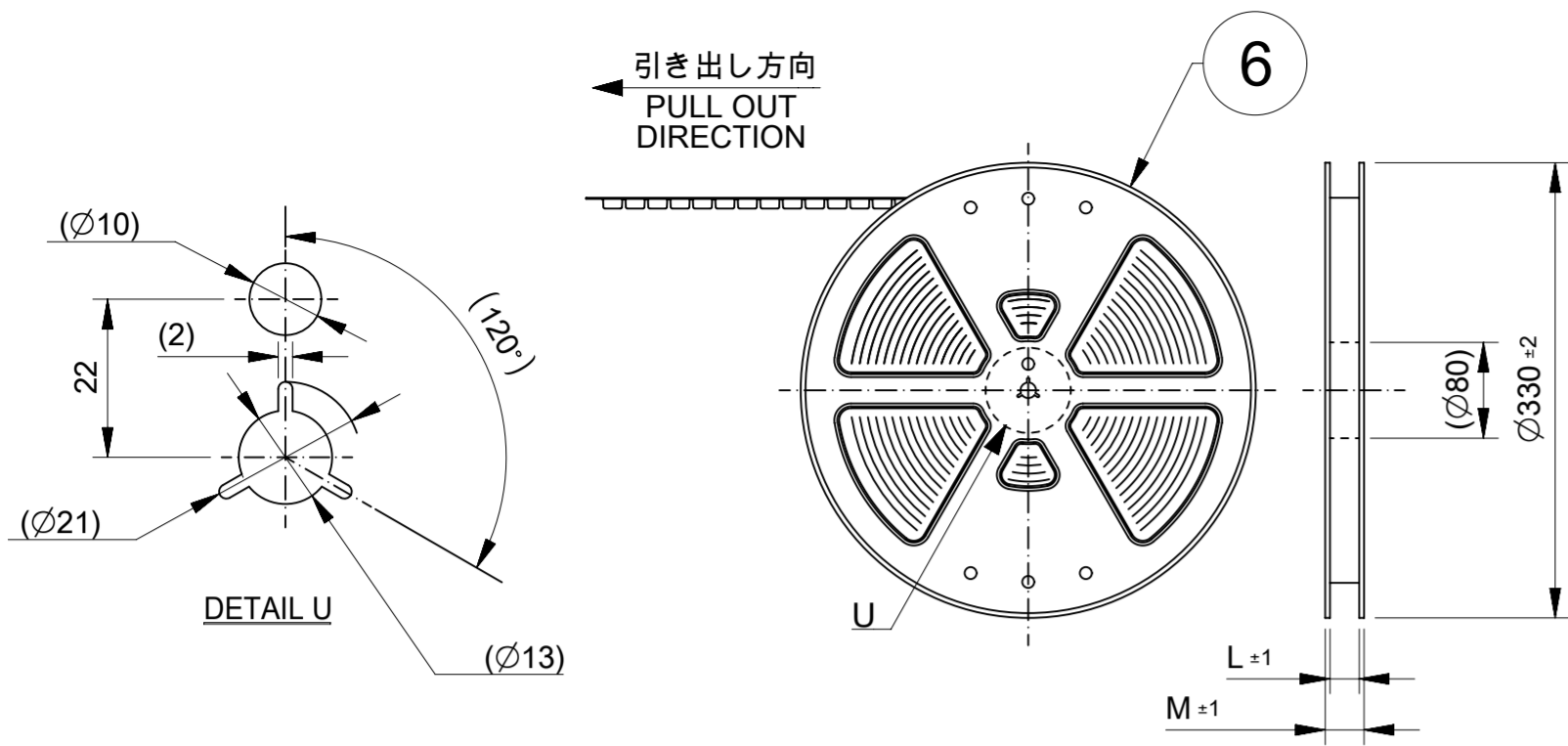


嵌合図
MATED CONNECTOR

| | | | | | |
|-------|-------|-------|-------|-------|--------------------|
| 21.8 | 23 | 26 | 20 | 26.4 | 17 |
| 19.3 | 20.5 | 23.5 | 17.5 | 23.9 | 15 |
| 18.05 | 19.25 | 22.25 | 16.25 | 22.65 | 14 |
| 16.8 | 18 | 21 | 15 | 21.4 | 13 |
| 15.55 | 16.75 | 19.75 | 13.75 | 20.15 | 12 |
| 14.3 | 15.5 | 18.5 | 12.5 | 18.9 | 11 |
| 13.05 | 14.25 | 17.25 | 11.25 | 17.65 | 10 |
| 11.8 | 13 | 16 | 10 | 16.4 | 9 |
| 10.55 | 11.75 | 14.75 | 8.75 | 15.15 | 8 |
| 9.3 | 10.5 | 13.5 | 7.5 | 13.9 | 7 |
| 8.05 | 9.25 | 12.25 | 6.25 | 12.65 | 6 |
| 6.8 | 8 | 11 | 5 | 11.4 | 5 |
| 5.55 | 6.75 | 9.75 | 3.75 | 10.15 | 4 |
| 4.3 | 5.5 | 8.5 | 2.5 | 8.9 | 3 |
| 3.05 | 4.25 | 7.25 | 1.25 | 7.65 | 2 |
| E | D | C | B | A | 極数 CIRCUIT SIZE |

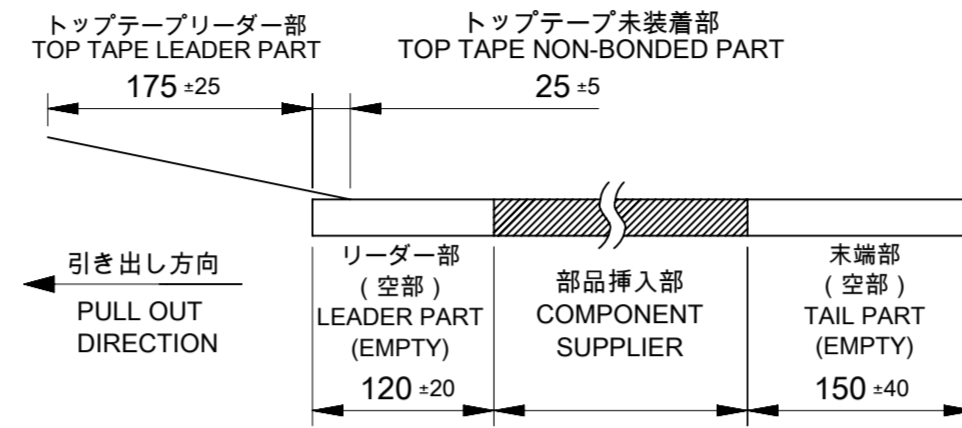
THIS DRAWING CONTAINS INFORMATION THAT IS PROPRIETARY TO MOLEX ELECTRONIC TECHNOLOGIES, LLC AND SHOULD NOT BE USED WITHOUT WRITTEN PERMISSION

| | | | | | | | |
|--|--------|------------------------|------------|--|---------------------|----------|--------------|
| DIMENSION UNITS | SCALE | CURRENT REV DESC: | | molex | | | |
| mm | NTS | | | | | | |
| GENERAL TOLERANCES (UNLESS SPECIFIED) | | EC NO: 688261 | | PICOBLADE 1.25 SMT RIGHT ANGLE TIN PLATING TYPE | | | |
| ANGULAR TOL | ± 3.0° | DRWN: QHE31 | 2021/12/15 | | | | |
| 4 PLACES | ± 0.2 | CHK'D: SAKIYAMA | 2021/12/21 | PRODUCT CUSTOMER DRAWING | | | |
| 3 PLACES | ± 0.2 | APPR: KOMURAKAMI | 2021/12/24 | | | | |
| 2 PLACES | ± 0.2 | INITIAL REVISION: | | DOCUMENT NUMBER | | | |
| 1 PLACE | ± 0.2 | DRWN: QHE31 | 2021/12/15 | | | | |
| 0 PLACES | ± 0.2 | APPR: KOMURAKAMI | 2021/12/24 | DOC TYPE | DOC PART | REVISION | |
| DRAFT WHERE APPLICABLE MUST REMAIN WITHIN DIMENSIONS | | THIRD ANGLE PROJECTION | DRAWING | SERIES | MATERIAL NUMBER | CUSTOMER | SHEET NUMBER |
| | | | A2-SIZE | 53261 | SEE CHART OF SHEET3 | GENERAL | 2 OF 5 |



注釈 NOTE

- 9. 梱包数量: 1000個/リール
NUMBER OF CONNECTOR: 1000PCS/REEL
- 10. リードテープ長さ LEAD TAPE LENGTH



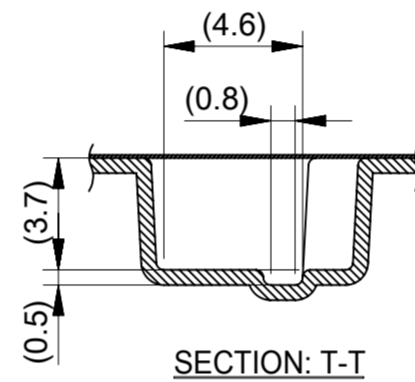
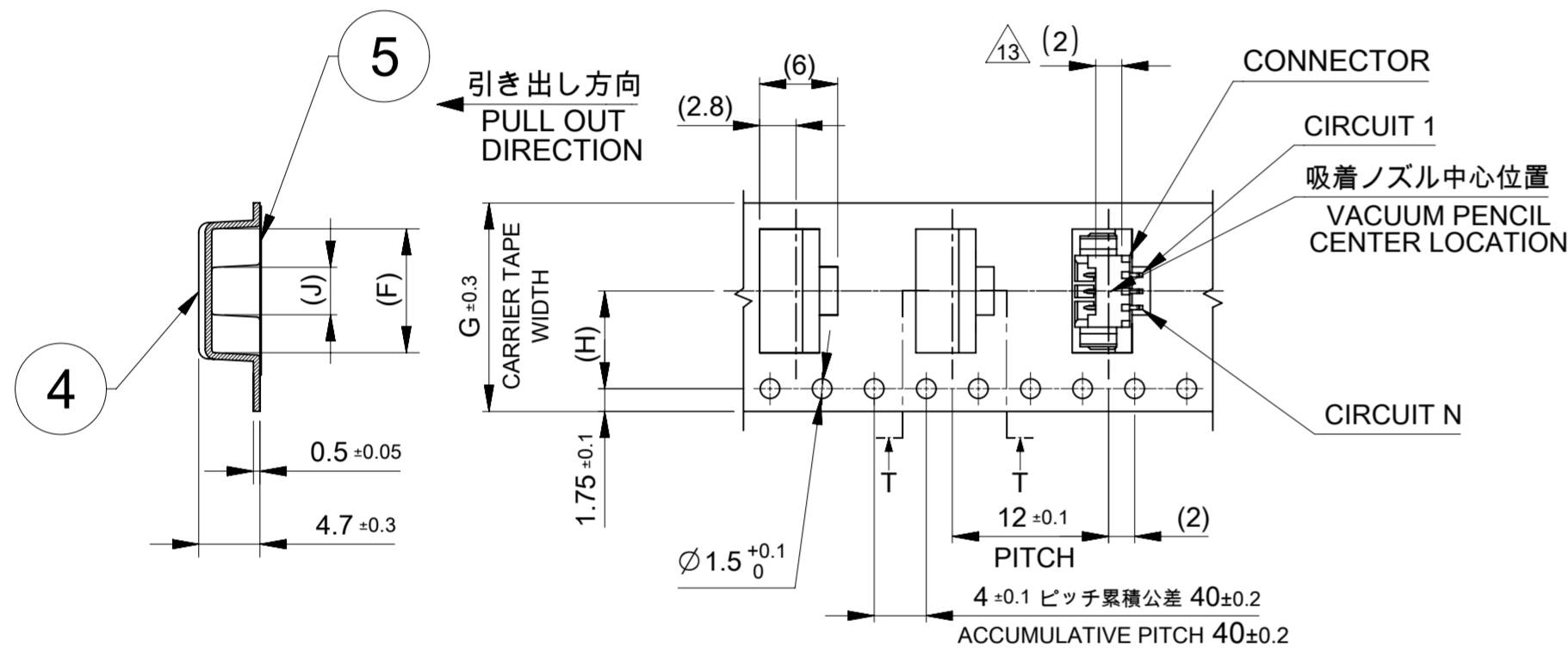
△11 発注番号
ORDER NUMBER
5326171**

極数
CIRCUIT

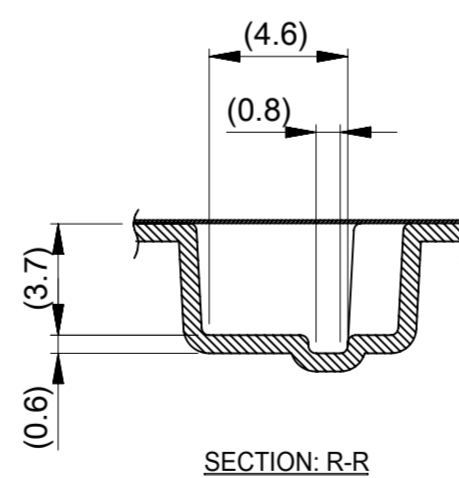
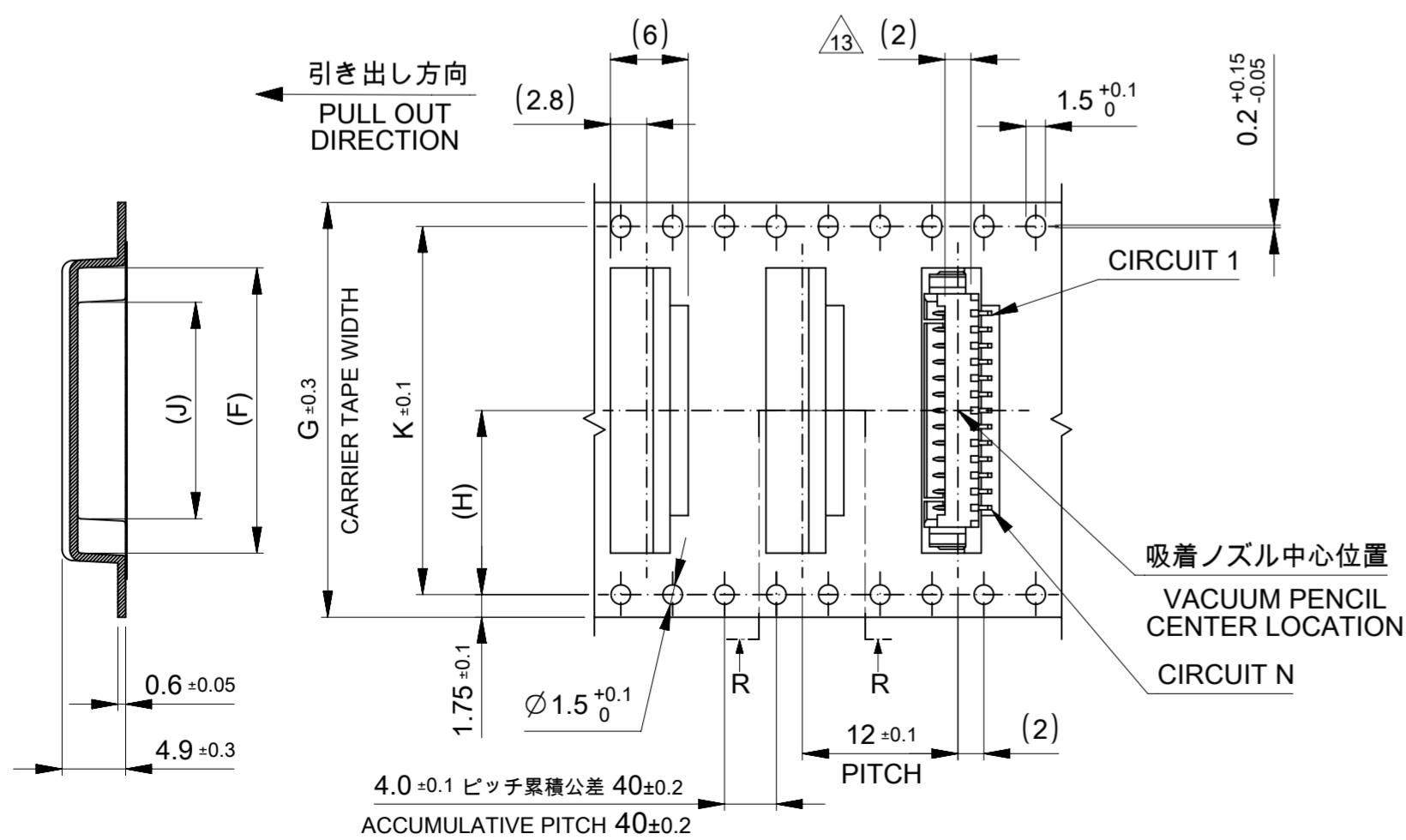
- △12 材料: TABLE 2参照
MATERIAL: REFER TO TABLE 2
- △13 コネクタハウジング平面部
CONNECTOR HOUSING FLAT AREA.
- 14. トップテープの剥離強度はIEC 60286-3に準拠。
TOP TAPE PEELING FORCE IS DEFINED BY IEC 60286-3.
- 15. 本製品は乾燥剤入りハイバリア梱包仕様である。
THIS PRODUCT IS HIGH BARRIER PACKAGE WITH DESICCANT.
- 16. 梱包仕様書: SPK-53261-002
PACKAGING SPECIFICATION: SPK-53261-002

△12 TABLE2

| 番号 NO. | 部品 PART | 材質 MATERIAL |
|-----------|-------------------------|---|
| ④ | キャリアテープ CARRIER TAPE | ポリプロピレン(PP) POLYPROPYLENE(PP) |
| ⑤ | トップテープ TOP TAPE | ポリエチレン (PE)、その他 POLYETHYLENE (PE), ETC |
| ⑥ | リール REEL | ポリスチレン(PS)<リサイクル材を含む> POLYSTYRENE(PS) < RECYCLE MATERIAL CONTAINED > |



16mm幅(2~3極用)および24mm幅(4~10極用)キャリアテープ
16mm (FOR 2~3 CIRCUIT) OR 24mm (FOR 4~10 CIRCUIT) WIDTH CARRIER TAPE



32mm幅(11~13極用)および44mm幅(14~15, 17極用)キャリアテープ
32mm (FOR 11~13 CIRCUIT) OR 44mm (FOR 14~15, 17 CIRCUIT) WIDTH CARRIER TAPE

| | | | | | | |
|------|------|------|-------|------|------------------------------------|--------------------|
| 49.4 | 45.4 | 40.4 | 21.2 | | 27 | 17 |
| | | | 18.7 | 20.2 | 42 | 15 |
| | | | 17.45 | | 23.25 | 14 |
| 37.4 | 33.4 | 28.4 | 16.2 | | 22 | 13 |
| | | | 14.95 | 14.2 | 32 | 12 |
| | | | 13.7 | | 19.5 | 11 |
| 29.4 | 25.4 | - | 12.45 | | 18.25 | 10 |
| | | | 11.2 | | 17 | 9 |
| | | | 9.95 | | 15.75 | 8 |
| | | | 8.7 | 11.5 | 24 | 7 |
| | | | 7.45 | | 14.5 | 6 |
| | | | 6.2 | | 12 | 5 |
| | | | 4.95 | | 10.75 | 4 |
| 21.4 | 17.4 | - | 3.7 | 7.5 | 16 | 3 |
| | | | 2.45 | | 9.5 | 2 |
| M | L | K | J | H | キャリアテープ幅 G CARRIER TAPE WIDTH G | 極数 CIRCUIT SIZE |

THIS DRAWING CONTAINS INFORMATION THAT IS PROPRIETARY TO MOLEX ELECTRONIC TECHNOLOGIES, LLC AND SHOULD NOT BE USED WITHOUT WRITTEN PERMISSION

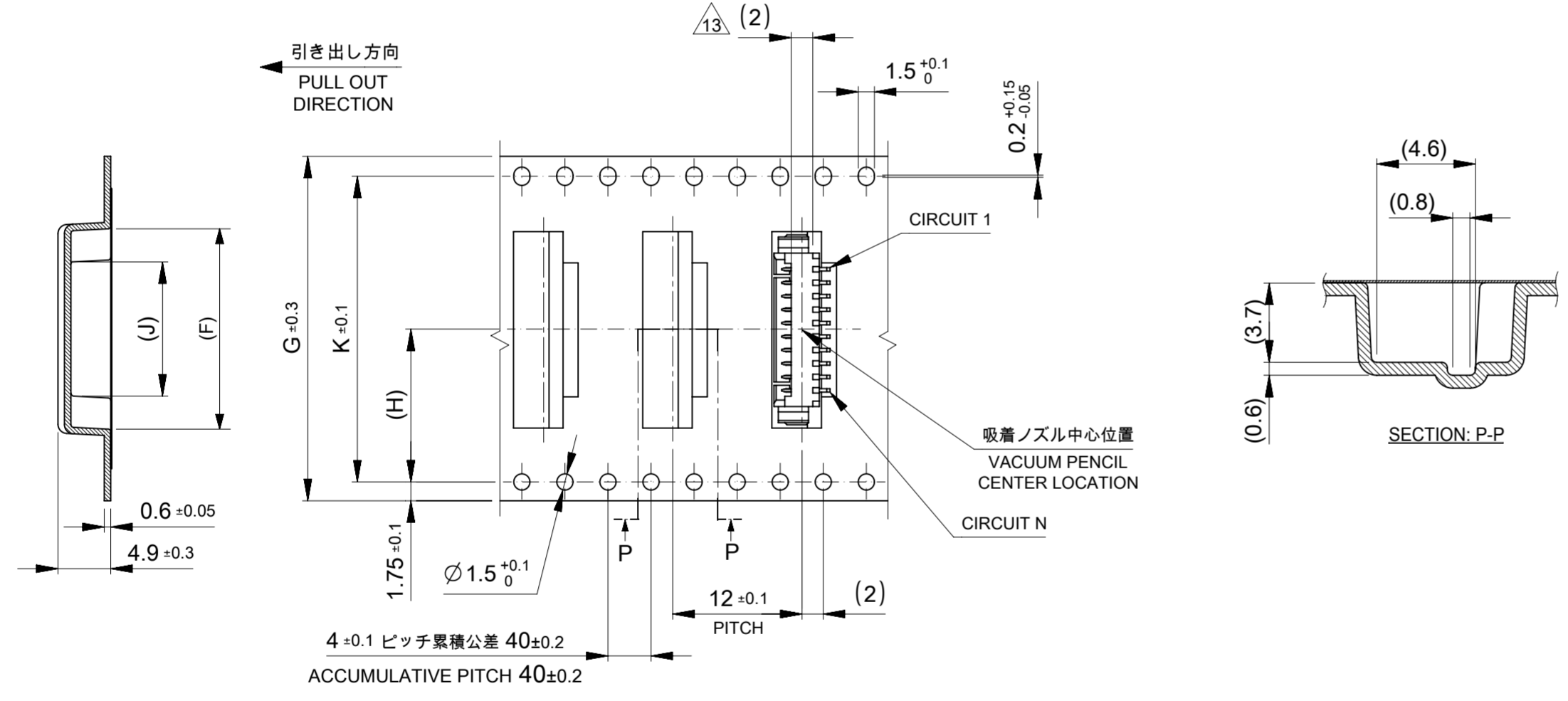
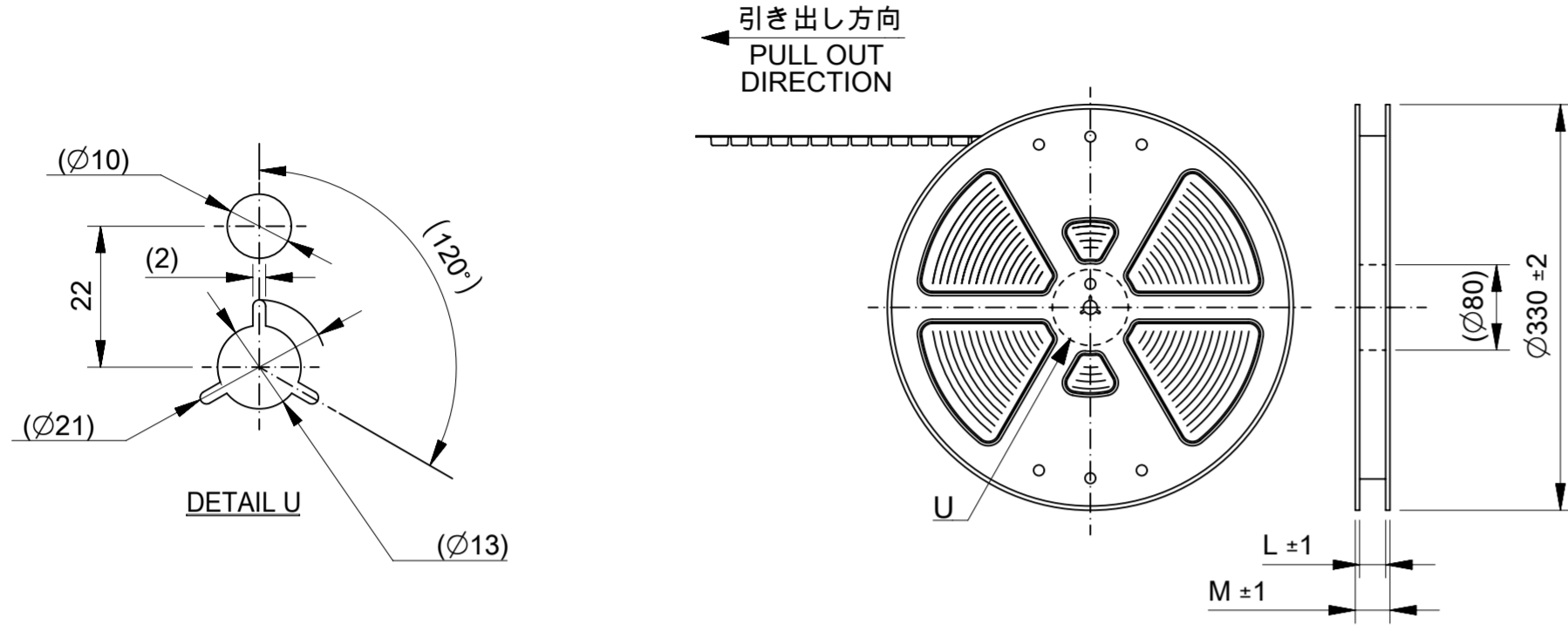
| DIMENSION UNITS | SCALE | CURRENT REV | DESC: |
|--|--------|------------------------|--------------------------------|
| mm | NTS | | |
| GENERAL TOLERANCES (UNLESS SPECIFIED) | | | |
| ANGULAR TOL | ± 3.0° | EC NO: | 688261 |
| 4 PLACES | ± 0.2 | DRWN: | QHE31 2021/12/15 |
| 3 PLACES | ± 0.2 | CHK'D: | SAKIYAMA 2021/12/21 |
| 2 PLACES | ± 0.2 | APPR: | KOMURAKAMI 2021/12/24 |
| 1 PLACE | ± 0.2 | INITIAL REVISION: | |
| 0 PLACES | ± 0.2 | DRWN: | QHE31 2021/12/15 |
| | | APPR: | KOMURAKAMI 2021/12/24 |
| DRAFT WHERE APPLICABLE MUST REMAIN WITHIN DIMENSIONS | | THIRD ANGLE PROJECTION | DRAWING SERIES |
| | | A2-SIZE | 53261 |
| | | MATERIAL NUMBER | CUSTOMER |
| | | SEE CHART OF SHEET3 | GENERAL |
| | | DOCUMENT NUMBER | DOC TYPE DOC PART REVISION |
| | | 532610001-SD | PSD 000 A |
| | | SHEET NUMBER | 3 OF 5 |

molex

PICOBLADE 1.25
SMT RIGHT ANGLE TIN PLATING TYPE

PRODUCT CUSTOMER DRAWING

532611071
 韓国生産分に適用
 APPLIES TO PRODUCT
 PRODUCED BY MXK



32mm幅キャリアテープ
 32mm WIDTH CARRIER TAPE

| | | | | | | | |
|------|------|------|-------|------|------------------------------------|-------|--------------------|
| 37.4 | 33.4 | 28.4 | 12.45 | 14.2 | 32 | 18.25 | 10 |
| M | L | K | J | H | キャリアテープ幅 G CARRIER TAPE WIDTH G | F | 極数 CIRCUIT SIZE |

THIS DRAWING CONTAINS INFORMATION THAT IS PROPRIETARY TO MOLEX ELECTRONIC TECHNOLOGIES, LLC AND SHOULD NOT BE USED WITHOUT WRITTEN PERMISSION

| | | | | | | | |
|--|------------------------|-----------------------------|--|---------------------|----------|--------------|----------|
| DIMENSION UNITS | SCALE | CURRENT REV DESC: | molex | | | | |
| mm | NTS | | | | | | |
| GENERAL TOLERANCES (UNLESS SPECIFIED) | | | PICOBLADE 1.25 SMT RIGHT ANGLE TIN PLATING TYPE | | | | |
| ANGULAR TOL | ± 3.0° | EC NO: 688261 | | | | | |
| 4 PLACES | ± 0.2 | DRWN: QHE31 2021/12/15 | PRODUCT CUSTOMER DRAWING | | | | |
| 3 PLACES | ± 0.2 | CHK'D: SAKIYAMA 2021/12/21 | | | | | |
| 2 PLACES | ± 0.2 | APPR: KOMURAKAMI 2021/12/24 | DOCUMENT NUMBER | | | | |
| 1 PLACE | ± 0.2 | INITIAL REVISION: | | | | | |
| 0 PLACES | ± 0.2 | DRWN: QHE31 2021/12/15 | 532610001-SD | | DOC TYPE | DOC PART | REVISION |
| DRAFT WHERE APPLICABLE MUST REMAIN WITHIN DIMENSIONS | THIRD ANGLE PROJECTION | DRAWING | SERIES | MATERIAL NUMBER | CUSTOMER | SHEET NUMBER | |
| | | A2-SIZE | 53261 | SEE CHART OF SHEET3 | GENERAL | 000 | A |

△ 2 適合製品および各種仕様書
 APPLICABLE PRODUCTS AND SPECIFICATIONS

| | | | | |
|--|---------------------|-----------------|----------------------|-------------|
| 梱包仕様書 PACKING SPECIFICATION | PART NUMBER | | SPECIFICATION NUMBER | |
| | 53261**** | | SPK-53261-002 | |
| 適合嵌合相手 MATE WITH | HOUSING | CRIMP TERMINAL | | |
| | 51021**** | WIRE SIZE (AWG) | PLATING | PART NUMBER |
| | | #26-28 | TIN | 500798*00 |
| #28-32 | 500588*00 | | | |
| 製品仕様書 PRODUCT SPECIFICATION | PS-51021-024 | | | |
| アプリケーション仕様書 (取扱説明書) APPLICATION SPECIFICATION | 510210001-AS PS 000 | | | |

| | | | | | | | | | |
|---|-----------------------------|------------------------|--------|--------------------------|--|----------|--------------|----------|--|
| THIS DRAWING CONTAINS INFORMATION THAT IS PROPRIETARY TO MOLEX ELECTRONIC TECHNOLOGIES, LLC AND SHOULD NOT BE USED WITHOUT WRITTEN PERMISSION | | | | | | | | | |
| DIMENSION UNITS | SCALE | CURRENT REV DESC: | | | molex | | | | |
| mm | NTS | | | | | | | | |
| GENERAL TOLERANCES (UNLESS SPECIFIED) | | EC NO: 688261 | | | PICOBLADE 1.25 SMT RIGHT ANGLE TIN PLATING TYPE | | | | |
| ANGULAR TOL ± 3.0 ° | | DRWN: QHE31 2021/12/15 | | | | | | | |
| 4 PLACES ± 0.2 | CHK'D: SAKIYAMA 2021/12/21 | | | PRODUCT CUSTOMER DRAWING | | | | | |
| 3 PLACES ± 0.2 | APPR: KOMURAKAMI 2021/12/24 | | | | | | | | |
| 2 PLACES ± 0.2 | INITIAL REVISION: | | | DOCUMENT NUMBER | | DOC TYPE | DOC PART | REVISION | |
| 1 PLACE ± 0.2 | DRWN: QHE31 2021/12/15 | | | 532610001-SD | | PSD | 000 | A | |
| 0 PLACES ± 0.2 | APPR: KOMURAKAMI 2021/12/24 | | | | | | | | |
| DRAFT WHERE APPLICABLE MUST REMAIN WITHIN DIMENSIONS | THIRD ANGLE PROJECTION | DRAWING | SERIES | MATERIAL NUMBER | CUSTOMER | | SHEET NUMBER | | |
| | | A3-SIZE | 53261 | | GENERAL | | 5 OF 5 | | |

10 9 8 7 6 5 4 3 2 1

F

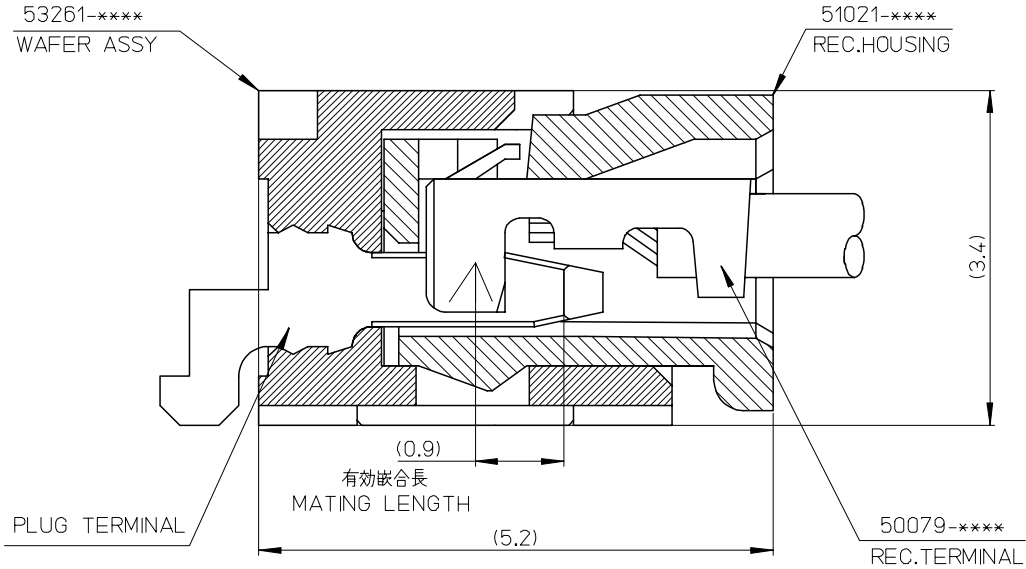
E

D

C

B

A



| | | |
|------------|------------|------------------------|
| 53261-**** | WAFER ASSY | MODEL NO./MATERIAL NO. |
| 50079-**** | TERMINAL | |
| 51021-**** | HOUSING | |

| | | | | | | | | |
|--|---------------------------------------|-------|--|--------------------|---|------------------------|------------------------|--|
| RELEASED EC NO: J2006-2426 DRWN: A0YAGI 2006/02/02 CHKD: YMAEDA 2006/02/03 APPR: NUKITA 2006/02/07 | GENERAL TOLERANCES (UNLESS SPECIFIED) | | DIMENSION STYLE MM ONLY | | SCALE --- | DESIGN UNITS METRIC | THIRD ANGLE PROJECTION | |
| | 10 UNDER | ± --- | DRAWN BY Y. A0YAGI | DATE 2006/01/30 | TITLE 1.25 W-TO-B CONN. 51021,53261 MATING CROSS SECTION | | | |
| | 10 OVER 30 UNDER | ± --- | CHECKED BY Y. MAEDA | DATE 2006/01/30 | MOLEX INCORPORATED | | | |
| | 30 OVER | ± --- | APPROVED BY N. UKITA | DATE 2006/01/30 | MATERIAL NO. SEE CHART | | | |
| | ANGULAR ± --- ° | | DRAFT WHERE APPLICABLE MUST REMAIN WITHIN DIMENSIONS | | DOCUMENT NO. SD-51021-002 | | SHEET NO. 1 OF 1 | |

9

8

7

6

5

4

3

2