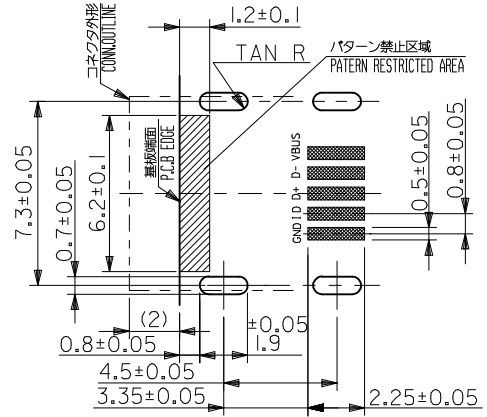
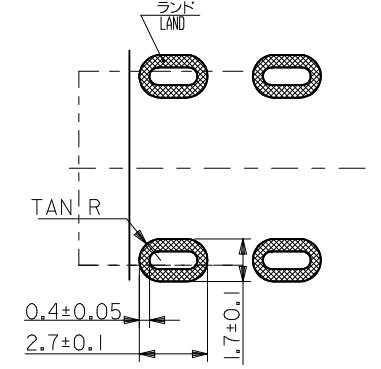


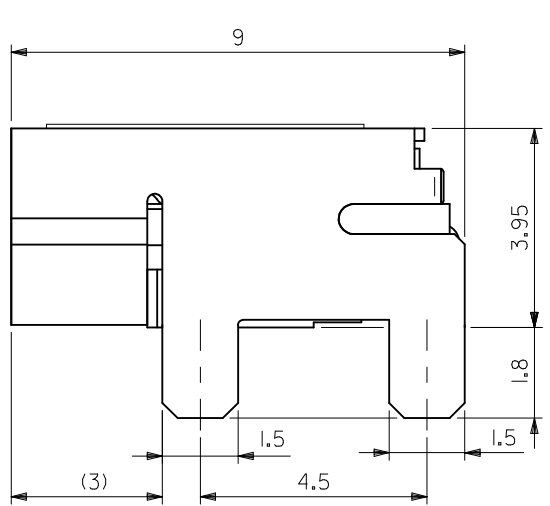
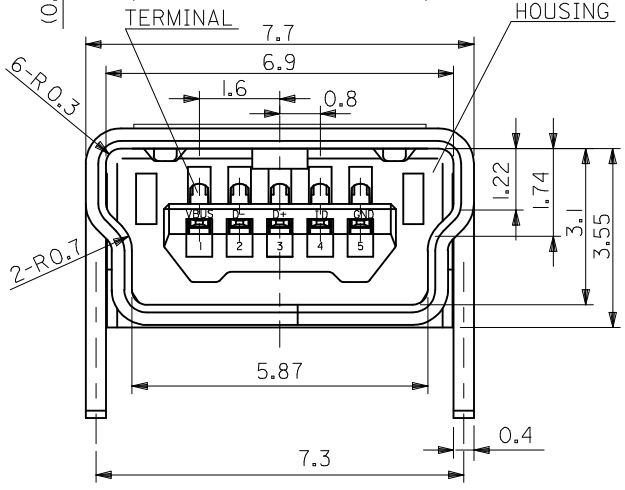
コネクタ実装側 (CONNECTOR MOUNT SIDE)



逆側 (REVERSE SIDE)



推奨基板寸法
RECOMMENDED P.C.B. PATTERN LAYOUT



注記 1. 材質
NOTES MATERIAL

- ハウジング: ポリアミド, ガラス充填, 黒色, UL94V-0
- HOUSING: PA, GLASS FILLED, BLACK, UL94V-0
- ターミナル: 銅合金 (t=0.2)
- TERMINAL: COPPER ALLOY (t=0.2)
- シールド ケース: 銅合金 (t=0.4)
- SHIELD CASE: COPPER ALLOY (t=0.4)
- カバー テープ: ポリイミド (t=0.08)
- COVER TAPE: POLYIMIDE (t=0.08)

2. メッキ仕様
PLATING

- ターミナル
- TERMINAL
- 接点部: 金メッキ 0.75 MICROMETER MIN.
- CONTACT AREA: GOLD 0.75 MICROMETER MIN.
- 半田付け部: 錫メッキ 1.0 MICROMETER MIN.
- SOLDER TAIL AREA: TIN 1.0 MICROMETER MIN.
- 下地部: ニッケルメッキ 1.25 MICROMETER MIN.
- UNDER PLATING: NICKEL 1.25 MICROMETER MIN.
- シールド ケース
- SHIELD CASE
- : 錫メッキ 1.0 MICROMETER MIN.
- : TIN 1.0 MICROMETER MIN.
- 下地部: ニッケルメッキ 1 MICROMETER MIN.
- UNDER PLATING: NICKEL 1 MICROMETER MIN.

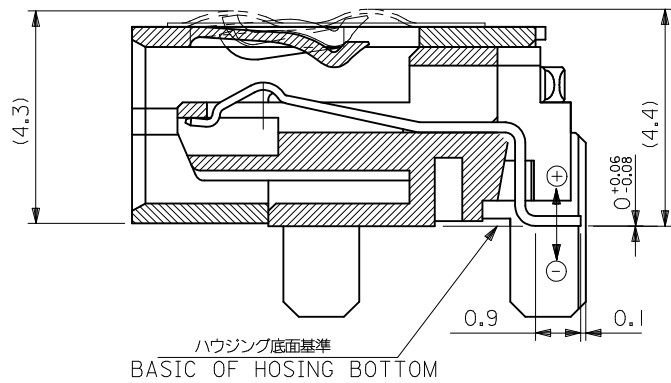
3. テールの平坦度は 0.1mm MAX.
TAIL COPLANARITY 0.1mm MAX.

4. 本製品は 54819-0581 の鉛フリー品である。

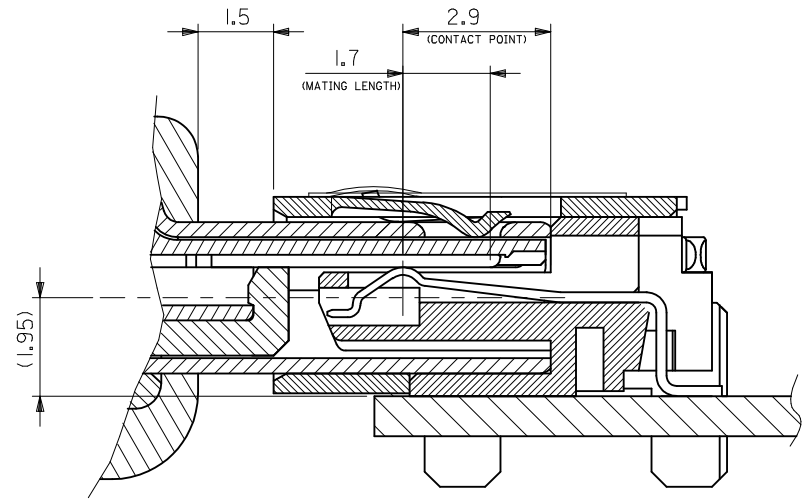
THIS PRODUCT IS LEAD FREE OF 54819-0581.

54819-0589	54819-0582
EMBOSSED TAPE	MATERIAL No.
ORDER No.	
MODEL No.54819-***82	

REVISED EC NO: J2009-1533 DRW: NESATO 2009/06/25 CHKD: MATSUMOTO 2009/06/25 APPR: NUKITA 2009/06/25	DESCRIPTION REV: A	GENERAL TOLERANCES (UNLESS SPECIFIED)		DIMENSION STYLE MM ONLY		SCALE 10:1		DESIGN UNITS METRIC		THIRD ANGLE PROJECTION		
		10 UNDER	±0.2	DRAWN BY	DATE	TITLE						
		10 OVER 30 UNDER	±0.25	M. NABE I	'04/10/21	USB SERIES MINI-B (DIP2) RECEPTACLE ASS'Y -LEAD FREE-						
		30 OVER	±0.3	K. TOJO	'04/10/21	MOLEX INCORPORATED						
ANGULAR ±3 ° DRAFT WHERE APPLICABLE MUST REMAIN WITHIN DIMENSIONS		APPROVED BY N. UKITA '04/10/21		MATERIAL NO. SEE TABLE		DOCUMENT NO. SD-54819-030		SHEET NO. 1 OF 2				
SIZE A3 THIS DRAWING CONTAINS INFORMATION THAT IS PROPRIETARY TO MOLEX INCORPORATED AND SHOULD NOT BE USED WITHOUT WRITTEN PERMISSION												



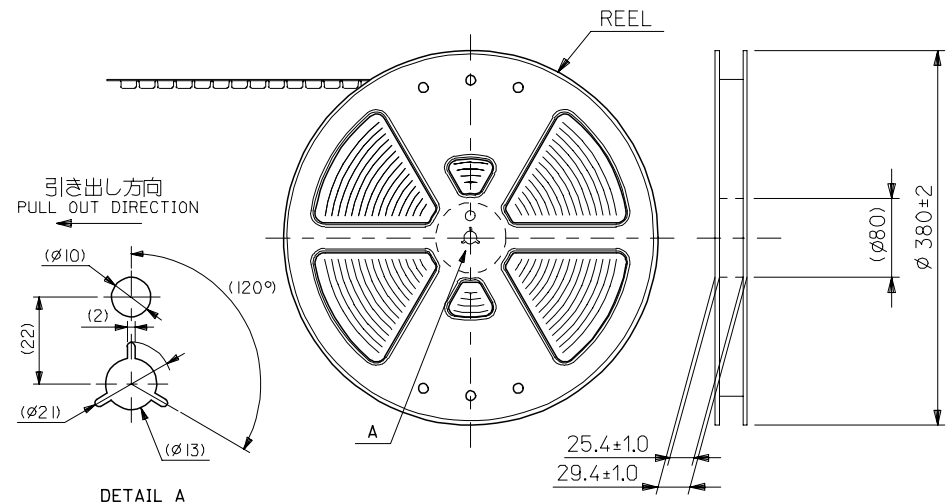
SECTION



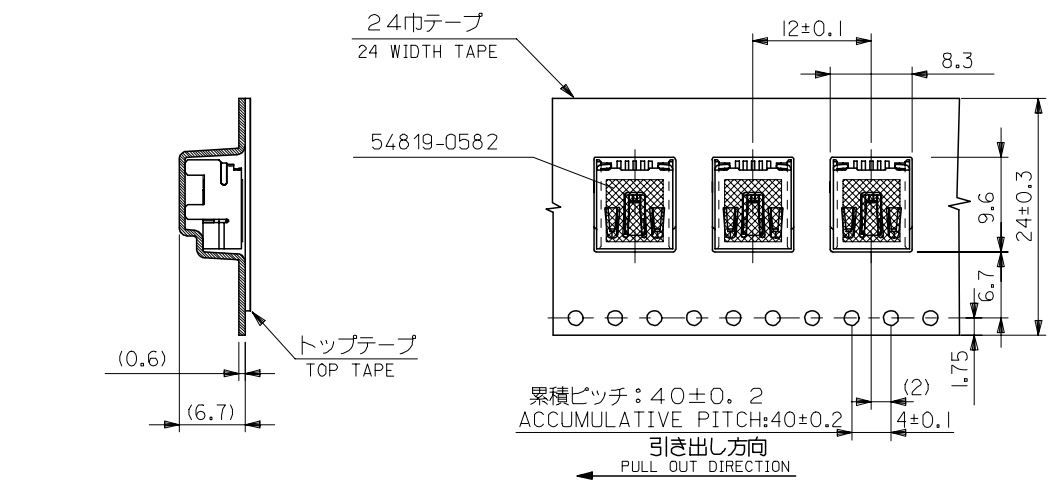
MATING

MODEL No.54819-***82

REVISED EC NO: J2009-1533 DRW:ESATO 2009/06/25 CHK:D:MATSUMOTO 2009/06/25 APPR:NUKITA 2009/06/25	GENERAL TOLERANCES (UNLESS SPECIFIED)		DIMENSION STYLE MM ONLY	SCALE 10:1	DESIGN UNITS METRIC	THIRD ANGLE PROJECTION	
	10 UNDER	±0.2	DRAWN BY M. NABEI	DATE '04/10/21	TITLE USB SERIES MINI-B (DIP2) RECEPTACLE ASS'Y -LEAD FREE-		
	10 OVER 30 UNDER	±0.25	CHECKED BY K. TOJO	DATE '04/10/21			
	30 OVER	±0.3	APPROVED BY N. UKITA	DATE '04/10/21	MOLEX INCORPORATED DOCUMENT NO. SD-54819-030 SHEET NO. 2 OF 2		
ANGULAR ±3 °		MATERIAL NO. SEE SHEET1					
DRAFT WHERE APPLICABLE MUST REMAIN WITHIN DIMENSIONS		THIS DRAWING CONTAINS INFORMATION THAT IS PROPRIETARY TO MOLEX INCORPORATED AND SHOULD NOT BE USED WITHOUT WRITTEN PERMISSION					



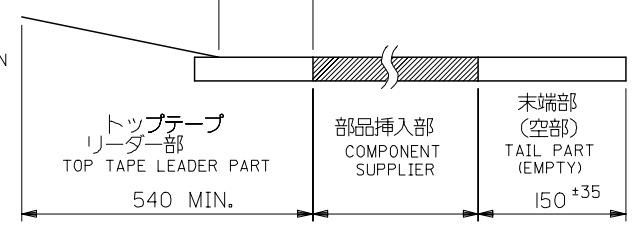
DETAIL A



累積ピッチ: 40±0.2
 ACCUMULATIVE PITCH: 40±0.2
 引き出し方向
 PULL OUT DIRECTION
 エンボステープ内の製品の向き
 DIRECTION OF CONNECTOR IN EMBOSSED TAPE

NOTES

- 54819-0582 の詳細は SD-54819-030 参照
 IN THE PACKAGE PART NO.54819-0582 DETAILED, SEE SD-54819-030.
- 梱包数量: 900 個/リール
 NUMBER OF CONNECTORS: 900 PCS/REEL
- リードテープ長さ
 LEAD TAPE LENGTH
 トップテープ接着部 (空エンボス) (EMPTY)
 20-25PCS.



- トップテープの剥離強度: 0.1-1.3N (10-130gf)
 (剥離方向は下図参照) キャリアテープ幅: 24mm
 CARRIER TAPE WIDTH
 PEEL-OFF FORCE OF TOP TAPE: 0.1-1.3N (10-130gf)
 (PEELING DIRECTION AS SHOWN IN FOLLOWING FIG.)
 尚、本規格値は、出荷時に適用。
 THIS REQUIREMENT SHOULD BE APPLIED AT SHIPMENT
 (但し、輸送時に剥離が発生しない事。)
 (PEEL OFF SHOULD NOT BE ALLOWED, DURING TRANSPORTATION)
 剥離方向
 PEEL OFF DIRECTION
 10°

- 材料
 MATERIAL
 キャリアテープ: ポリプロピレン
 CARRIER TAPE: POLYPROPYLENE
 トップテープ: ポリエステル, ポリエチレン
 TOP TAPE: POLYESTER, POLYETHYLENE
 リール: ポリスチレン
 REEL: POLYSTYRENE

- 本製品は 54819-0588 の鉛フリー品である。
 THIS PRODUCT IS LEAD FREE OF 54819-0588.

RELEASED EC NO: J2005-1196 DRAWN: MNABE1 2004/10/26 CHKD: KTOJO 2004/10/26 APPR: NUKITA 2004/10/28 REV: 0	GENERAL TOLERANCES (UNLESS SPECIFIED)		DIMENSION STYLE MM ONLY		SCALE 2:1	DESIGN UNITS METRIC	THIRD ANGLE PROJECTION
	10 UNDER	±0.2	DRAWN BY MNABE1	DATE '04/10/21	TITLE USB SERIES MINI-B (DIP2) REC. HS'G EMBOSSED ASS'Y -LEAD FREE-		
	10 OVER 30 UNDER	±0.25	CHECKED BY KTOJO	DATE '04/10/21			
	30 OVER	±0.3	APPROVED BY NUKITA	DATE '04/10/21	MOLEX INCORPORATED		
	ANGULAR	±3 °	MATERIAL NO. 54819-0589	DOCUMENT NO. SD-54819-031			
DRAFT WHERE APPLICABLE MUST REMAIN WITHIN DIMENSIONS		SIZE A3 THIS DRAWING CONTAINS INFORMATION THAT IS PROPRIETARY TO MOLEX INCORPORATED AND SHOULD NOT BE USED WITHOUT WRITTEN PERMISSION					