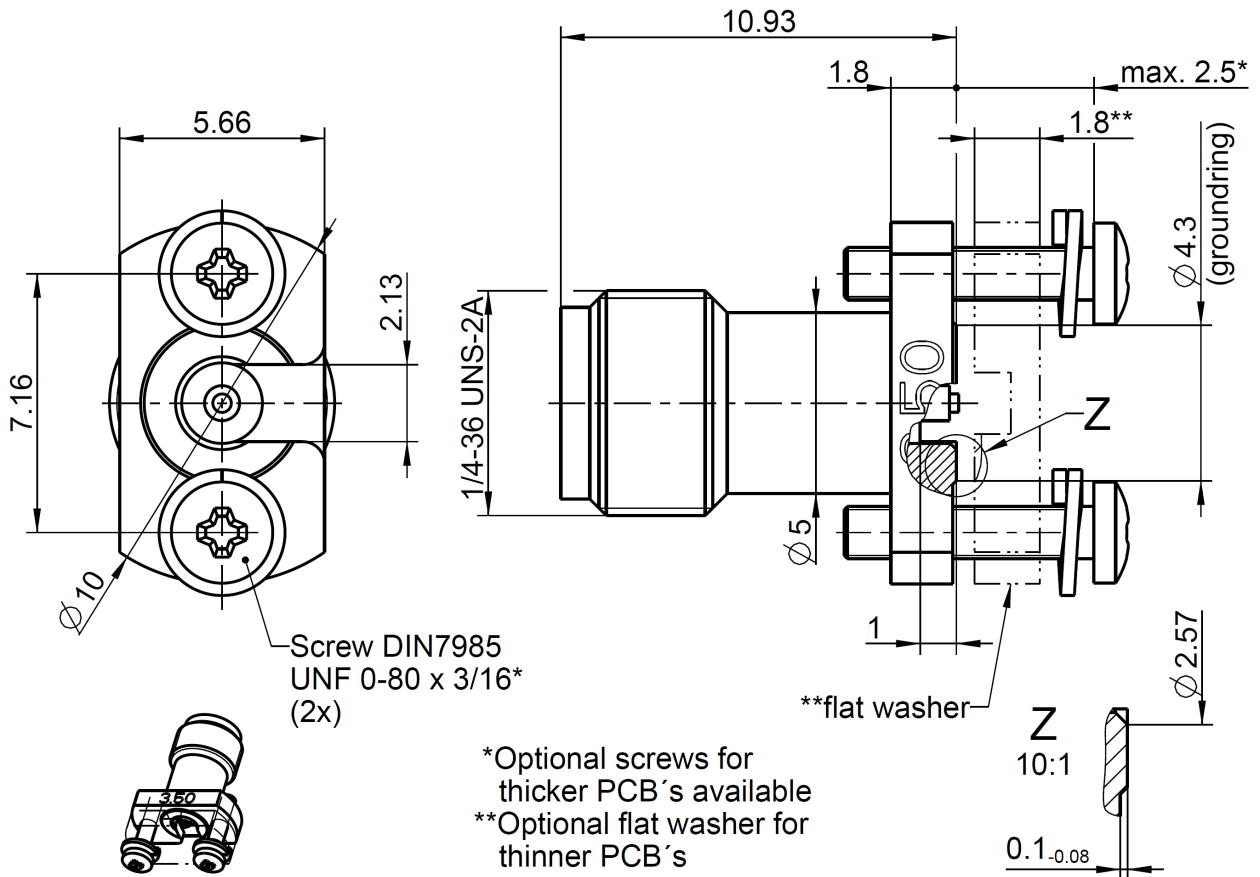


RPC-3.50  
 Straight Jack PCB  
 Economic Solderless  
 Connector – for Microstrip

**03K722-40MS3**



All dimensions are in mm; tolerances according to ISO 2768 m-H

**Interface**

According to IEC 60169-23  
 Mechanically compatible with RPC-2.92 and SMA

**Documents**

PCB layout B 594G

**Material and plating**

**Connector parts**

Center contact	<b>Material</b> CuBe	<b>Plating</b> Gold, min. 1.27 µm, over chemical nickel
Outer contact	Stainless steel	Passivated
Dielectric	PTFE	

Dieses Dokument ist urheberrechtlich geschützt • This document is protected by copyright • Rosenberger Hochfrequenztechnik GmbH & Co. KG

RF\_35/05.10/6.1

# Technical Data Sheet

# Rosenberger

RPC-3.50  
Straight Jack PCB  
Economic Solderless  
Connector – for Microstrip

## 03K722-40MS3

### Electrical data

Impedance	50 Ω
Frequency	DC to 26.5 GHz
Return loss	≥ 21 dB, DC to 26.5 GHz
Insertion loss	≤ 0.03 x $\sqrt{f(\text{GHz})}$ dB
Insulation resistance	≥ 5 GΩ
Test voltage	1000 V rms
Working voltage	335 V rms
RF-leakage	≥ 100 dB up to 1 GHz

- Return Loss in application depends decisive on PCB layout -

### Mechanical data

Mating cycles Interface	≥ 500
Mating cycles PCB side	≥ 300 typical (at 20°C, sea level, non-permanent duration)
Mating force PCB side	≤ 20 N
Center contact captivation	≥ 27 N
Coupling test torque RPC-2.40	1.65 Nm
Typically torque for the screws	0.15 Nm
Recommended torque RPC-2.40	0.80 Nm to 1.10 Nm

### Environmental data

Storage temperature range	-40°C to +85°C
Operating temperature range	-0°C to +85°C
Corrosion	MIL-STD-202, Method 101, Condition B
Vibration	MIL-STD-202, Method 204, Condition D
Shock	MIL-STD-202, Method 213, Condition I
Moisture resistance	MIL-STD-202, Method 106
RoHS	compliant

### Accessories

Available Screws DIN 7985-H-A2 UNF 0-80 (cylinder head screw) for different PCB lengths.	
3/16" length = Standard (already included with the connector)	DIN7985-H-A2 UNF 0-80x3/16
1/4" length = Optional (PCB thickness min. 1.2 mm to max. 4.2 mm)	DIN7985-H-A2 UNF 0-80x1/4
5/16" length = Optional (PCB thickness min. 2.8 mm to max. 5.7 mm)	DIN7985-H-A2 UNF 0-80x5/16
3/8" length = Optional (PCB thickness min. 4.4 mm to max. 7.4 mm)	DIN7985-H-A2 UNF 0-80x3/8
7/16" length = Optional (PCB thickness min. 6.0 mm to max. 8.9 mm)	DIN7985-H-A2 UNF 0-80x7/16
Flat Washer = Optional 08K723-40M/60L (recommended screw 1/4" for PCB size min. 0 mm to max. 2.4mm)	

### Tooling

N/A

### Weight

2.1 g/pce

While the information has been carefully compiled to the best of our knowledge, nothing is intended as representation or warranty on our part and no statement herein shall be construed as recommendation to infringe existing patents. In the effort to improve our products, we reserve the right to make changes judged to be necessary.

Draft	Date	Approved	Date	Rev.	Engineering change number	Name	Date
Martin Moder	05.10.18	Herbert Babinger	01.03.21	c00	21-0410	M. Knoll	01.03.21
Rosenberger Hochfrequenztechnik GmbH & Co. KG P.O.Box 1260 D-84526 Tittmoning Germany <a href="http://www.rosenberger.de">www.rosenberger.de</a>					Tel. : +49 8684 18-0 Email : <a href="mailto:info@rosenberger.de">info@rosenberger.de</a>		Page 2 / 2