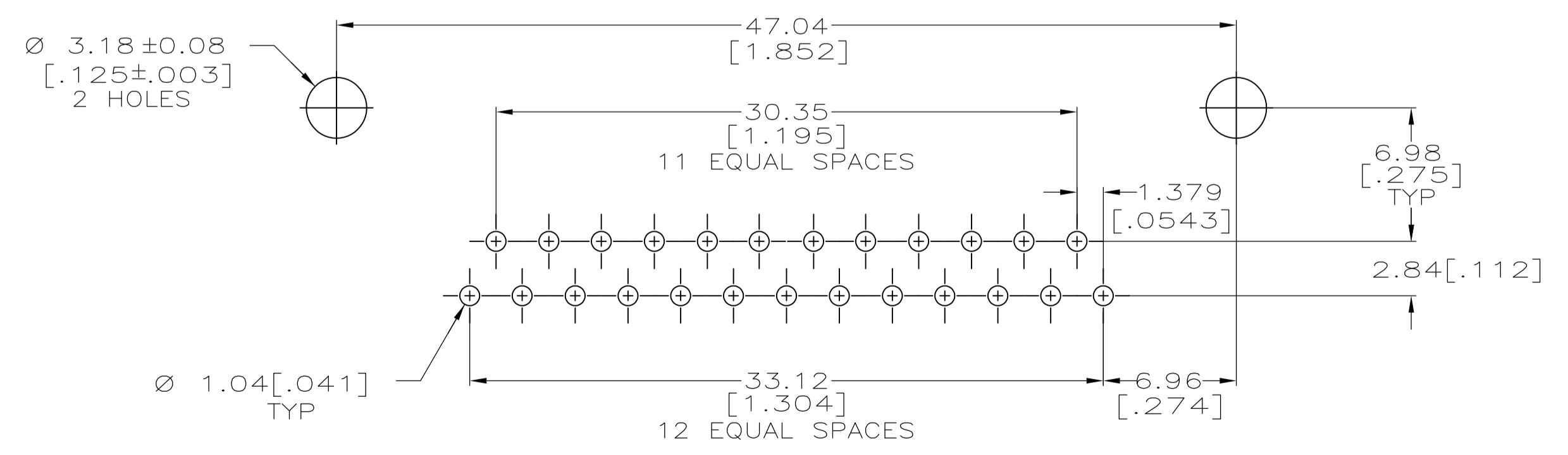
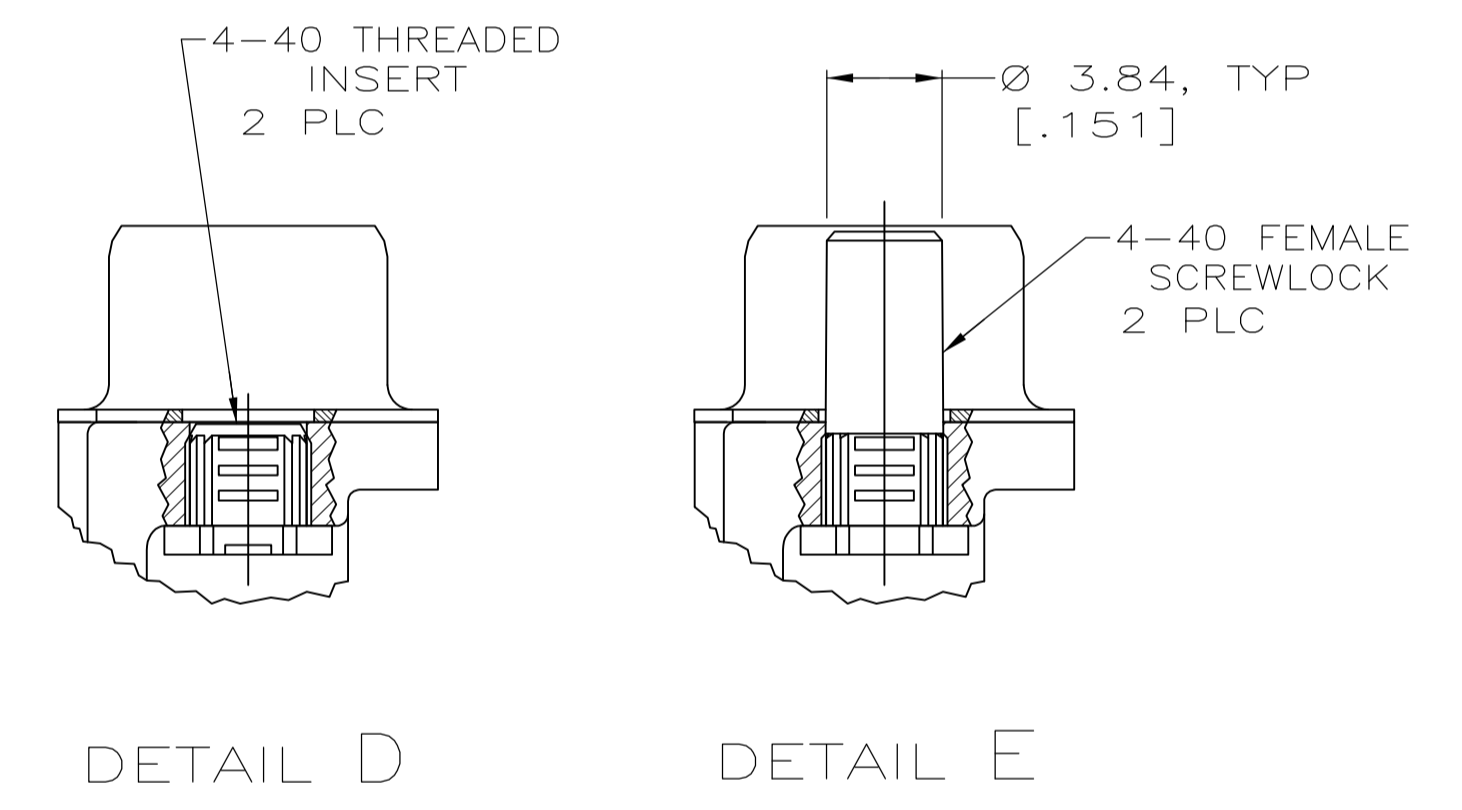
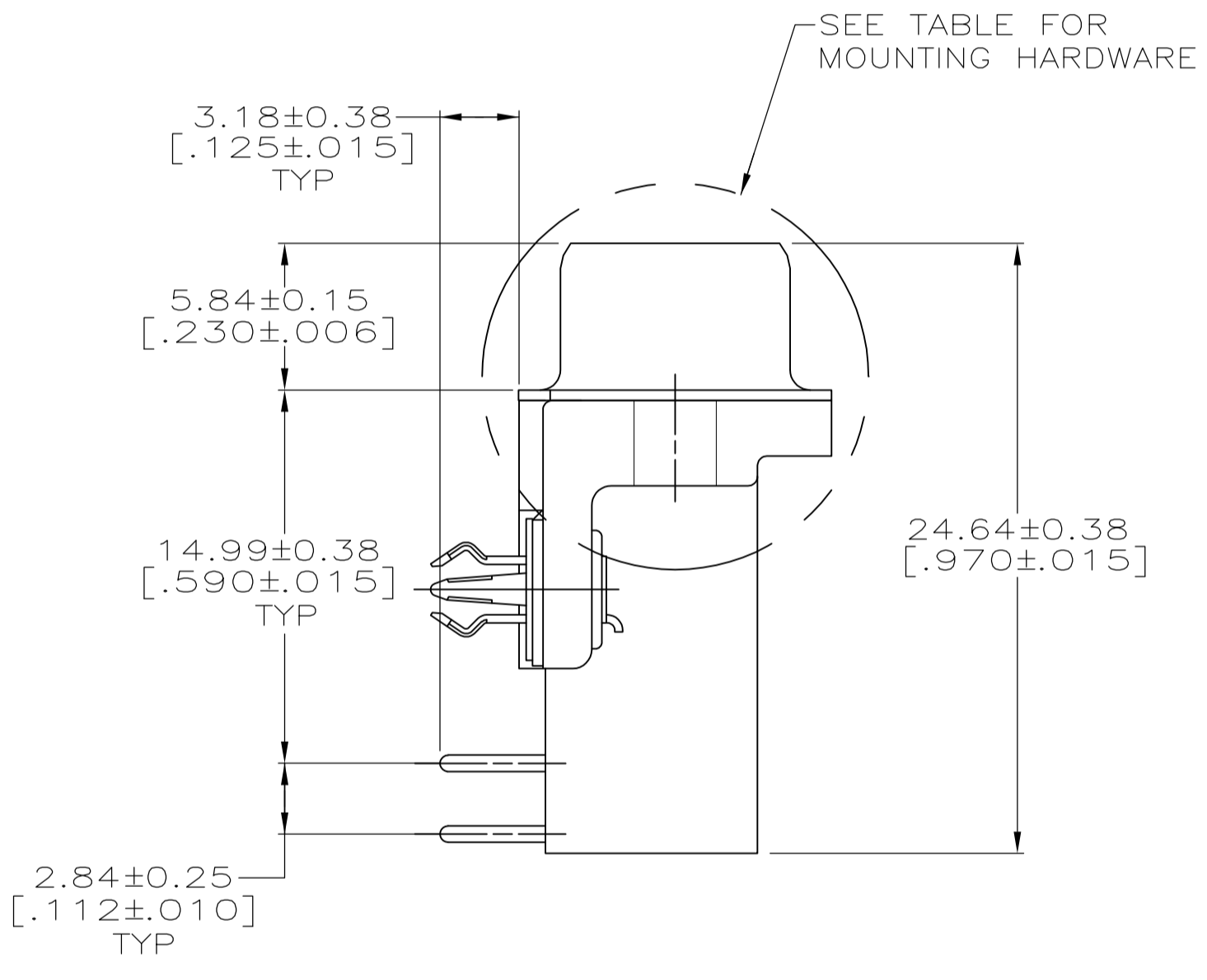
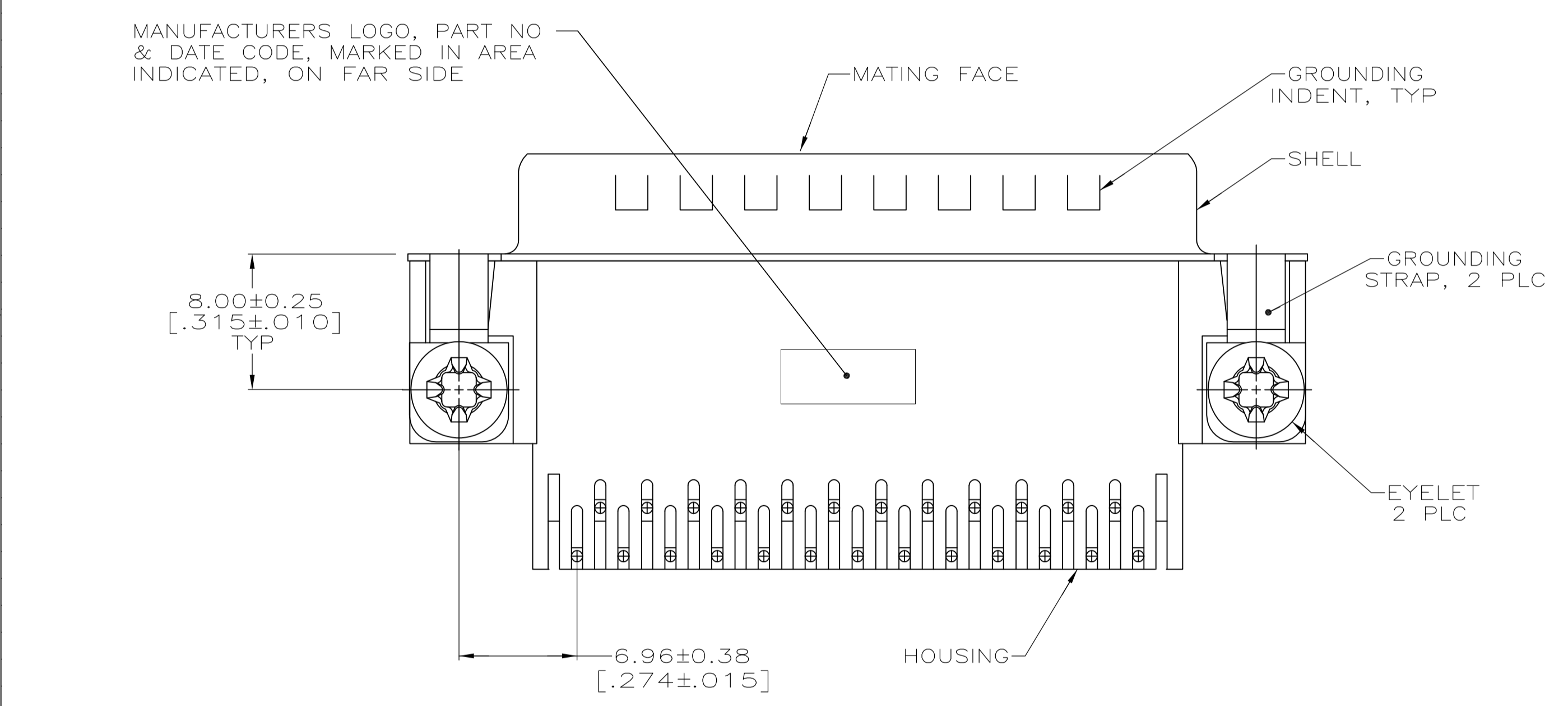


- 1 HOUSING: NYLON OR POLYESTER, FLAME RETARDANT, UL 94V-0 RATED, GLASS FILLED, BLACK.  
CONTACTS: BRASS  
SHELL: CARBON STEEL  
EYELETS: BRASS.  
BOARDLOCKS: COPPER ALLOY  
SCREWLOCKS & INSERTS: ZINC
- 2 SHELL:  $2.54 \mu\text{m}$  [.000100] MIN TIN OVER  $1.27 \mu\text{m}$  [.000050] MIN COPPER.  
EYELETS:  $2.54 \mu\text{m}$  [.000100] MIN TIN OVER COPPER FLASH.  
BOARDLOCKS:  $3.81 \mu\text{m}$  [.000150] MIN TIN OVER  $1.27 \mu\text{m}$  [.000050] MIN NICKEL.  
CONTACTS:  $0.76 \mu\text{m}$  [.000030] MIN GOLD PLATE ON THE MATING SURFACES,  
 $2.54 \mu\text{m}$  [.000100] MIN TIN PLATE ON THE SOLDER END,  
 $1.27 \mu\text{m}$  [.000050] MIN NICKEL UNDERPLATE ON THE ENTIRE CONTACT  
-OR-  
GOLD FLASH OVER PALLADIUM-NICKEL PLATE,  $0.76 \mu\text{m}$  [.000030] MIN TOTAL ON THE MATING SURFACES,  $2.54 \mu\text{m}$  [.000100] MIN TIN PLATE ON THE SOLDER END,  $1.27 \mu\text{m}$  [.000050] MIN NICKEL UNDERPLATE ON THE ENTIRE CONTACT.  
SCREWLOCKS & INSERTS: CLEAR CHROMATE.



RECOMMENDED P.C. BOARD MOUNTING DIMENSIONS  
P.C. BOARD THICKNESS:  $1.57$  [.062]

**COPYRIGHT 2005**  
**TYCO ELECTRONICS CORP**  
**ALL RIGHTS RESERVED**

SEE DETAIL E	5747834-6
SEE DETAIL D	5747834-4
MOUNTING HARDWARE	PART NUMBER

THIS DRAWING IS A CONTROLLED DOCUMENT. DIMENSIONING AND TOLERANCING PER ASME Y14.5M-2009		DIN G. ATTADIA - DOCKS 04-11-05		CIVIL S. BOLASH 04-11-05		APVD M. WALMSLEY 04-11-05		NAME																			
DIMENSIONS: mm [INCHES]		TOLERANCES UNLESS OTHERWISE SPECIFIED:		PRODUCT SPEC		APPLICATION SPEC		RESTRICTED TO																			
<table border="1"> <tr> <td>0 PLC</td> <td>± .005</td> </tr> <tr> <td>1 PLC</td> <td>± .005</td> </tr> <tr> <td>2 PLC</td> <td>± .005</td> </tr> <tr> <td>3 PLC</td> <td>± .010 [.005]</td> </tr> <tr> <td>4 PLC</td> <td>± .010 [.005]</td> </tr> </table>		0 PLC	± .005	1 PLC	± .005	2 PLC	± .005	3 PLC	± .010 [.005]	4 PLC	± .010 [.005]	<table border="1"> <tr> <td>0.005</td> <td>± .005</td> </tr> <tr> <td>0.010</td> <td>± .010</td> </tr> <tr> <td>0.015</td> <td>± .015</td> </tr> <tr> <td>0.020</td> <td>± .020</td> </tr> </table>		0.005	± .005	0.010	± .010	0.015	± .015	0.020	± .020	108-40025		114-40010		A1 00779 C=5747834	
0 PLC	± .005																										
1 PLC	± .005																										
2 PLC	± .005																										
3 PLC	± .010 [.005]																										
4 PLC	± .010 [.005]																										
0.005	± .005																										
0.010	± .010																										
0.015	± .015																										
0.020	± .020																										
MATERIAL		FINISH		WEIGHT		SCALE		SHEET																			
1		2		4:1		1 OF 1		REV C																			

# Mouser Electronics

Authorized Distributor

Click to View Pricing, Inventory, Delivery & Lifecycle Information:

[TE Connectivity:](#)

[5747834-6](#)