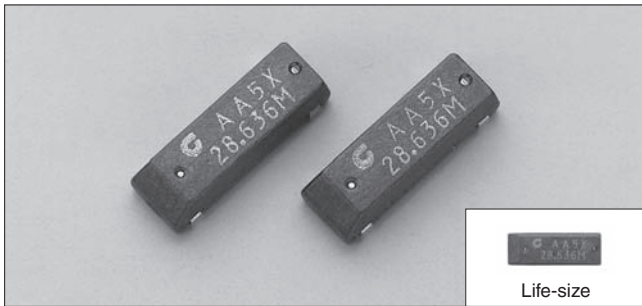


AT-CUT CRYSTAL UNIT (SMD • Plastic Package)

CM309S

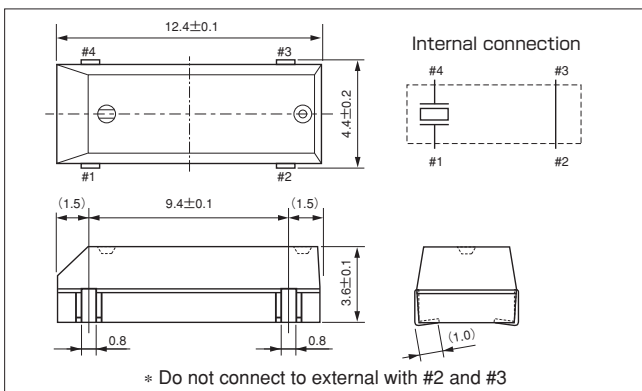
1000pcs/reel



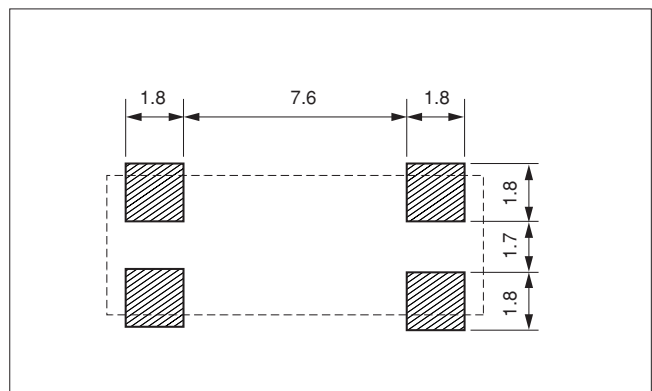
FEATURES

- Embedded with heat resistant cylinder type crystal bring highly stable characteristics.
- Automatic mounting and reflowable type.
- Suitable for various applications such as communication devices, AV devices, automotive devices and measuring instruments.

DIMENSION [mm]



SOLDER PAD LAYOUT [mm]



STANDARD SPECIFICATIONS

Item	Model	CM309S	Conditions
Nominal Frequency	f_0	3.5MHz~34.0MHz (Fundamental)	Need to contact us for the available frequency
		27.0MHz~70.0MHz (3rd Overtone)	
Frequency Tolerance	$\Delta f/f_0$	± 30 ppm	at 25°C
Frequency Tolerance over Operating Temperature Range	$\Delta f/f_0$	below 6.0MHz: ± 50 ppm	-10°C ~ +60°C
		above 6.0MHz: ± 30 ppm	See figure 3 in P4
Operating Temperature Range	T_{OPR}	-40°C ~ +85°C	
Storage Temperature Range	T_{STR}	-55°C ~ +125°C	
Motional (series) resistance	R_1	Refer to the following table	at 25°C
Load capacitance	C_L	16.0pF, 18.0pF	Need to specify your requirement
Shunt capacitance	C_0	7.0pF Max.	
Level of drive	DL	100 μ W	
Insulation Resistance	I_R	500M Ω Min.	DC100V ± 15 V
Aging (first year)	$\Delta f/f_0$	± 5 ppm Max.	25°C ± 3 °C

MOTIONAL (SERIES) RESISTANCE (R_1)

Frequency Range	$3.5\text{MHz} \leq f_0 < 4.0\text{MHz}$	$4.0\text{MHz} \leq f_0 < 6.0\text{MHz}$	$6.0\text{MHz} \leq f_0 < 10\text{MHz}$	$10\text{MHz} \leq f_0 < 27\text{MHz}$	$27\text{MHz} \leq f_0 < 36\text{MHz}$	$36\text{MHz} \leq f_0 \leq 70\text{MHz}$
Mode	Fundamental	Fundamental	Fundamental	Fundamental	Fundamental	3rd Overtone
R_1	200 Ω Max.	150 Ω Max.	100 Ω Max.	50 Ω Max.	50 Ω Max.	100 Ω Max.
						80 Ω Max.

Mouser Electronics

Authorized Distributor

Click to View Pricing, Inventory, Delivery & Lifecycle Information:

Citizen:

[CM30919.440MABJ-UT](#) [CM309S-36.000MABJ-UT](#) [CM309S-53.125MABJ-UT](#) [CM309S-5.000MABJ-UT](#) [CM309S-14.7456MABJ-UT](#) [CM309S-49.152MABJ-UT](#) [CM309S-3.6864MABJ-UT](#) [CM309S-20.480MABJ-UT](#) [CM309S-22.1184MABJ-UT](#) [CM309S-12.500MABJ-UT](#) [CM309S-11.0592MABJ-UT](#) [CM309S-16.000MABJ-UT](#) [CM309S-24.7456MABJ-UT](#) [CM309S-14.31818MABJ-UT](#) [CM309S-27.000MABJ-UT](#) [CM309S-3.579545MABJ-UT](#) [CM309S-10.000MABJ-UT](#) [CM309S-6.000MABJ-UT](#) [CM309S-15.360MABJ-UT](#) [CM309S-4.195212MABJ-UT](#) [CM309S-16.384MABJ-UT](#) [CM309S-32.768MABJ-UT](#) [CM309S-16.666MABJ-UT](#) [CM309S-12.000MABJ-UT](#) [CM309S-16.000312MABJ-UT](#) [CM309S-29.4912MABJ-UT](#) [CM309S-18.000MABJ-UT](#) [CM309S-9.8304MABJ-UT](#) [CM309S-19.6608MABJ-UT](#) [CM309S-8.250MABJ-UT](#) [CM309S-14.1400MABA-UT](#) [CM309S-11.2896MABJ-UT](#) [CM309S-4.9152MABJ-UT](#) [CM309S-64.000MABJ-UT](#) [CM309S-12.288MABJ-UT](#) [CM309S-20.000MABJ-UT](#) [CM309S-4.000MABJ-UT](#) [CM309S-40.000MABJ-UT](#) [CM309S-19.440MABJ-UT](#) [CM309S-8.000MABJ-UT](#) [CM309S-7.3728MABJ-UT](#) [CM309S-13.500MABJ-UT](#) [CM309S-66.666MABJ-UT](#) [CM309S-30.000MABJ-UT](#) [CM309S-24.000MABJ-UT](#) [CM309S-25.000MABK-UT](#) [CM309S-50.000MABJ-UT](#) [CM309S-24.576MABJ-UT](#) [CM309S-7.680MABJ-UT](#) [CM309S-15.000MABJ-UT](#) [CM309S-6.144MABJ-UT](#) [CM309S-33.000MABJ-UT](#) [CM309S-28.63636MABJ-UT](#) [CM309S-60.000MABJ-UT](#) [CM309S-48.000MABJ-UT](#) [CM309S-25.000MABJ-UT](#) [CM309S-8.192MABJ-UT](#) [CM309S-10.240MABJ-UT](#) [CM309S-4.096MABJ-UT](#) [CM309S-18.432MABJ-UT](#) [CM309S-16.666MABJ-UT](#) [CM309S-22.1184MAAK-UT](#) [CM309S4.000MAGJ-UT](#) [CM309S-20.000MABE-UT](#) [CM309S-10.000MABIUT](#) [CM309S-10.000MABKUT](#) [CM309S-10.000MBBIUT](#) [CM309S-11.0592MABIUT](#) [CM309S-11.0592MABKUT](#) [CM309S-11.0592MBBIUT](#) [CM309S-11.0592MABKUT](#) [CM309S-12.000MABKUT](#) [CM309S-14.7456MABKUT](#) [CM309S-15.360MBBIUT](#) [CM309S-16.000MABKUT](#) [CM309S-19.6608MABKUT](#) [CM309S-20.000MABKUT](#) [CM309S-20.000MABEUT](#) [CM309S-20.000MBBIUT](#) [CM309S-22.1184MABJUT](#) [CM309S-24.000MABKUT](#) [CM309S-3.579545MABKUT](#) [CM309S-3.579545MABJUT](#) [CM309S-3.6864MBBIUT](#) [CM309S-3.6864MABKUT](#) [CM309S-3.6864MBCKUT](#) [CM309S-4.000MBBIUT](#) [CM309S-4.000MABKUT](#) [CM309S-4.096MBBIUT](#) [CM309S-4.194304MABKUT](#) [CM309S-4.194304MBBIUT](#) [CM309S-4.9152MABIUT](#) [CM309S-4.9152MABJUT](#) [CM309S-4.9152MABKUT](#) [CM309S-4.9152MBCKUT](#) [CM309S-5.000MABIUT](#) [CM309S-5.000MBBIUT](#) [CM309S-8.000MBBIUT](#) [CM309S-8.000MABKUT](#) [CM309S-9.8304MABKUT](#)