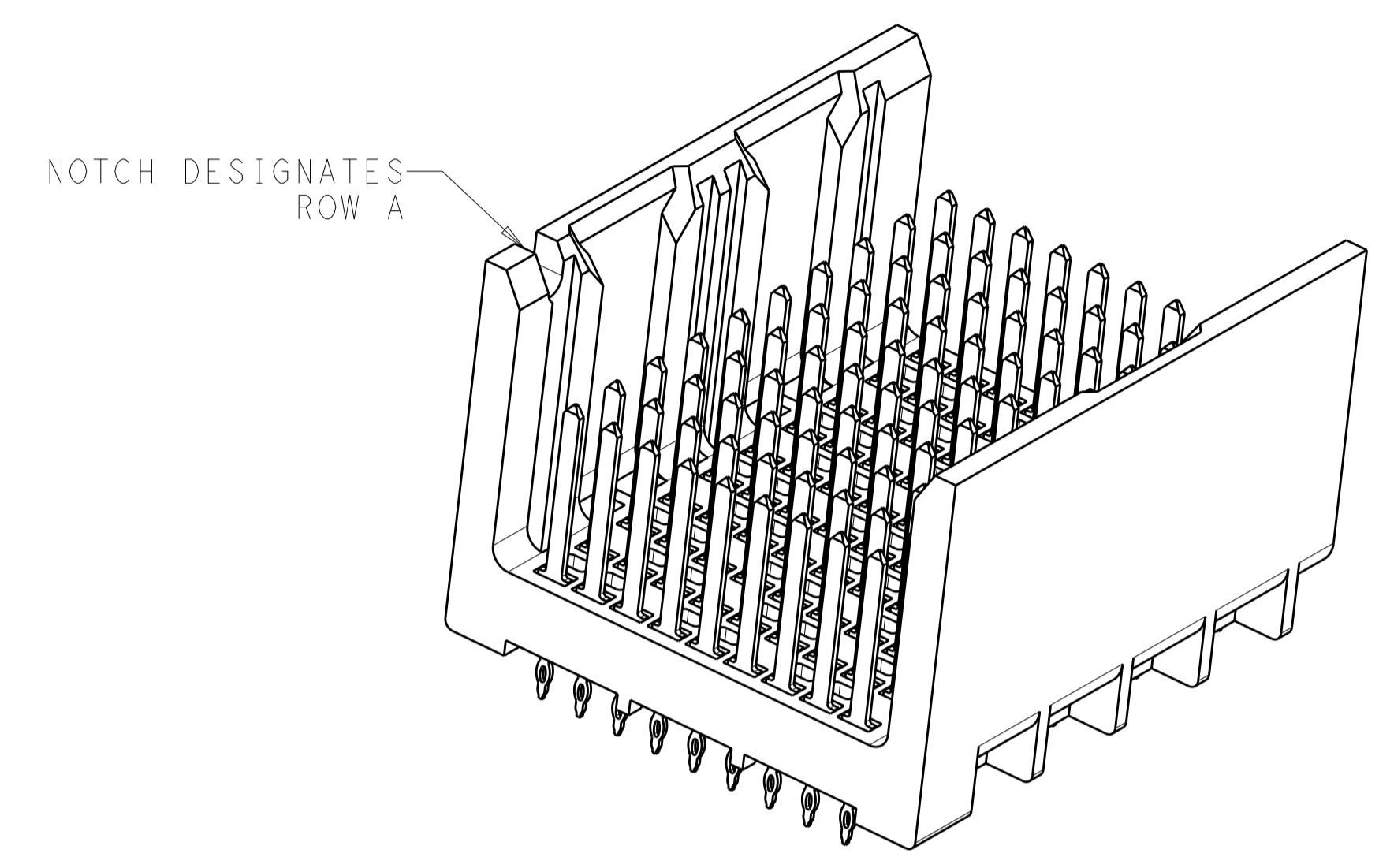
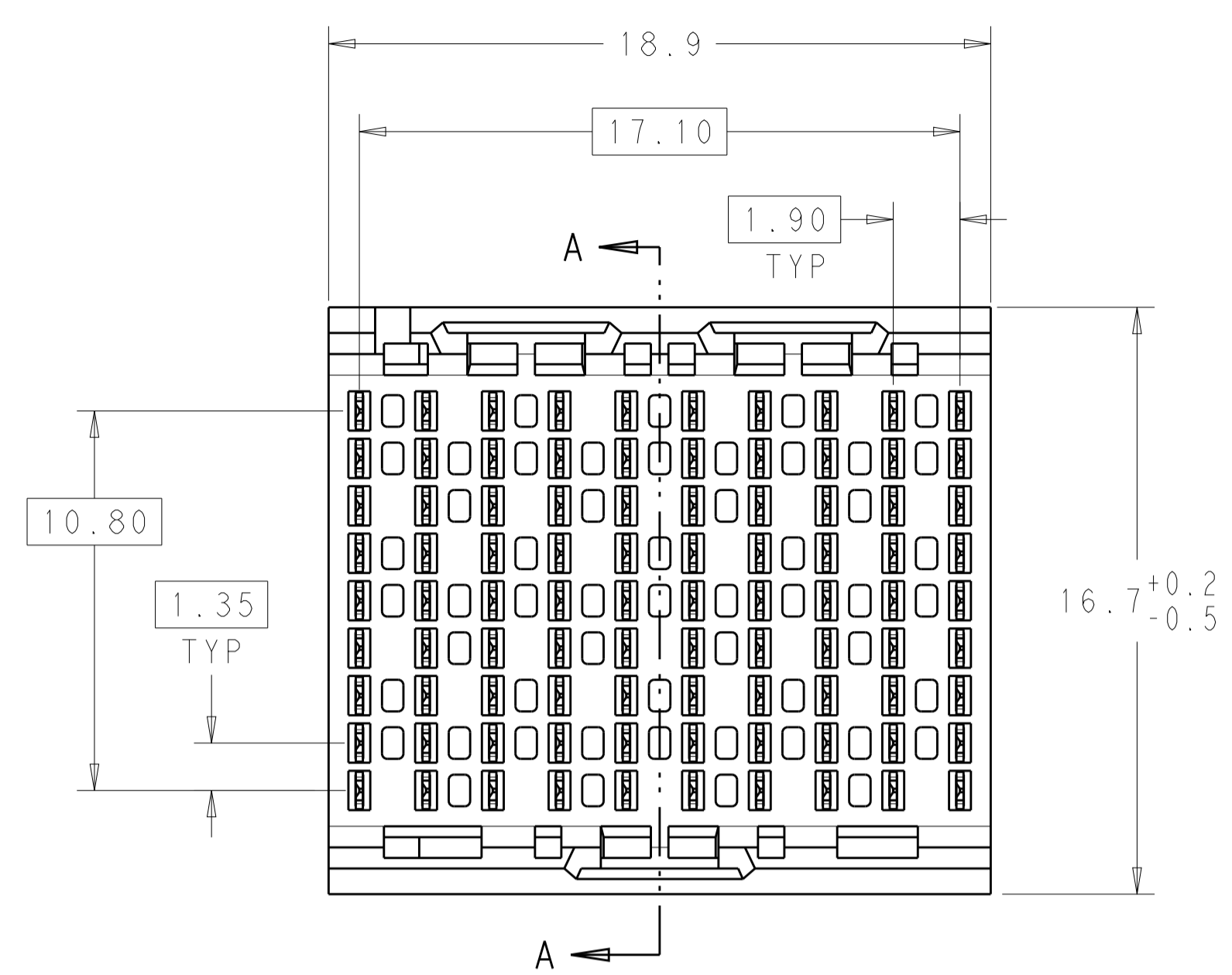
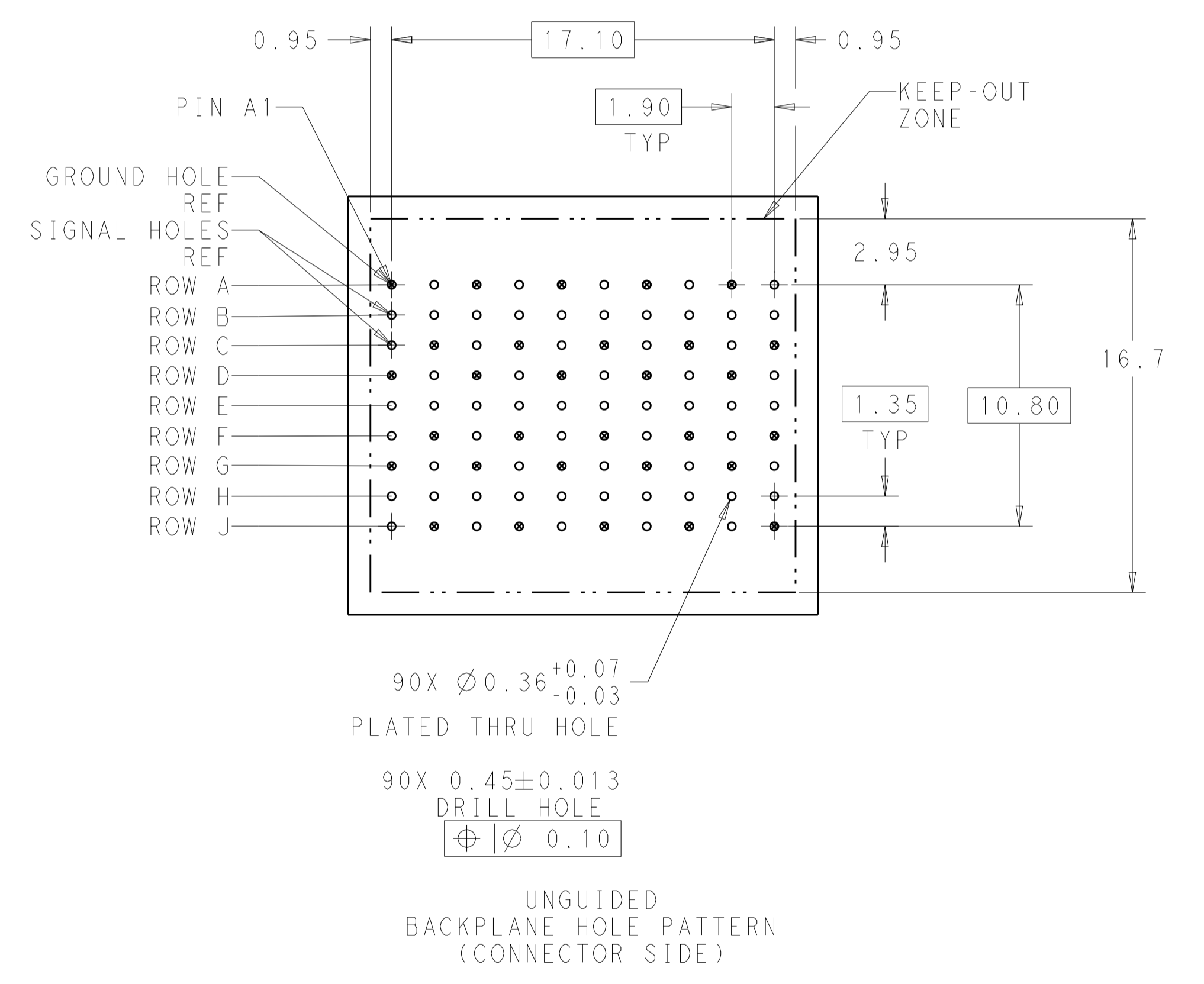
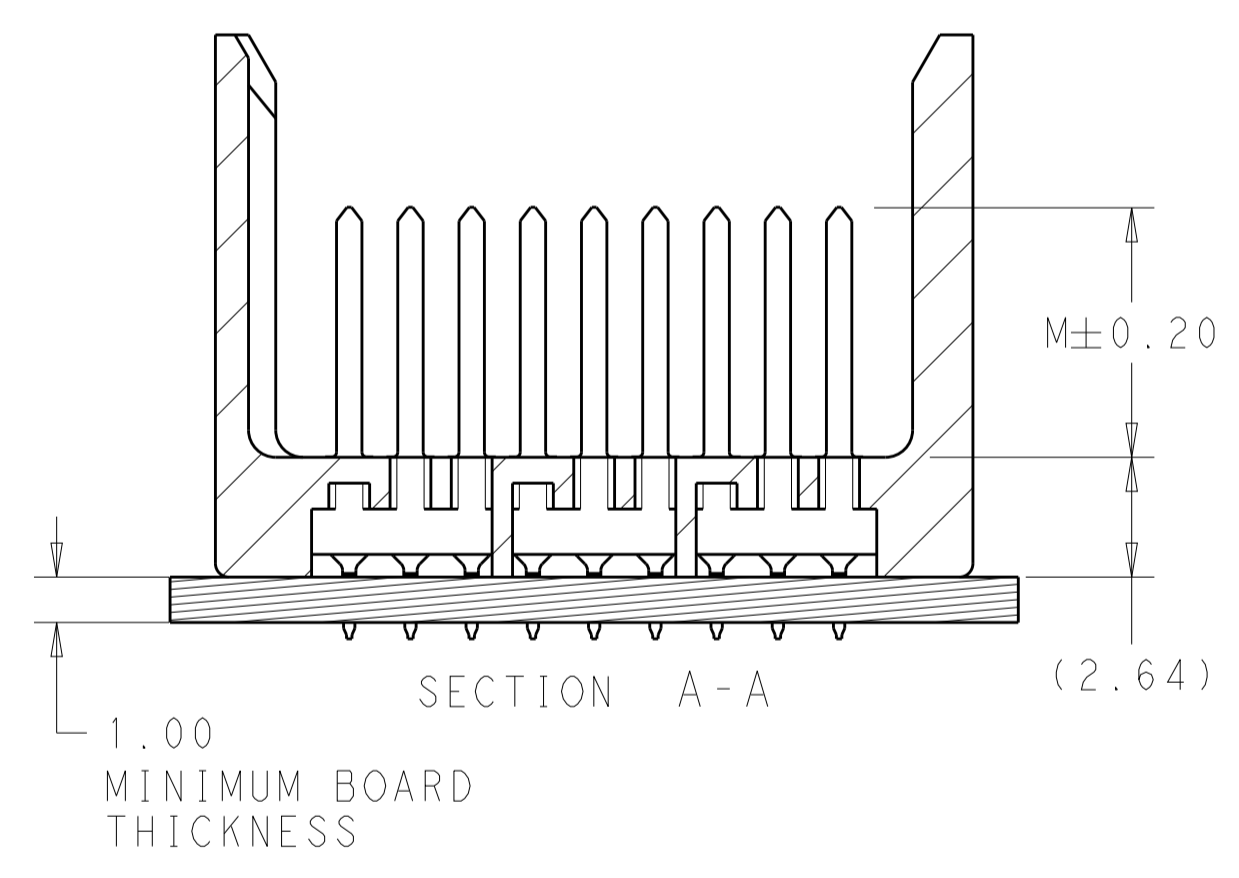
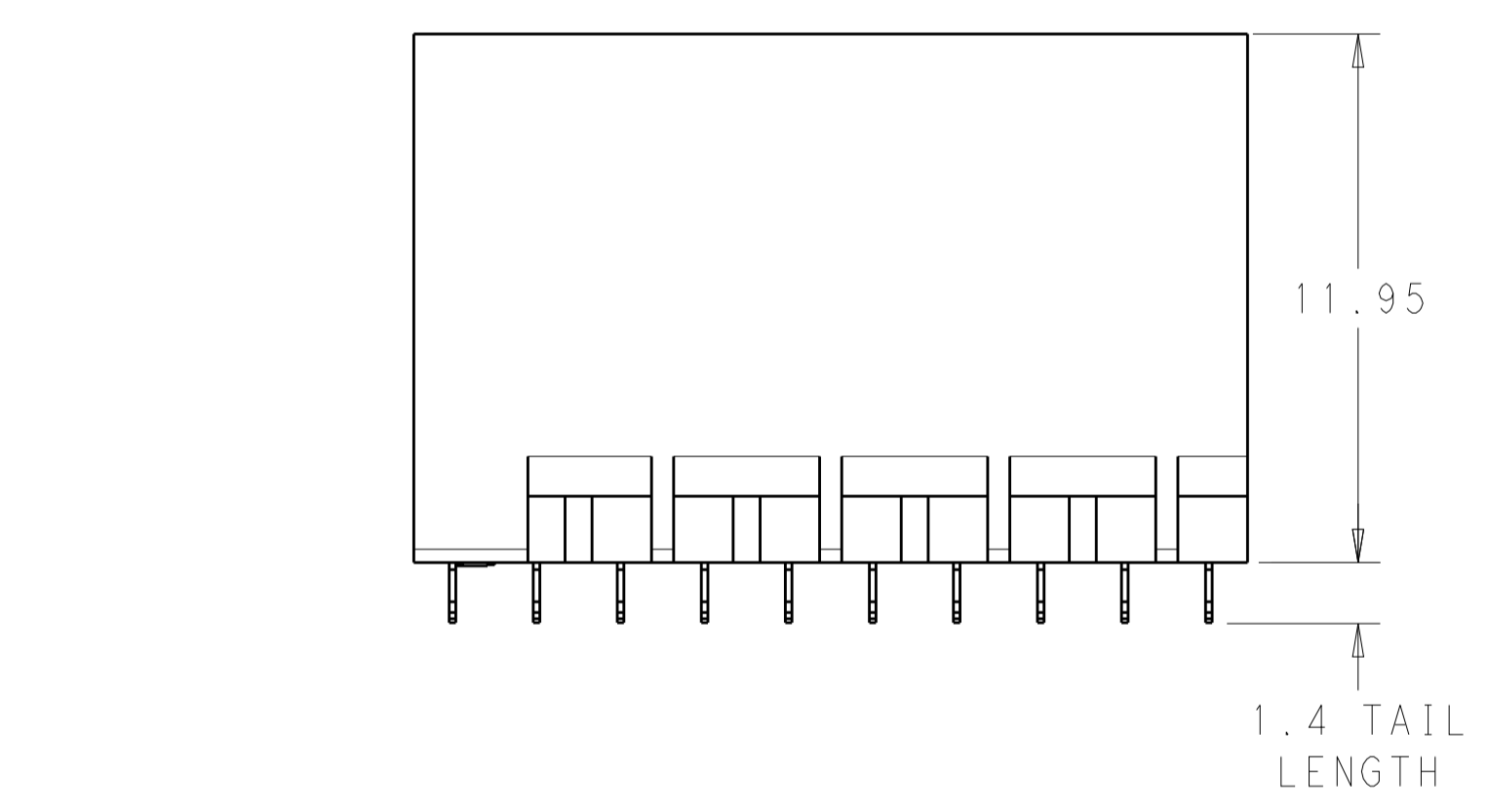


LOC	DIST	REVISIONS			
P	LTN	DESCRIPTION	DATE	DMN	APVD
E1		REVISED PER ECO-17-008265	19MAY2017	A. S.	S. Y.



⚠ MATERIAL:
HOUSING: LCP, GLASS FILLED, UL94V-0.
TERMINALS: HIGH PERFORMANCE COPPER ALLOY.

⚠ FINISH:
30μ" MIN GOLD IN CONTACT AREA. SELECTIVE TIN ON PCB TAILS, NICKEL OVERALL.



⚠	5.5	2007788-6
⚠	4.9	2007788-5
⚠	4.5	2007788-4
⚠	5.5	2007788-3
⚠	4.9	2007788-2
⚠	4.5	2007788-1
FINISH	DIM M	PART NUMBER

REFER TO WWW.TE.COM FOR PRODUCT AVAILABILITY

THIS DRAWING IS A CONTROLLED DOCUMENT.		DMN J. K. SHOBER 23DECT11	
DIMENSIONS: mm		CHK J. EARY 23DECT11	
TOLERANCES UNLESS OTHERWISE SPECIFIED:		APVD J. EARY 23DECT11	NAME IMPACT, 3 PAIR, 10 COLUMN, HEADER UNGUIDED, OPEN END WALL SIGNAL MODULE, 0.36 PTH
0 PLC ± 1 PLC ±0.25 2 PLC ±0.13 3 PLC ± 4 PLC ± ANGLES ±		PRODUCT SPEC	
MATERIAL		APPLICATION SPEC	SIZE CAGE CODE DRAWING NO
FINISH SEE TABLE		WEIGHT	A100779C=2007788
CUSTOMER DRAWING		SCALE 6:1	SHEET 1 OF 1 REV E1

Mouser Electronics

Authorized Distributor

Click to View Pricing, Inventory, Delivery & Lifecycle Information:

[TE Connectivity:](#)

[2007788-1](#)