

**zQSFP+/QSFP28**

TE Internal #: 2214593-2

QSFP, QSFP+ & zQSFP+, Cage Assembly with Integrated Connector, 2 x 2, Elastomeric Gasket, Included Lightpipe, Standard, zQSFP+/QSFP28

[View on TE.com >](#)
[Connectors > Pluggable IO Connectors & Cages > QSFP, QSFP+ & zQSFP+](#)
Pluggable I/O Product Type: **Cage Assembly with Integrated Connector**Port Matrix Configuration: **2 x 2**EMI Containment Feature Type: **Elastomeric Gasket**Included Lightpipe: **Yes**Enhancements: **Standard****Features****Product Type Features**

Form Factor	zQSFP+
Cage Type	Stacked
Pluggable I/O Product Type	Cage Assembly with Integrated Connector
Connector System	Cable-to-Board
Sealable	Yes
Connector & Contact Terminates To	Printed Circuit Board

Configuration Features

Port Matrix Configuration	2 x 2
Number of Ports	4
Lightpipe Configuration	Outer Left Indicator Up
Number of Rear EONs per Port Column	3
Number of Positions	152

Electrical Characteristics

Data Rate (Max)	28 Gb/s
-----------------	---------

Contact Features

Contact Mating Area Plating Material Thickness	.76 μ m[30 μ in]
Contact Mating Area Plating Material	Gold



Contact Underplating Material	Tin
PCB Contact Termination Area Plating Material	Gold
Contact Current Rating (Max)	.5 A

Termination Features

Termination Post & Tail Length	2 mm[.079 in]
Termination Method to Printed Circuit Board	Through Hole - Press-Fit

Mechanical Attachment

Connector Mounting Type	Board Mount
-------------------------	-------------

Housing Features

Cage Material	Nickel Silver
Centerline (Pitch)	.8 mm[.032 in]

Dimensions

PCB Thickness (Recommended)	1.57 mm[.062 in]
-----------------------------	------------------

Usage Conditions

Operating Temperature Range	-40 – 85 °C[-40 – 185 °F]
-----------------------------	---------------------------

Operation/Application

Heat Sink Compatible	No
For Use With Pluggable I/O Products	QSFP Cable Assembly, QSFP MSA Compatible Transceiver
Pluggable I/O Applications	SFP+ Stacked Belly-to-Belly
Circuit Application	Signal

Industry Standards

UL Flammability Rating	UL 94V-0
------------------------	----------

Packaging Features

Packaging Method	Box & Tray
------------------	------------

Other

EMI Containment Feature Type	Elastomeric Gasket
Included Lightpipe	Yes
Enhancements	Standard

Product Compliance

For compliance documentation, visit the product page on TE.com>



EU RoHS Directive 2011/65/EU	Compliant
EU ELV Directive 2000/53/EC	Compliant
China RoHS 2 Directive MIIT Order No 32, 2016	No Restricted Materials Above Threshold
EU REACH Regulation (EC) No. 1907/2006	Current ECHA Candidate List: JAN 2023 (233) Candidate List Declared Against: JAN 2023 (233) Does not contain REACH SVHC
Halogen Content	Low Bromine/Chlorine - Br and Cl < 900 ppm per homogenous material. Also BFR /CFR/PVC Free
Solder Process Capability	Not applicable for solder process capability

Product Compliance Disclaimer

This information is provided based on reasonable inquiry of our suppliers and represents our current actual knowledge based on the information they provided. This information is subject to change. The part numbers that TE has identified as EU RoHS compliant have a maximum concentration of 0.1% by weight in homogenous materials for lead, hexavalent chromium, mercury, PBB, PBDE, DBP, BBP, DEHP, DIBP, and 0.01% for cadmium, or qualify for an exemption to these limits as defined in the Annexes of Directive 2011/65/EU (RoHS2). Finished electrical and electronic equipment products will be CE marked as required by Directive 2011/65/EU. Components may not be CE marked. Additionally, the part numbers that TE has identified as EU ELV compliant have a maximum concentration of 0.1% by weight in homogenous materials for lead, hexavalent chromium, and mercury, and 0.01% for cadmium, or qualify for an exemption to these limits as defined in the Annexes of Directive 2000/53/EC (ELV). Regarding the REACH Regulation, the information TE provides on SVHC in articles for this part number is based on the latest European Chemicals Agency (ECHA) 'Guidance on requirements for substances in articles' posted at this URL: <https://echa.europa.eu/guidance-documents/guidance-on-reach>

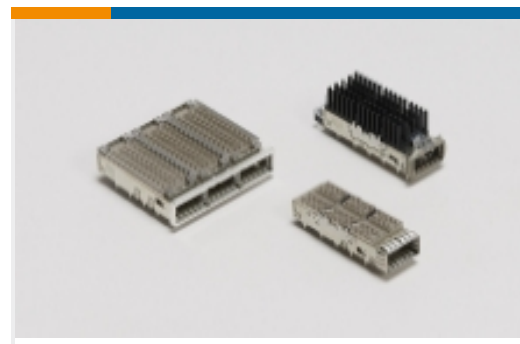
Compatible Parts



Also in the Series | zQSFP+/QSFP28

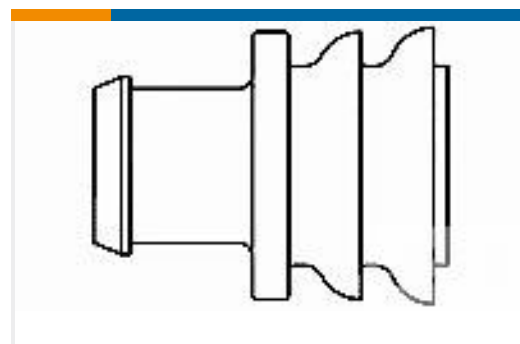


Pluggable I/O Cable Assemblies(81)



QSFP, QSFP+ & zQSFP+(432)

Customers Also Bought

TE Part #206070-8
CABLE CLAMP KIT #17TE Part #DT06-2S
PLG, 2P, GRY, NTE Part #W2S
Wedge locks: DEUTSCH DTTE Part #0460-202-16141
DEUTSCH Solid ContactsTE Part #282104-1
AMP SUPERSEAL 1.5MM,
CONNECTOR HOUSINGTE Part #281934-2
SINGLE WIRE SEALTE Part #DT04-2P
REC, 2P, GRY, N

Documents

CAD Files

3D PDF

3D

Customer View Model

[ENG_CVM_CVM_2214593-2_A.2d_dxf.zip](#)

English

Customer View Model

[ENG_CVM_CVM_2214593-2_A.3d_igs.zip](#)

English

Customer View Model

[ENG_CVM_CVM_2214593-2_A.3d_stp.zip](#)

English

By downloading the CAD file I accept and agree to the [Terms and Conditions](#) of use.

Datasheets & Catalog Pages

[QSFP28/56 and zQSFP+ Interconnects](#)

English



Product Specifications

Product Specification

English

Product Environmental Compliance

TE Material Declaration

English