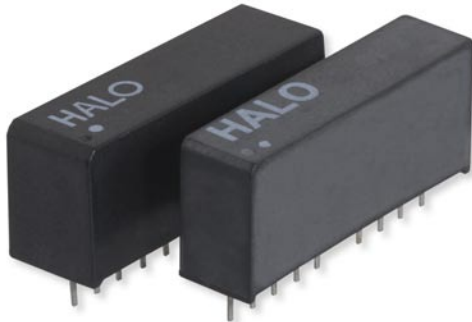


10BASE-T Filter Modules

SIP & Slim SIP Packages with Optional Chokes



Product Features:

- Standard series of 100Ω and 50Ω/100Ω filter modules to specifically address the 10BASE-T requirements of IEEE 802.3
- Choice of regular or slim packages
- Optional TX or TX/RX chokes
- Available for most LAN IC manufacturer's products

Part Number	SIP Package		Optional CMR Chokes	Schematic/Package
	Transmit	Receive		
FS02-101Y2RL	100Ω Transformer + Filter	100Ω Transformer + Filter	–	Y2/A
FS12-101Y2RL	100Ω Transformer + Filter	100Ω Transformer + Filter	TX	Y2/A
FS22-101Y2RL	100Ω Transformer + Filter	100Ω Transformer + Filter	TX / RX	Y2/A
FS02-114Y2RL	50Ω Transformer + Filter	100Ω Transformer + Filter	–	Y2/B
FS12-114Y2RL	50Ω Transformer + Filter	100Ω Transformer + Filter	TX	Y2/B
FS22-114Y2RL	50Ω Transformer + Filter	100Ω Transformer + Filter	TX / RX	Y2/B

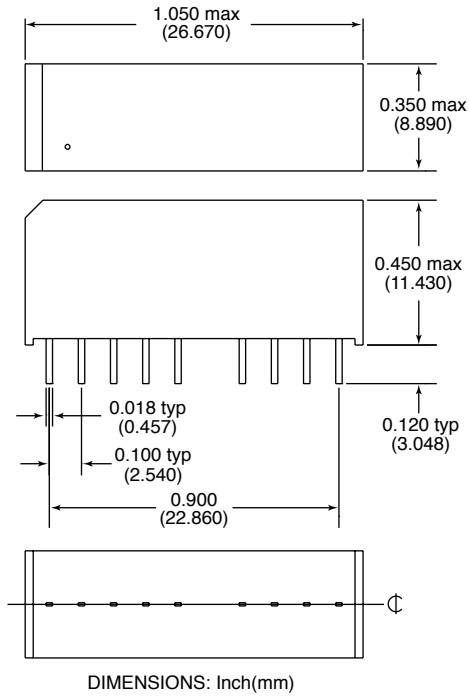
Part Number	Slim SIP Package		Optional CMR Chokes	Schematic/Package
	Transmit	Receive		
FS02-101Y4RL	100Ω Transformer + Filter	100Ω Transformer + Filter	–	Y4/A
FS12-101Y4RL	100Ω Transformer + Filter	100Ω Transformer + Filter	TX	Y4/A
FS22-101Y4RL	100Ω Transformer + Filter	100Ω Transformer + Filter	TX / RX	Y4/A
FS02-114Y4RL	50Ω Transformer + Filter	100Ω Transformer + Filter	–	Y4/B
FS12-114Y4RL	50Ω Transformer + Filter	100Ω Transformer + Filter	TX	Y4/B
FS22-114Y4RL	50Ω Transformer + Filter	100Ω Transformer + Filter	TX / RX	Y4/B

Electrical Specifications @ 25°C

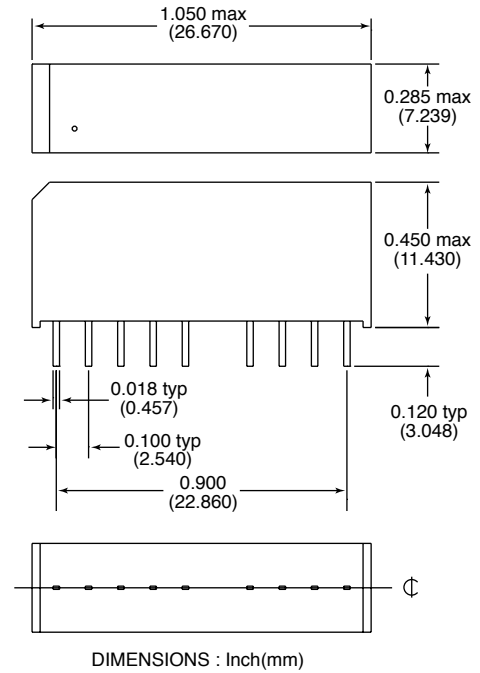
Dielectric Withstanding Voltage: 2,000Vrms
 Insertion Loss (5-10MHz): -1 dB Max.
 Return Loss (5-10MHz): -20 dB Min.
 Cross Talk (1-10MHz): -30 dB Min.
 Attenuation @ 30MHz: Transmit -27 dB Min.
 Receive -18 dB Min.
 Cutoff Frequency: 17 MHz Typ.

10BASE-T Filter Modules

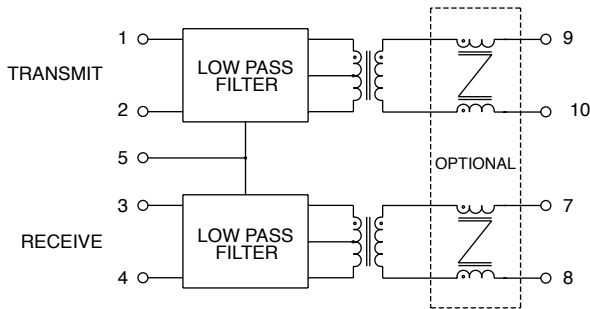
Package Y2



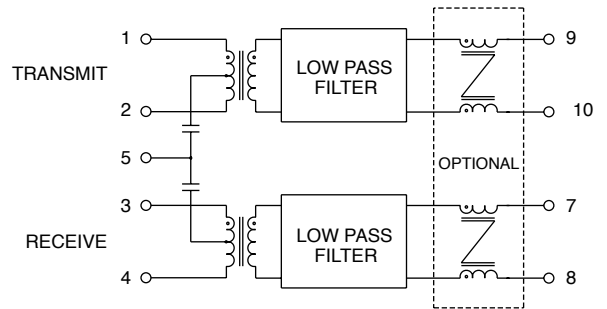
Package Y4



Schematic A



Schematic B



HALO
ELECTRONICS, INC.

2880 Lakeside Drive #116
Santa Clara, CA 95054
(650) 903-3800
www.haloelectronics.com

HALO® Electronics is a leading supplier of high quality communication magnetics including signal transformers, filters, CMR chokes, PoE power transformers, DC/DC converters, and integrated Ethernet connectors. HALO's leading edge technology solutions are manufactured in ISO9001 and ISO14001 factories offering high quality products at a competitive price.

Mouser Electronics

Authorized Distributor

Click to View Pricing, Inventory, Delivery & Lifecycle Information:

[HALO Electronics:](#)

[FS12-101Y4](#) [FS12-101Y2](#) [FS02-101Y4](#) [FS22-101Y4](#) [FS22-114Y4](#) [FS22-101Y2](#) [FS02-101Y2](#) [FS12-114Y4](#) [FS02-114Y4](#)