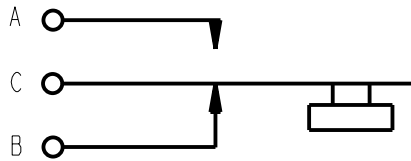


| PART NUMBER | BUTTON COLOR |
|-------------|--------------|
| ED903 | RED |
| ED913 | BLACK |

NOTES:

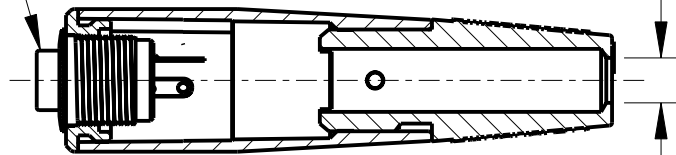
- MATERIALS:
 PUSHBUTTON - THERMOPLASTIC, SEE TABLE FOR COLOR
 SWITCH HOUSING & ADAPTER - BRASS, NICKEL PLATED
 SWITCH TERMINALS - BRASS, SILVER PLATED
 SWITCH SPRING - STAINLESS STEEL
 SWITCH INSULATORS - PHENOLIC
 HANDLE - ZINC ALLOY, NICKEL PLATED
 FLEX RELIEF - THERMOPLASTIC RUBBER, BLACK
 CLAMP PLATES - STAINLESS STEEL
 FLEX RELIEF SCREWS - STEEL, NICKEL PLATED

2. THESE PRODUCTS ARE RoHS COMPLIANT.

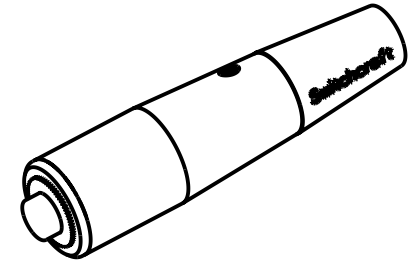


SCHEMATIC

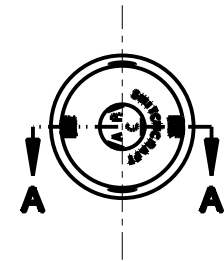
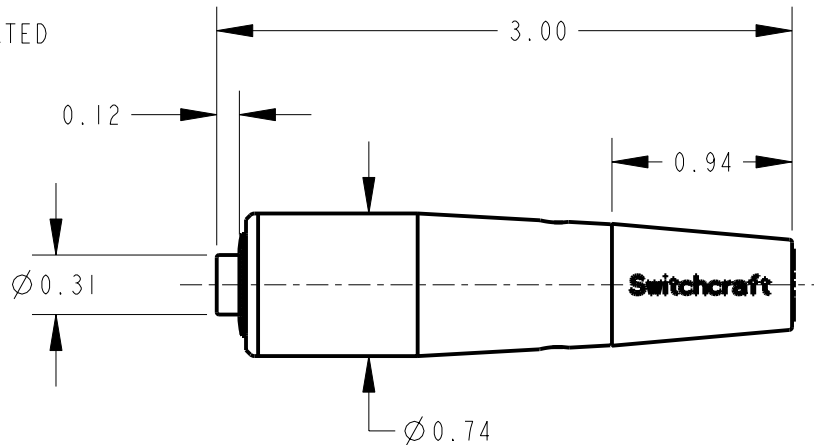
BUTTON COLOR
SEE TABLE



SECTION A-A



Ø 0.23
ACCEPTS CABLE
UP TO Ø 0.30



CUSTOMER DRAWING

| | | | | | | | | | | | |
|-----|------------|---------|-----|------|---|--|-------|----------------|----------------|--------|---------------------|
| | | | | | ★ STAR SYMBOL DENOTES CRITICAL DIMENSION | THIS DRAWING DESCRIBES A DESIGN CONSIDERED PROPRIETARY IN NATURE, DEVELOPED AND MANUFACTURED BY SWITCHCRAFT INC. AND IS RELEASED ON A CONFIDENTIAL BASIS FOR IDENTIFICATION PURPOSES ONLY. | | | | | |
| | | | | | UNLESS OTHERWISE SPECIFIED | SIZE | WIDTH | MULT | LBS/M | TEMPER | |
| | | | | | 1. ALL DIMENSIONS IN INCHES - TWO PLACE DECIMALS ±0.01 - THREE PLACE DECIMALS ±0.005 - ANGLES ±1° - ALL DIA. CONCENTRIC WITHIN 0.005 T.I.R. | FINISH | | | MATERIAL | | |
| | | | | | 2. FEATURES ON THE SAME CENTERLINE MUST BE ALIGNED WITHIN ±0.002 | SPEC No. | | | SPEC No. | | |
| | | | | | 3. REMOVE ALL BURRS | FIRST USED ON | | | SCALE | | Switchcraft® |
| | | | | | | | | | 1:1 | | |
| G | 21131 | 8-21-96 | TJK | TJK | | DATE DRAWN | BY | CHKD | APVD | | |
| | | | | | | 11-May-10 | WR | JS 11-28-78 | RV 11-28-78 | | |
| REV | ECO NUMBER | DATE | BY | APVD | | NAME | | | PART No. | | REV |
| | | | | | DO NOT SCALE DRAWING | CORD SWITCH, RoHS | | | ED903 & ED913 | | G |

REVISIONS

DO NOT SCALE DRAWING

CORD SWITCH, RoHS

PART No. ED903 & ED913

REV G

Mouser Electronics

Authorized Distributor

Click to View Pricing, Inventory, Delivery & Lifecycle Information:

[Switchcraft:](#)

[ED903](#) [ED913](#)