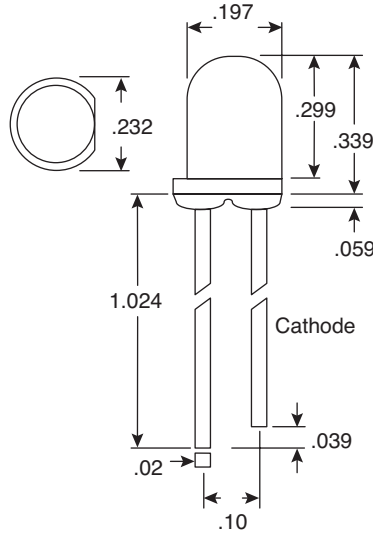




Dimensions (In.)



■ ABSOLUTE MAXIMUM RATINGS (Ta=25°C)

Parameter	351-5111-RC	351-5502-RC	351-5302-RC
Power Dissipation (mW):	100	100	75
Forward Current (mA):	30	30	30
Peak Forward Current (mA) (Duty 1/10@ 10KHz):	100	120	60
Reverse Current @ 5V (µA):	10	10	10
Operating Temperature Range:	-40°C to +85°C	-40°C to +85°C	-40°C to +85°C
Storage Temperature Range:	-40°C to +100°C	-40°C to +100°C	-40°C to +100°C
Lead Soldering Temperature:	.079 from body 260°C for 5 sec.	.079 from body 260°C for 5 sec.	.079 from body 260°C for 5 sec.

■ ELECTRICAL CHARACTERISTICS (Ta=25°C)

Characteristics	351-5111-RC	351-5502-RC	351-5302-RC
Dice Material:	GaAlAs	GaP	AlGaInP
Emitted Light Color:	Red	Green	Yellow
Lens Color:	Red Diffused	Green Diffused	Yellow Diffused
Forward Voltage (V) @ 20mA:	1.5 Typ./2.4 Max.	1.7 Typ./2.6 Max.	1.7 Typ./2.6 Max.
Peak Wavelength (nm):	660	565	590
Luminous Intensity (mcd) @ 10mA:	160 Min./300 Typ.	50 Min./90 Typ.	220 Min./350 Typ.
Viewing Angle:	36°	36°	36°

• T-1 3/4 Standard size: 5mm



Mouser Electronics

Authorized Distributor

Click to View Pricing, Inventory, Delivery & Lifecycle Information:

Xicon:

[351-5302-RC](#) [351-5111-RC](#) [351-5502-RC](#)