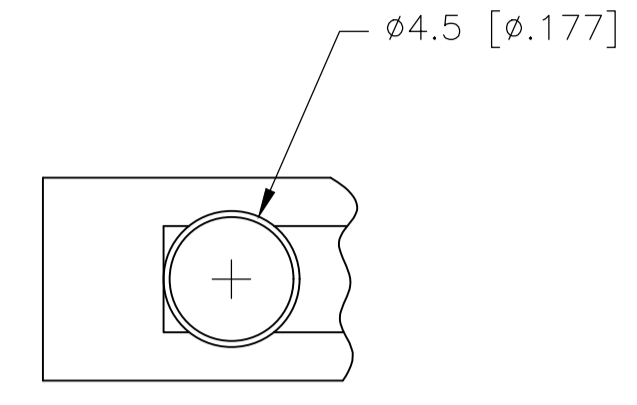
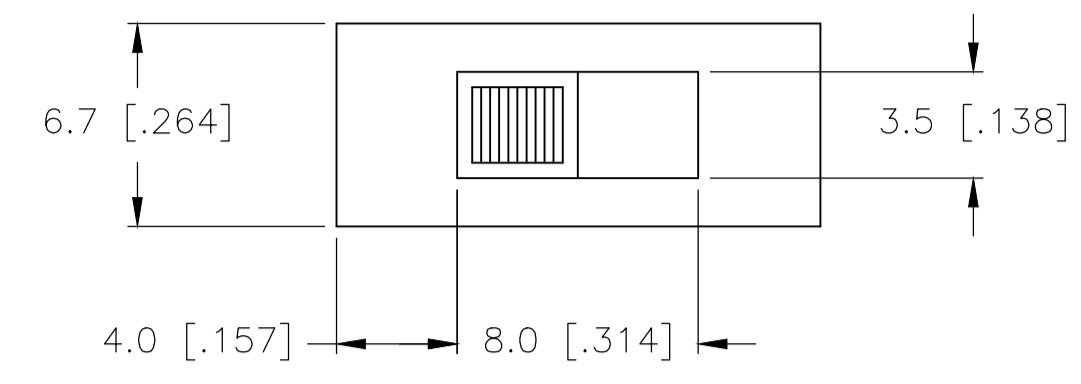


REVISIONS					
P	LTR	DESCRIPTION	DATE	DN	APVD
B2		REVISED PER ECR-19-007953	23MAY2019	SR	PO



SPECIFICATIONS
BREAK-BEFORE-MAKE

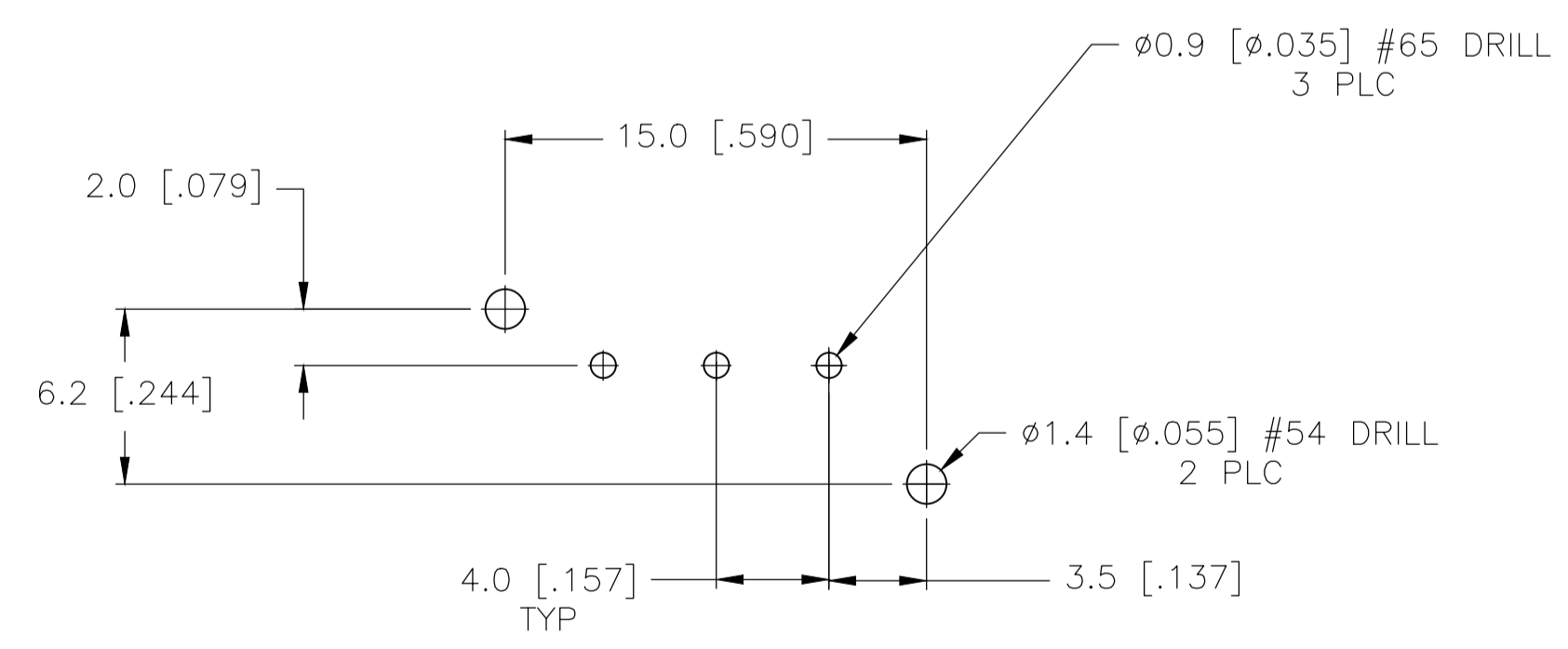
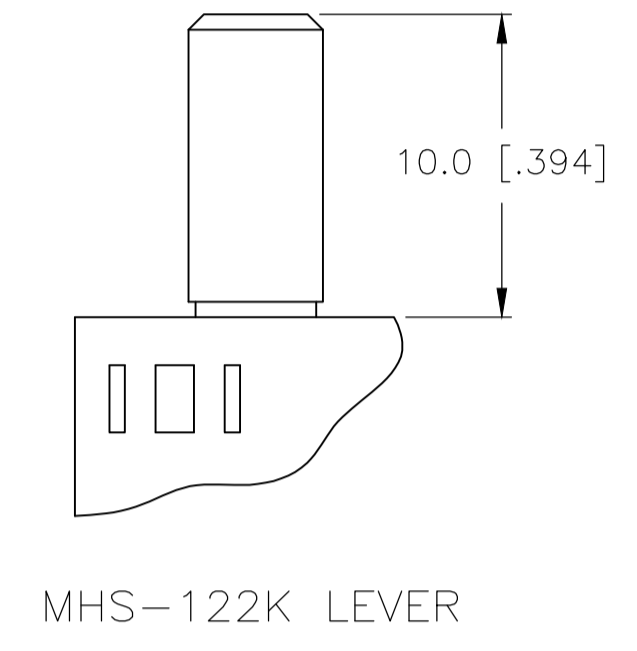
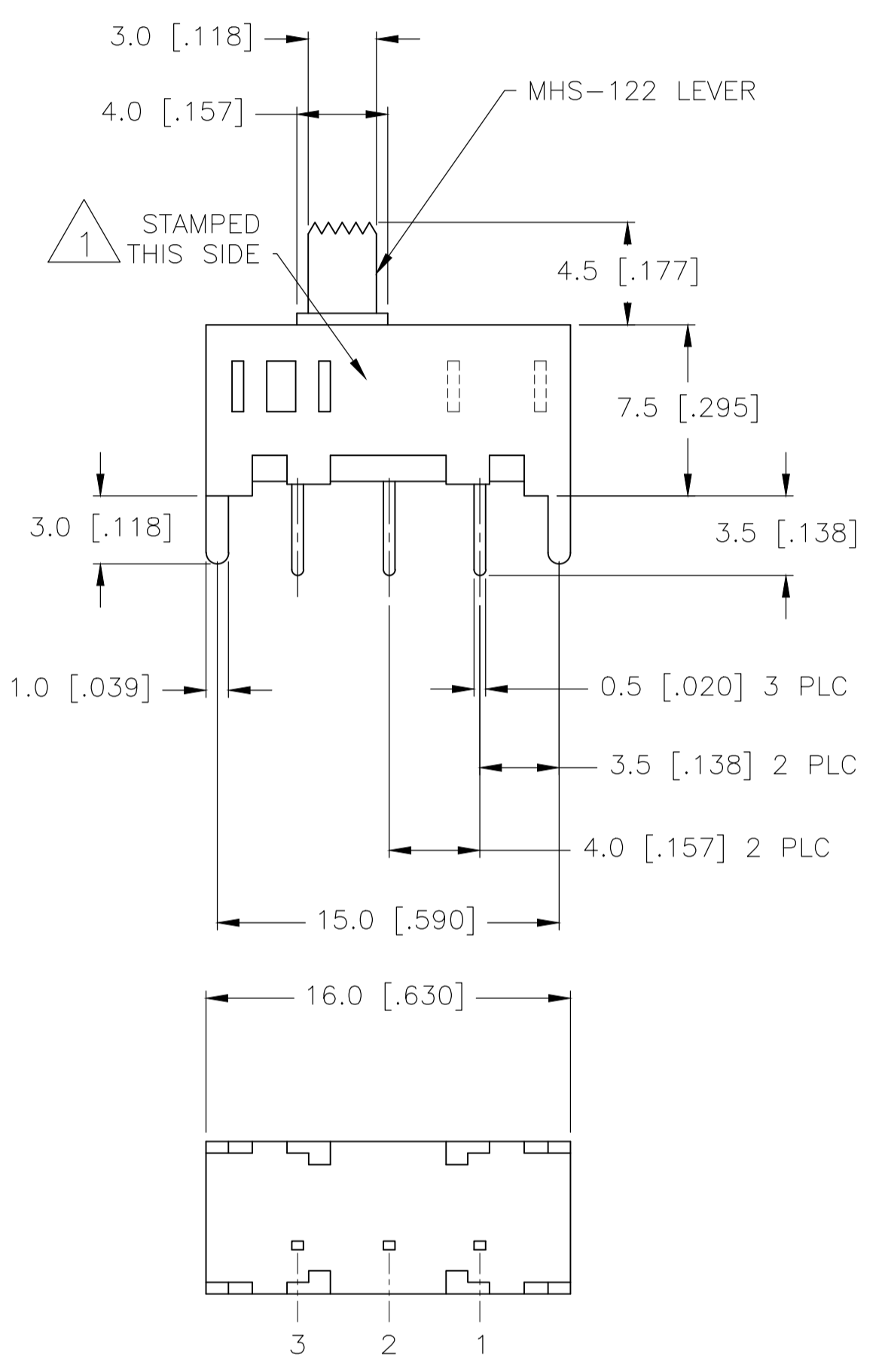
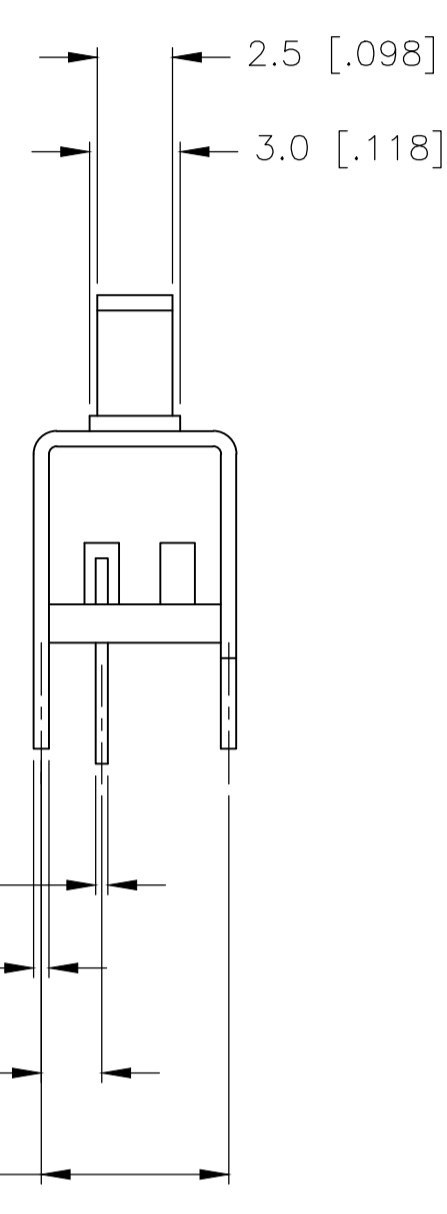
MATERIALS:
ACTUATOR- NYLON, UL94HB BLACK
TERMINAL BOARD- PHENOLIC LAMINATED SHEET, UL94HB, NATURAL
FRAME- STEEL, NICKEL PLATE
TERMINAL/FIXED CONTACT- COPPER ALLOY, GOLD OR SILVER OVER NICKEL PLATE
MOVING CONTACT- COPPER ALLOY, GOLD OR SILVER OVER NICKEL PLATE
DETENT BALL- STEEL
COIL SPRING- GALVANIZED SPRING WIRE
LEVER,(K SERIES ONLY)- ALUMINUM
SEAL- EPOXY

ELECTRICAL:
CONTACT RATING- .4VA@20VDC OR PEAK AC (GOLD); 300mA@125V AC (SILVER)
INITIAL CONTACT RESISTANCE- 30 milliohm max.
FINAL CONTACT RESISTANCE- 100 milliohm max. (AFTER TEST)
INSULATION RESISTANCE- 1,000 Megohms min.
DIELECTRIC STRENGTH- 500V RMS@SEA LEVEL
LIFE EXPECTANCY- 15,000 CYCLES MIN.

MECHANICAL:
ACTUATION FORCE - SEE P/N TABLE
TRAVEL- SEE P/N TABLE

ENVIRONMENTAL:
OPERATING TEMPERATURE- -20 TO +85 DEGREES C
STORAGE TEMPERATURE- -40 TO +100 DEGREES C
RESISTANCE TO SOLDER HEAT PER 109-202, CONDITION B
SOLDERABILITY PER EIA-364-52, CLASS 2, CATEGORY 1, 95% MIN COVERAGE

- 1 COUNTRY OF ORIGIN AND TE CONNECTIVITY LOGO LOCATED APPROXIMATELY AS SHOWN.
- 2 ALL MATERIALS AND FINISHES SHALL COMPLY WITH EU DIRECTIVE 2002/95/EC OF 27JAN2003 (ROHS).
- 3 ANTI SOLDER WICK SEAL AT TERMINAL TO BOARD INTERFACE.
- 4 ALL PERFORMANCE TESTING WAS DONE IN ACCORDANCE TO TE CONNECTIVITY SPECIFICATION 102-2469.
- 5 OBSOLETE PARTS: OBSOLETE CIS STREAMLINING PER D.RENAUD/D.SINISI.
- 6 FOR TE PART NO. 1-1825255-1, LEVER LENGTH IS 15.0 [.591].
- 7 600±300 GRAMS.
- 8 300±200 GRAMS.
- 9 200±100 GRAMS.



RECOMMENDED BOARD LAYOUT
PC LAYOUT TOLERANCE: ±.002

MHS-122 SERIES SWITCH

1-1825255-4	MHS12204TR	TAPE & REEL	SPDT	4.00	SILVER	2-1	-	NONE	-	2-3	-	9	
1-1825255-3	MHS12204TR	TAPE & REEL	SPDT	4.00	SILVER	2-1	-	NONE	-	2-3	-	7	
1-1825255-2	MHS122XXTR	TAPE & REEL	SPDT	4.00	SILVER	2-1	-	NONE	-	2-3	-	8	
1-1825255-1	-	TRAY	SPDT	2.00	SILVER	2-1	-	OFF	-	2-3	-	7	
1-1825255-0	MHS133KG04		SP3T	2.00	GOLD	-	2-1	-	2-3	-	2-4		
1825255-9	MHS133K04		SP3T	2.00	SILVER	-	2-1	-	2-3	-	2-4		
1825255-8	MHS133G04		SP3T	2.00	GOLD	-	2-1	-	2-3	-	2-4		
1825255-7	MHS13304		SP3T	2.00	SILVER	-	2-1	-	2-3	-	2-4		
-	MHS123KG04		SPDT	2.00	GOLD	2-1	-	OFF	-	2-3	-		
OBSOLETE	1825255-6		MHS123K04	SPDT	2.00	SILVER	2-1	-	OFF	-	2-3		-
-	MHS123G04		SPDT	2.00	GOLD	2-1	-	OFF	-	2-3	-		
1825255-5	MHS12304		SPDT	2.00	SILVER	2-1	-	OFF	-	2-3	-		
1825255-4	MHS122KG04		SPDT	4.00	GOLD	2-1	-	NONE	-	2-3	-		
1825255-3	MHS122K04	SPDT	4.00	SILVER	2-1	-	NONE	-	2-3	-			
OBSOLETE	1825255-2	MHS122G04	SPDT	4.00	GOLD	2-1	-	NONE	-	2-3	-		
1825255-1	MHS12204	SPDT	4.00	SILVER	2-1	-	NONE	-	2-3	-			
PART NO.	T&B PART NO.	PACKAGING	TYPE	TRAVEL	PLATING	TERMINALS CONNECTED WHEN SLIDE IS IN POSITION SHOWN.					ACTUATION FORCE		

THIS DRAWING IS A CONTROLLED DOCUMENT.

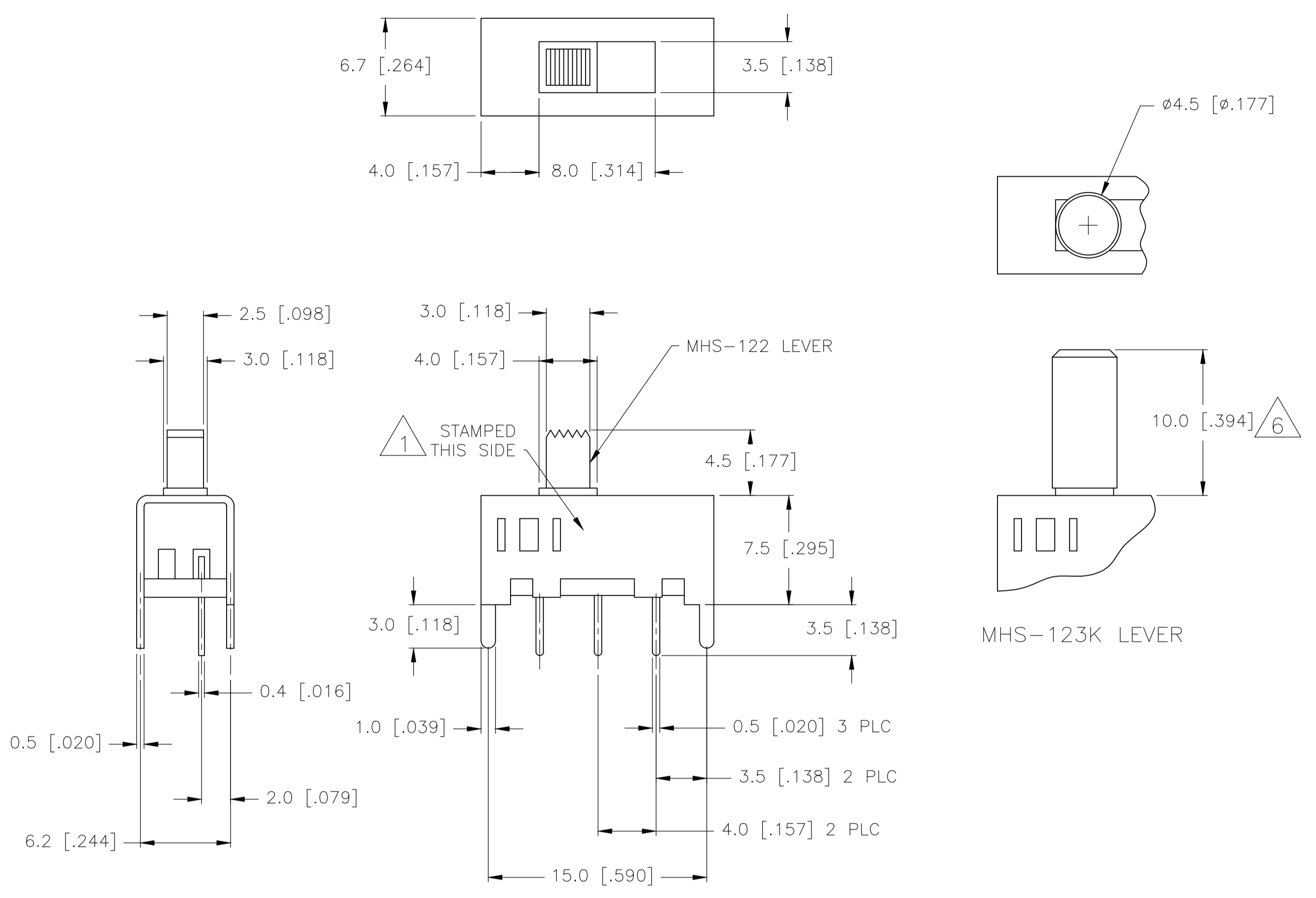
TE Connectivity

SLIDE SWITCH, MHS SERIES, SINGLE POLE, VERTICAL

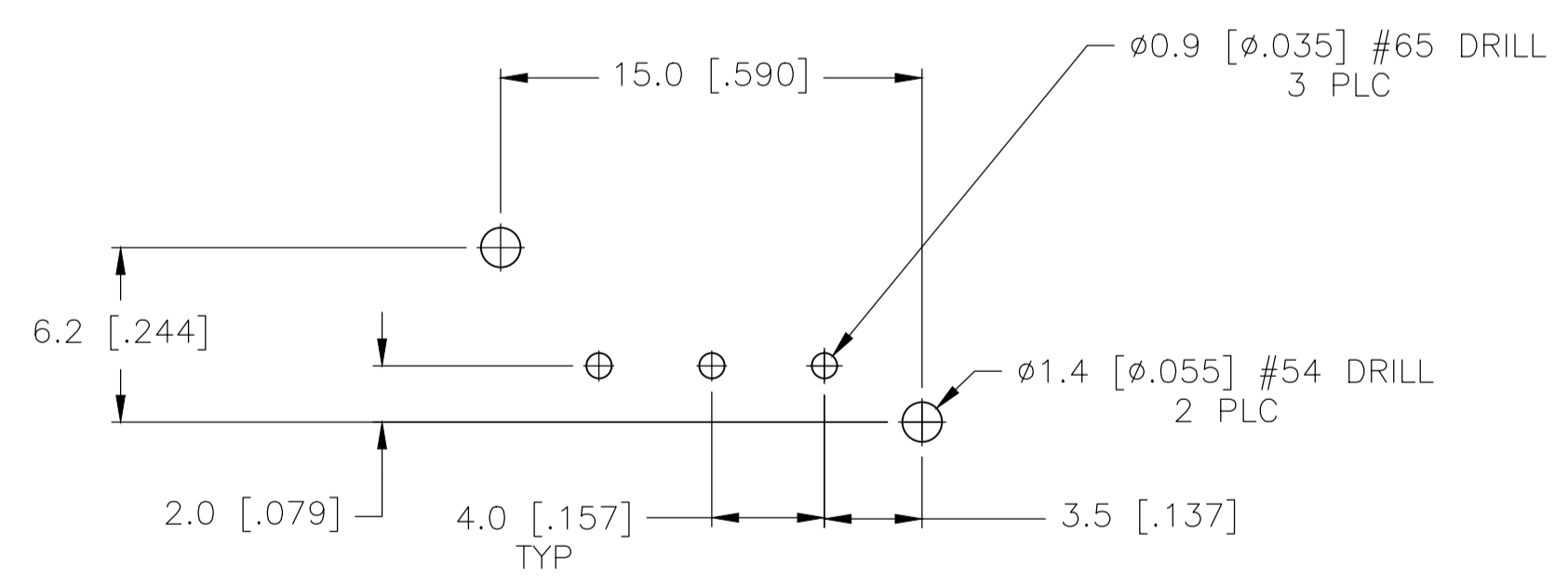
00779 1825255

SCALE 4:1 SHEET 1 OF 2 REV B2

REVISIONS				
P	LYR	DESCRIPTION	DATE	APP'D
-	-	SEE SHEET 1	-	-

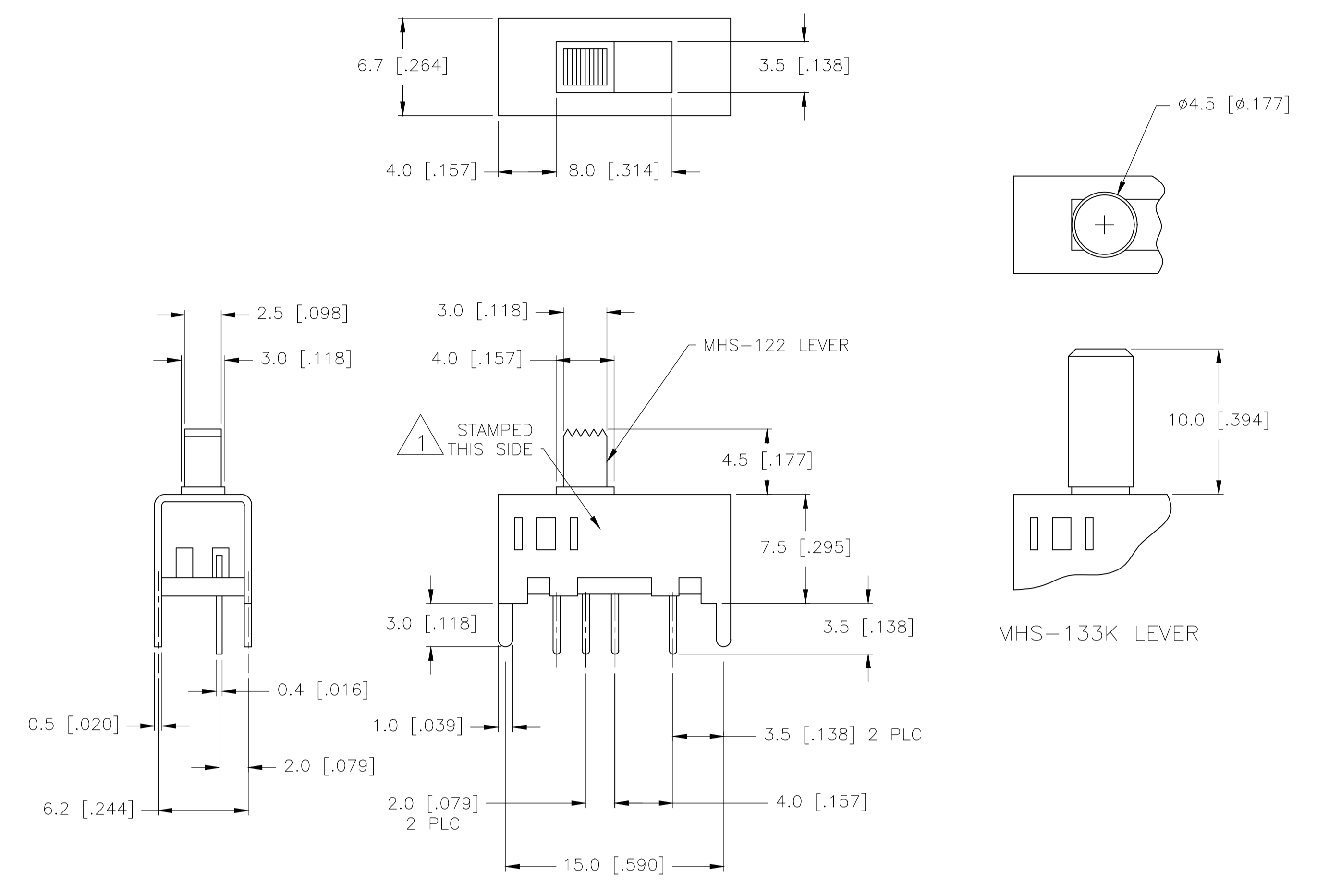


MHS-123K LEVER

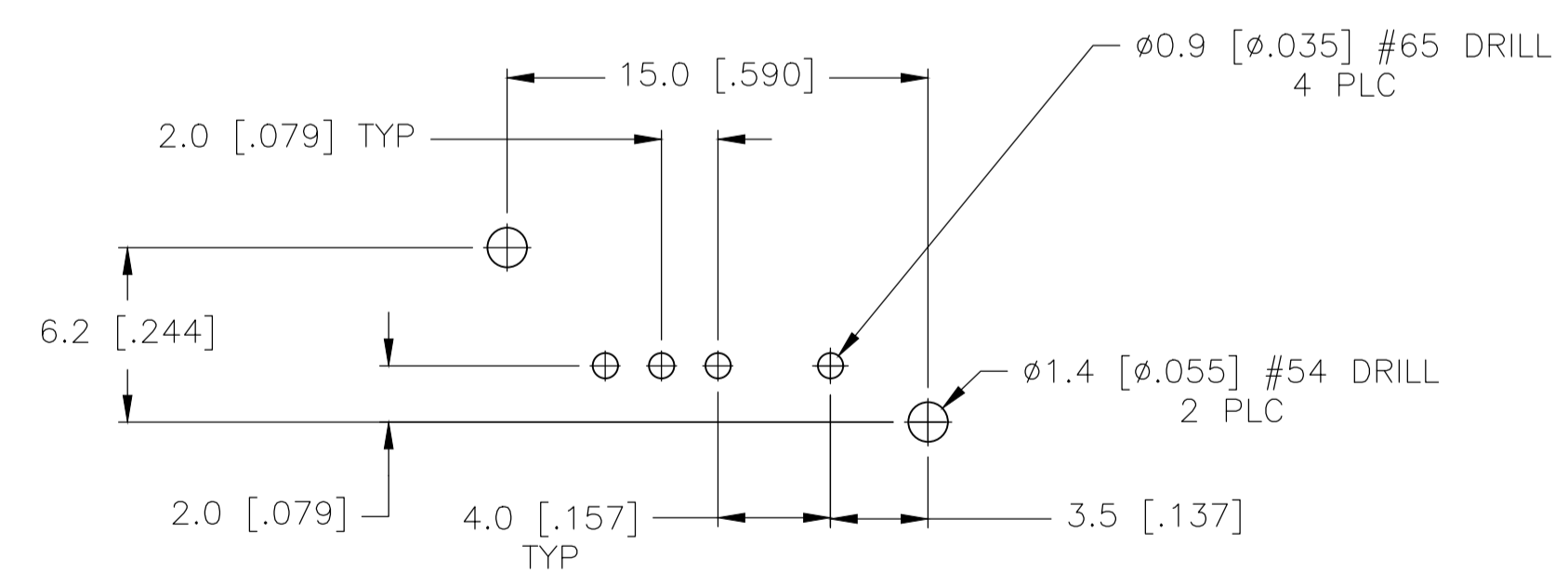


RECOMMENDED BOARD LAYOUT
PC LAYOUT TOLERANCE: ± 0.002

MHS-123 SERIES SWITCH



MHS-133K LEVER



RECOMMENDED BOARD LAYOUT
PC LAYOUT TOLERANCE: ± 0.002

MHS-133 SERIES SWITCH

THIS DRAWING IS A CONTROLLED DOCUMENT.		DIN R BROWN 21DEC05	TE Connectivity
DIMENSIONS: mm [INCHES]		CHK M SARVER 21DEC05	
TOLERANCES UNLESS OTHERWISE SPECIFIED:		APP'D M SARVER 21DEC05	NAME
0 PLC \pm	1 PLC ± 0.3 [.012]	PRODUCT SPEC	SLIDE SWITCH, MHS SERIES, SINGLE POLE, VERTICAL
2 PLC \pm	3 PLC \pm	APPLICATION SPEC	
4 PLC \pm	ANGLES $\pm 1'$	WEIGHT	SIZE CAGE CODE DRAWING NO. RESTRICTED TO
MATERIAL	FINISH	A1 00779 1825255	SCALE 4:1 SHEET 2 OF 2 REV B2
CUSTOMER DRAWING			

Mouser Electronics

Authorized Distributor

Click to View Pricing, Inventory, Delivery & Lifecycle Information:

[TE Connectivity:](#)

[MHS12204](#)